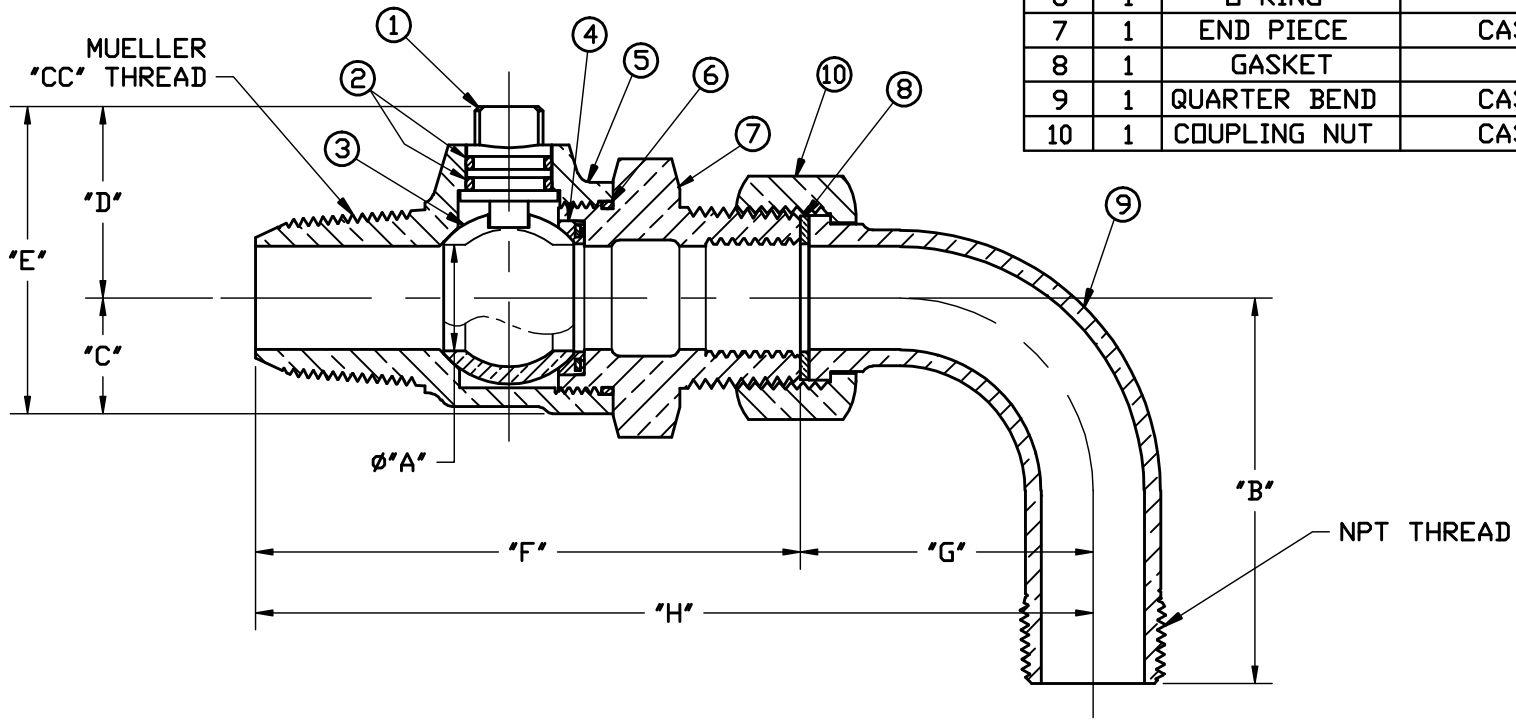


SIZE	ØA	B	C	D	E	F	G	H
3/4								
1	1.000	2.562	1.150	1.591	2.714	4.588	2.453	7.041
1-1/2								
2								

No.	QTY.	DESCRIPTION	MATERIAL
1	1	STEM	CAST LOW LEAD BRASS ALLOY
2	2	O-RING	EPDM D2000
3	1	BALL	CAST LOW LEAD BRASS ALLOY
4	1	GASKET - SEAL	EPDM D2000
5	1	BODY	CAST LOW LEAD BRASS ALLOY
6	1	O-RING	EPDM D2000
7	1	END PIECE	CAST LOW LEAD BRASS ALLOY
8	1	GASKET	FIBER
9	1	QUARTER BEND	CAST LOW LEAD BRASS ALLOY
10	1	COUPLING NUT	CAST LOW LEAD BRASS ALLOY



WAS EXP No. NONE

PART NUMBER
B2000303N
442-MRKTG

FILEPATH: PRDD-ENG\MUELLER\APPROVED\B2000303N

						DRFTR	RWB	2/12/08	Mueller Co.	THIRD ANGLE PROJECTION 	
						CHKR					
						ENGR					
						MGR					
						BY		DATE	UNLESS OTHERWISE NOTED SURFACE PREPARATION: BREAK CORNER(S) ---- .000 SURFACE FINISH -- 000 RMS TOLERANCE(S): LINEAR ----- ± .000 ANGULAR ----- ± 0°00'	REF. No.	SCALE NONE
						STK No.					
						MAT'L:			DESCR. B2000303N MUELLER CORP. STOP BALL VALVE ('CC' x MIP)	PART NUMBER B2000303N	
IL	080142	FINAL RELEASE				RWB					
REV	ECR	DESCRIPTION	DATE	BY	CHKR						
PER EST NO: D3436 EST FIN WT = 0.0000 lbs											