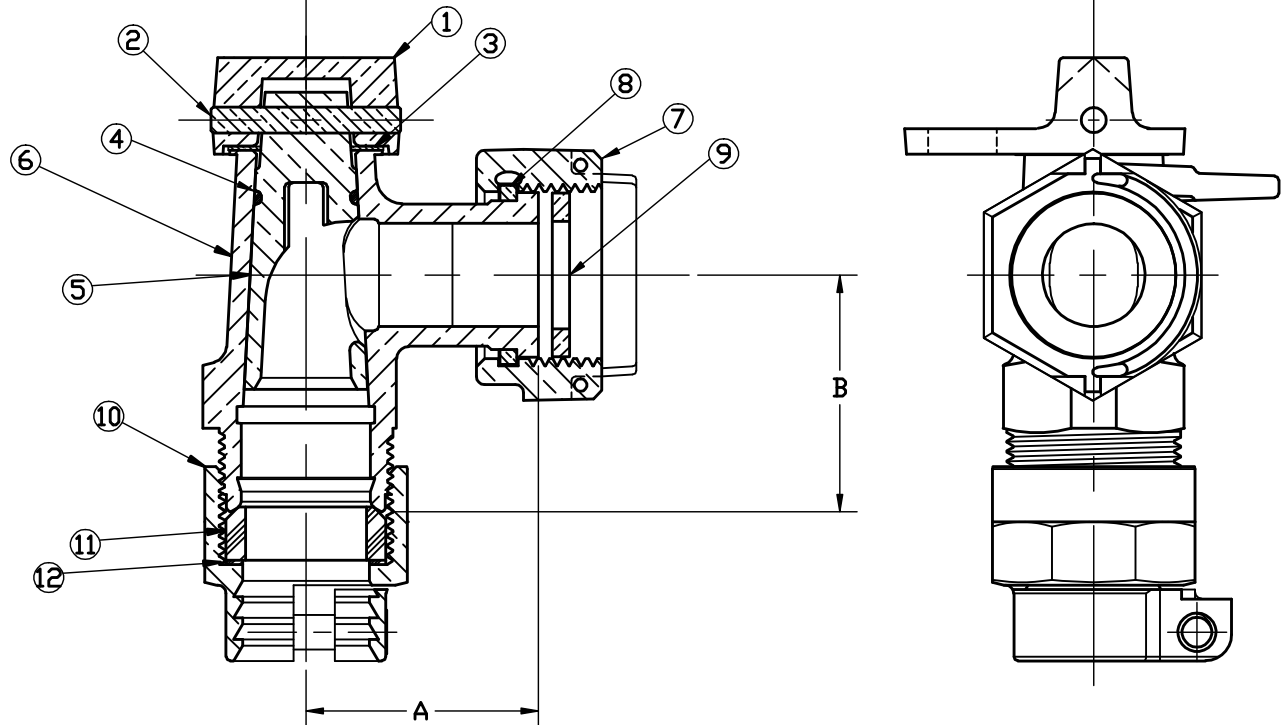


No.	QTY.	DESCRIPTION	MATERIAL	No.	QTY.	DESCRIPTION	MATERIAL
1	1	KEY CAP	CAST BRASS ASTM B62 ALLOY C83600	7	1	SADDLE NUT	CAST BRASS ASTM B62 ALLOY C83600
2	1	PIN	BRASS ASTM B16 ALLOY C36000	8	1	SNAP RING	PHOS BRONZE
3	1	SPRING WASHER	PHOS BRONZE	9	1	RUBBER GASKET	NITRILE ASTM D2000
4	1	O-RING	EPDM ASTM D2000	10	1	PJ CPLG NUT	CAST BRASS ASTM B62 ALLOY C83600
5	1	KEY	CAST LOW LEAD BRASS	11	1	PJ GASKET	ASTM D2000 NITRILE
6	1	BODY	CAST LOW LEAD BRASS	12	1	PJ WASHER	POLYPROPYLENE

METER CONNX SIZE	A	B
5/8 x 3/4	1-11/16"	1-23/32"
5/8 x 3/4 X 3/4	1-11/16"	1-23/32"
5/8 x 3/4 X 1	1-11/16"	1-31/32"
1	1-15/16"	2-1/8"



FILEPATH: PROD-ENG\MUELLER\APPROVED\P14258N

DRF TR	JGarvir	4/7/09	Mueller Co.	UNLESS OTHERWISE NOTED SURFACE PREPARATION: BREAK CORNER(S) ---- .000 SURFACE FINISH -- XX RMS TOLERANCE(S): LINEAR ----- ± .000 ANGULAR ----- ± 0°00'	THIRD ANGLE PROJECTION REF. No. SCALE FULL
CHKR					
ENGR					
MGR					
BY	DATE		STK No:		
REV	ECR	DESCRIPTION	DATE	BY	CHKR
DESCR.			ANGLE METER STOP - LOW LEAD PJ CTS x MTR BRASS		PART NUMBER P14258N
PER EST NO: DXXXX EST FIN WT = 0.0000 lbs					

PART NUMBER
P14258N
442-MRKTG