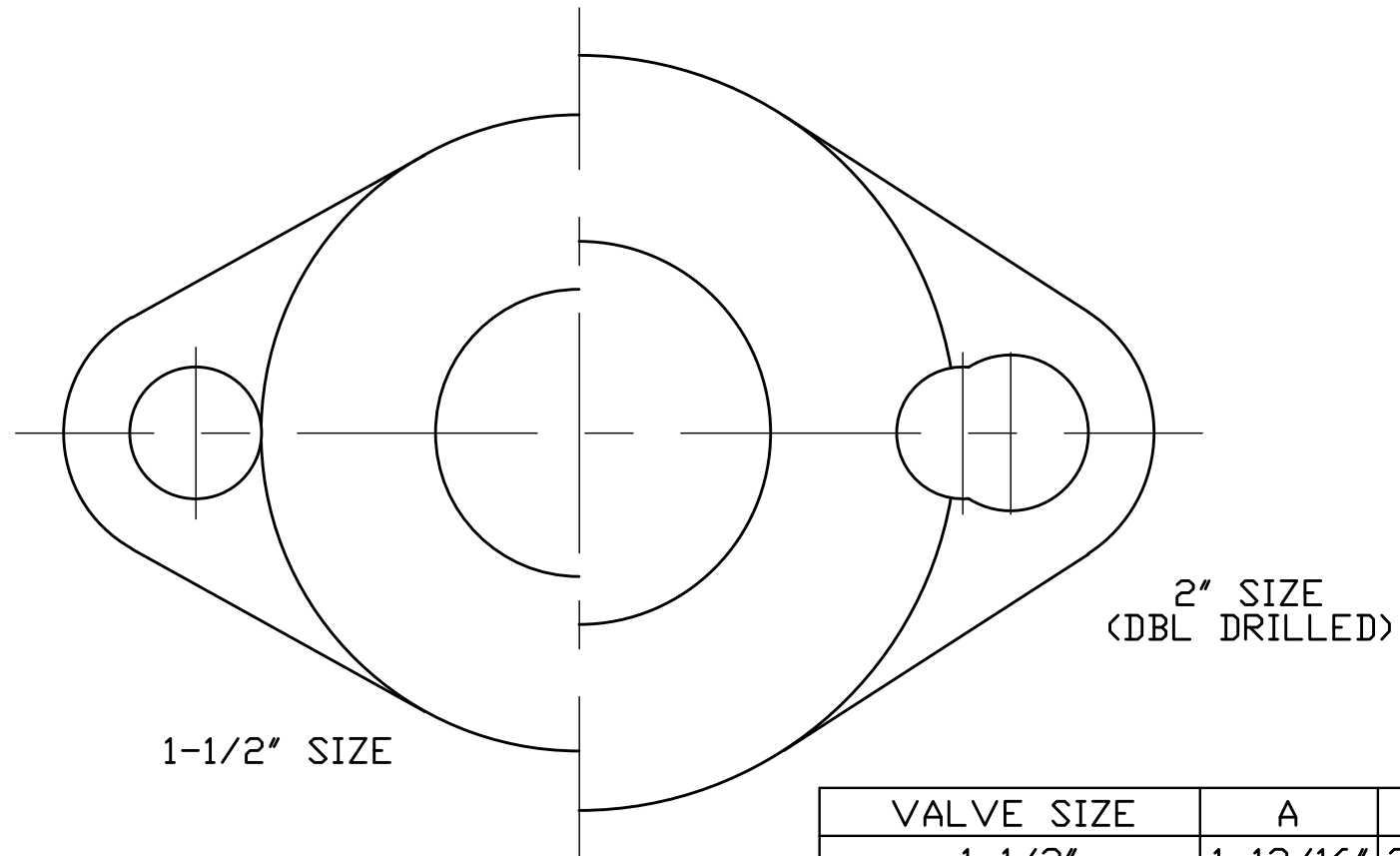


No.	DESCRIPTION	MATERIAL
1	KEY CAP	CAST BRASS ASTM B62 ALLOY C83600
2	PIN	BRASS ASTM B16 ALLOY C36000
3	SPRING WASHER	PHOS BRONZE
4	O-RING	EPDM ASTM D2000
5	KEY	CAST LOW LEAD BRASS ALLOY
6	BODY	CAST LOW LEAD BRASS ALLOY



VALVE SIZE	A	B
1-1/2"	1-13/16"	2-9/16"
2"	2-3/16"	2-7/8"

PART NUMBER
H14286N
44-MRKTNG

FILEPATH: PROD-ENG\MUELLER\ASYSUBMITTALS\H14286N

						DRFTR	RWB	8/26/09	Mueller Co.	UNLESS OTHERWISE NOTED SURFACE PREPARATION: BREAK CORNER(S) ---- .000 SURFACE FINISH -- XX RMS TOLERANCE(S): LINEAR ----- ± .000 ANGULAR ----- ± 0°00'	THIRD ANGLE PROJECTION	
						CHKR					REF. No.	SCALE
						ENGR						
						MGR						
								BY	DATE			
								STK No:				
								MAT'L:				
								DESCR.	GROUND KEY ANGLE METER VALVE LOW LEAD BRASS (FIP x METER FLANGE)		PART NUMBER H14286N	
REV	ECR	DESCRIPTION	DATE	BY	CHKR							