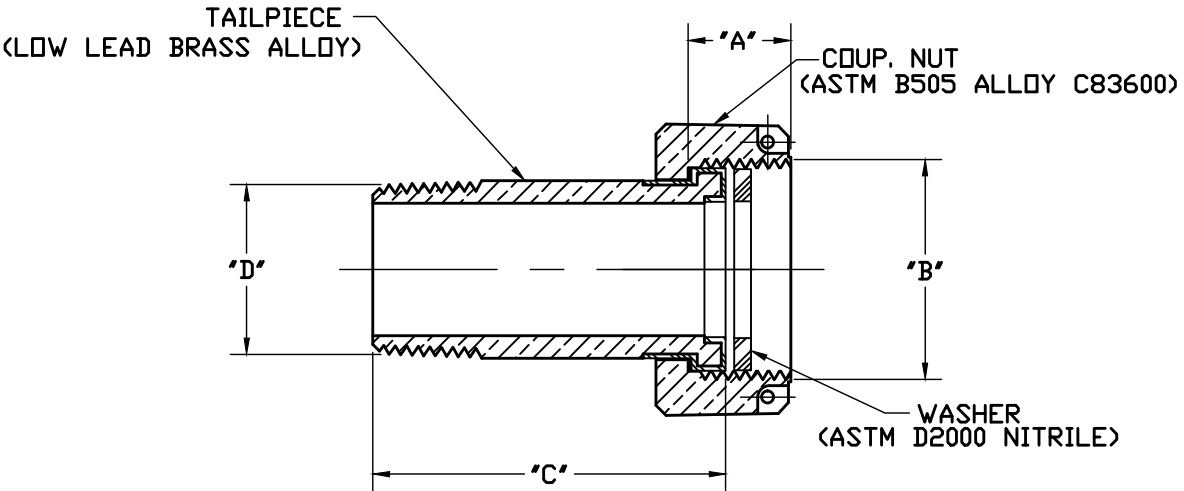

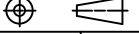


| SIZE | DIMENSION "A" | DIMENSION "B" | DIMENSION "C" | DIMENSION "D" |
|------|---------------|--------------------------|---------------|---------------------|
| 3/4" | .710 | 1.3156-11-1/2 NPF THREAD | 2.547 | 3/4-14 NPT THREAD |
| 1" | .773 | 1.6536-11-1/2 NPF THREAD | 2.656 | 1-11-1/2 NPT THREAD |



NOTE: ALL WETTED PARTS ARE LOW LEAD BRASS ALLOY

FILEPATH: PROD-ENG\MUELLER\ASYSUBMITTALS\H10871N

| | | | | | | | |
|---|---------|-------------|---|---|------|---|---------|
| DRFTR | JGarvin | 9/17/09 |  | | | | |
| CHKR | | | | | | | |
| ENGR | | | | | | | |
| MGR | | | | | | | |
| | | | UNLESS OTHERWISE NOTED | THIRD ANGLE PROJECTION | | | |
| | | | SURFACE PREPARATION: |  | | | |
| | | | BREAK CORNER(S) ---- .000 | | | | |
| | | | SURFACE FINISH -- XX RMS | REF. No. | | | |
| | | | TOLERANCE(S): | SCALE | | | |
| | | | LINEAR ----- ± .000 | FULL | | | |
| | | | ANGULAR ----- ± 0°00' | | | | |
| | | | STK No: | | | | |
| | | | MAT'L: | | | | |
| | | | DESCR. | PART NUMBER | | | |
| REV | ECR | DESCRIPTION | DATE | BY | CHKR | LOW LEAD BRASS INSULATED TAILPIECE ASS'Y | H10871N |
| PER EST NO: DXXXX EST FIN WT = 0.0000 lbs | | | | | | | |

PART NUMBER
H10871N
 WAS EXP NO:
44²-MRKTNG