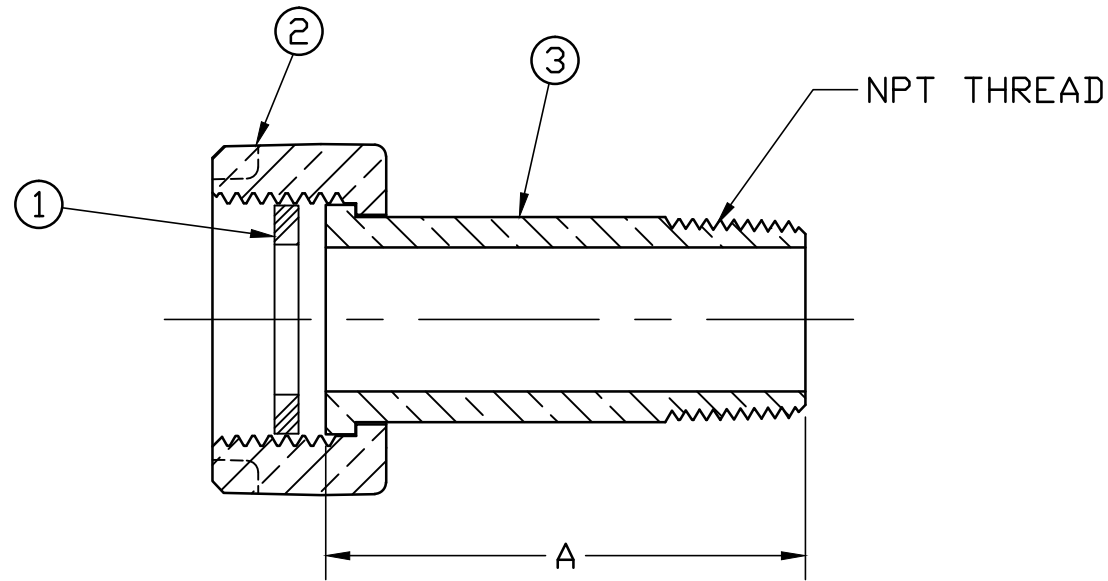


No.	QTY.	DESCRIPTION	MATERIAL
1	1	RUBBER GASKET	NITRILE D2000
2	1	COUP. NUT	CAST BRASS ASTM B62 ALLOY C83600
3	1	TAILPIECE	LOW LEAD BRASS ALLOY C89833



METER COUP. SIZE	A	MIP SIZE
5/8 x 1/2	2.375	1/2
5/8 x 3/4 x 3/4	2.500	3/4
1	2.625	1

NOTE: ALL WETTED PARTS ARE LOW LEAD BRASS ALLOY

FILEPATH: PROD-ENG\MUELLER\ASYSUBMITTALS\H10890N

DRFTR	JGarvin	9/17/09	Mueller Co.		
CHKR					
ENGR					
MGR					
			UNLESS OTHERWISE NOTED	THIRD ANGLE PROJECTION	
			SURFACE PREPARATION:		
			BREAK CORNER(S) ----- .000		
			SURFACE FINISH -- 000 RMS	REF. No.	
			TOLERANCE(S):	SCALE	
			LINEAR ----- ± .000	NONE	
			ANGULAR ----- ± 0°00'		
			STK No:		
			MAT'L:		
			DESCR.		
			STRAIGHT METER COUPLING	DWG NUMBER	
			LOW LEAD BRASS (METER x MIP)	H10890N	
REV	ECR	DESCRIPTION	DATE	BY	CHKR
PER EST NO: DXXXX EST FIN WT = 0.0000 lbs					

DWG NUMBER
H10890N
442-MRKTG

TITLE TO AND OWNERSHIP OF THIS ENGINEERING DATA REMAINS IN Mueller Co. NO USE IS TO BE MADE OF THIS DATA EXCEPT AS SPECIFICALLY AUTHORIZED BY Mueller Co. ASSENT ON THE PART OF THE RECIPIENT TO THESE CONDITIONS IS PRESUMED