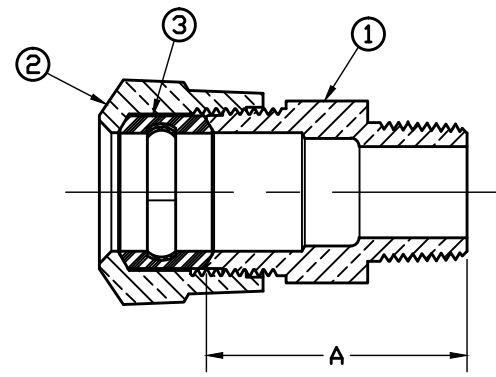


No.	QTY.	DESCRIPTION	MATERIAL
1	1	SPUD	CAST LOW LEAD BRASS ALLOY
2	1	CONN. NUT	CAST BRASS ASTM B62 ALLOY C83600
3	1	CTS GSKT SUB	SBR D2000 - GSKT 410ss - BAND



SIZE	A
1/2	1.910
1/2x3/4	1.750
3/4	1.965
3/4x1	2.125
1	2.156
1x3/4	1.976
1-1/4	2.312
1-1/4x1	2.194
1-1/2	2.375
1-1/2x1	2.880
2	2.625
2x1-1/2	2.453

PART NUMBER  
H15428N  
442-MRKTG

FILEPATH: PRODD-ENG\MUELLER\ASYSUBMITTALS\H15428N

DRFTR	JGarvir	9/17/09	<b>Mueller Co.</b>		
CHKR					
ENGR					
MGR					
			UNLESS OTHERWISE NOTED	THIRD ANGLE PROJECTION	
			SURFACE PREPARATION:		
			BREAK CORNER(S) ---- .000		
			SURFACE FINISH -- 000 RMS	REF. No.	
			TOLERANCE(S):	SCALE	
			LINEAR ----- ± .000	NONE	
			ANGULAR ----- ± 0°00'		
			STK No:		
			MAT'L:		
REV	ECR	DESCRIPTION	DATE	BY	CHKR
DESCR. STRAIGHT SERVICE FITTING LOW LEAD BRASS (110 CTS x MIP)					
PER EST NO: DXXXX EST FIN WT = 0.0000 lbs					PART NUMBER H15428N