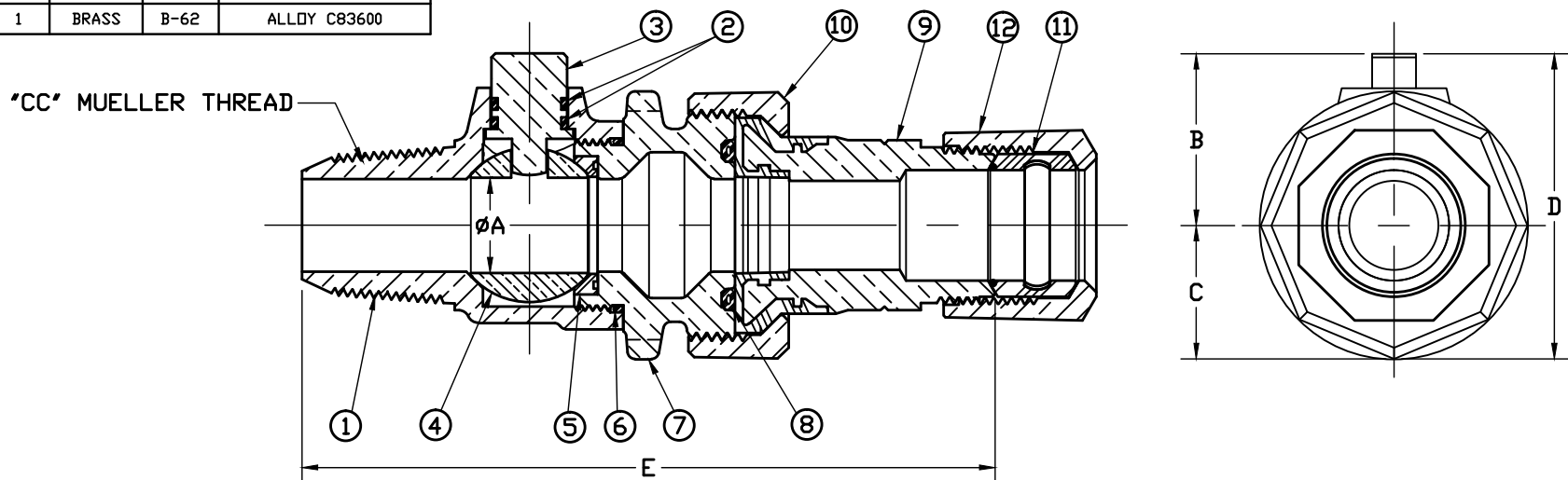


No.	DESCRIPTION	REQ'D	MATERIAL	ASTM	ALLOY OR TYPE
1	BODY	1	BRASS		CAST LOW LEAD ALLOY
2	O-RING	2	RUBBER	D-2000	EP
3	STEM	1	BRASS		LOW LEAD ALLOY
4	BALL	1	BRASS		LOW LEAD ALLOY
5	GASKET	1	RUBBER	D-2000	NITRILE
6	O-RING	1	RUBBER	D-2000	EP
7	END PIECE	1	BRASS		CAST LOW LEAD ALLOY
8	O-RING	1	RUBBER	D-2000	NITRILE
9	INS. TAILPC ASS'Y	1	BRASS w/ NYLON		CAST LOW LEAD ALLOY
10	CDUP. NUT	1	BRASS	B-62	ALLOY C83600
11	CTS GSKT ASSY	1	RUBBER	D-2000	SBR
12	CONN NUT	1	BRASS	B-62	ALLOY C83600

SIZE	ØA	B	C	D	E
3/4"	.750	1.391	1.078	2.469	5.599
1"	1.000	1.591	1.353	2.944	6.334
2"	2.010	2.558	2.165	4.723	8.988



NOTE: ALL WETTED PARTS ARE LOW LEAD BRASS ALLOY

FILEPATH: PROD-ENG\MUELLER\ASYSUBMITTALS\N35008N

DRFTR	JGarvin	9/17/09			
CHKR					
ENGR					
MGR					
UNLESS OTHERWISE NOTED			THIRD ANGLE PROJECTION		
SURFACE PREPARATION:					
BREAK CORNER(S) ---- .000					
SURFACE FINISH -- 000 RMS			REF. No.	SCALE	
TOLERANCE(S):			NONE		
LINEAR ----- ± .000					
ANGULAR ----- ± 0°00'					
STK No:					
MAT'L:					
DESCR:					
BALL CORP VALVE ASS'Y LOW LEAD BRASS			PART NUMBER		
CC x INSULATED UNION CTS MUELLER 110			N35008N		
REV	ECR	DESCRIPTION	DATE	BY	CHKR
PER EST NO: XXXXX EST FIN WT = 0.0000 lbs					

PART NUMBER
 N35008N
 80-MRKTNG