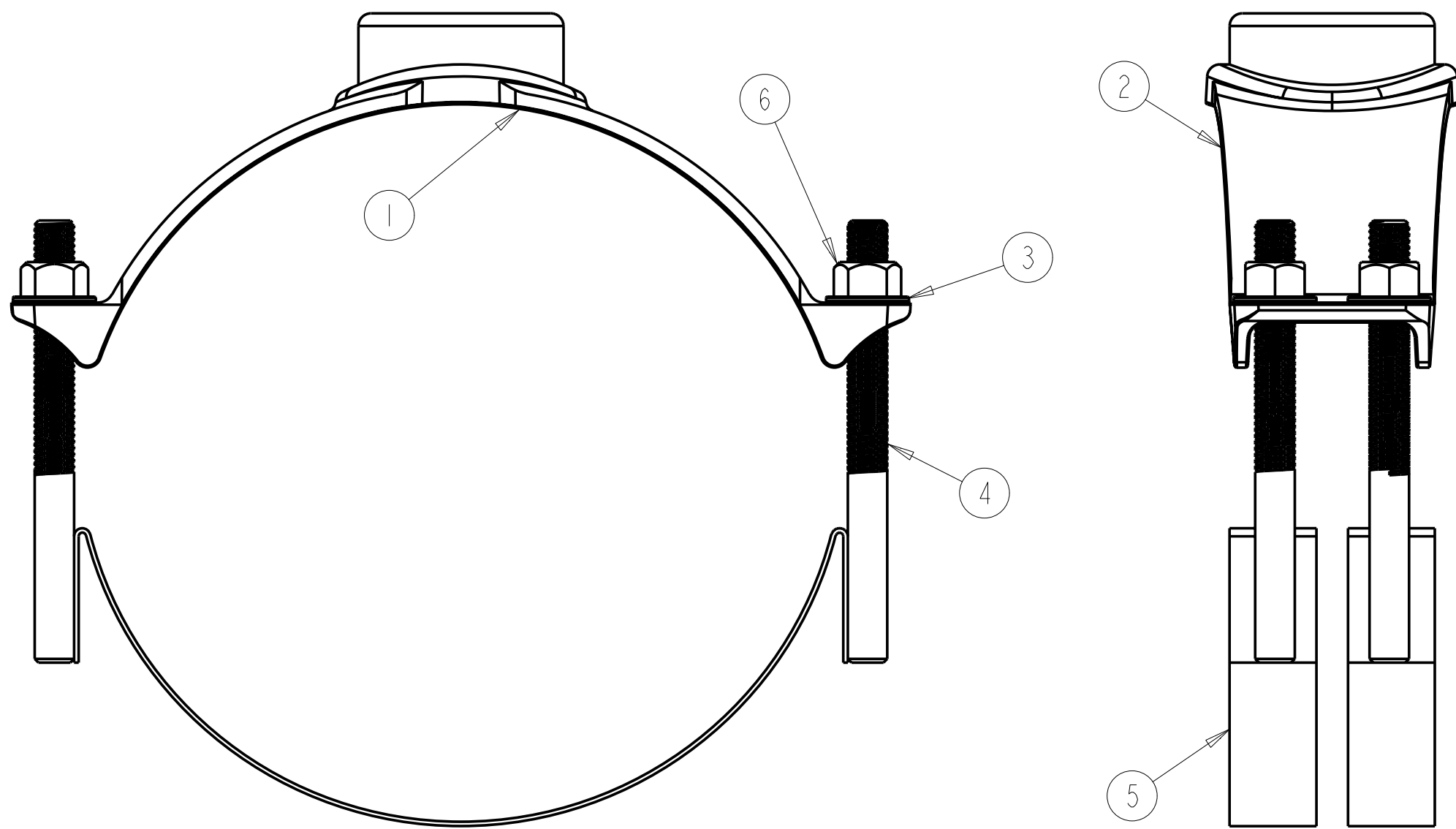
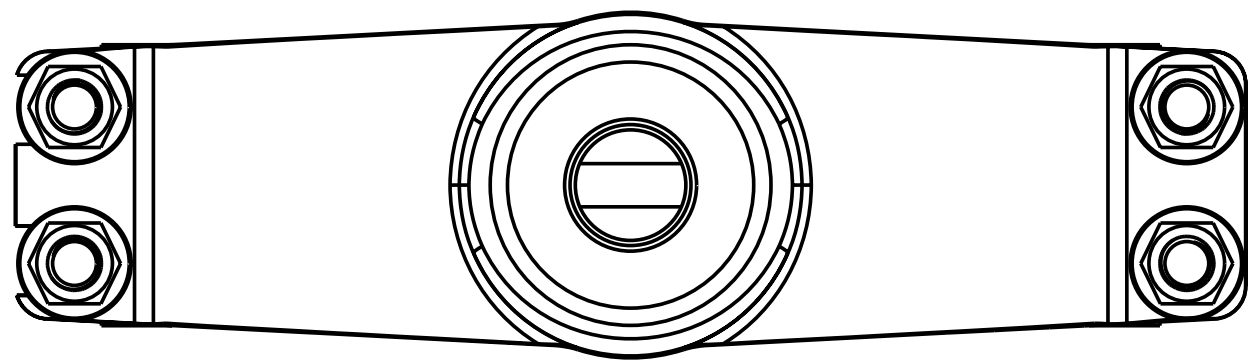




PIPE O.D. RANGE		KIND AND SIZE OF PIPE		DOUBLE BRONZE STRAPS WITH AWWA TAPER THREAD (C.C.)						DOUBLE STAINLESS STEEL STRAPS WITH AWWA TAPER THREAD (C.C.)							
INCH	MM	A-C	CAST IRON, DUCTILE IRON, PVC C900	BASE CATALOG NUMBER	SIZE OF TAPPING (ADD TO "BASE" TO COMPLETE CATALOG NUMBER)						BASE CATALOG NUMBER	SIZE OF TAPPING (ADD TO "BASE" TO COMPLETE CATALOG NUMBER)					
					5/8"	3/4"	1"	1-1/4"	1-1/2"	2"		5/8"	3/4"	1"	1-1/4"	1-1/2"	2"
4.74-5.32	121.0-135.0	**	4"	BR 2 B 0474 CC	062	075	100	125	150	200	BR 2 S 0474 CC	062	075	100	125	150	200
6.84-7.45	174.0-189.0		6"	BR 2 B 0684 CC	062	075	100	125	150	200	BR 2 S 0684 CC	062	075	100	125	150	200
8.99-9.67	229.0-245.0		8"	BR 2 B 0899 CC	062	075	100	125	150	200	BR 2 S 0899 CC	062	075	100	125	150	200
11.04-12.12	281.0-307.0		10"	BR 2 B 1104 CC	062	075	100	125	150	200	BR 2 S 1104 CC	062	075	100	125	150	200
13.14-14.58	334.0-370.0		12"	BR 2 B 1314 CC	062	075	100	125	150	200	BR 2 S 1314 CC	062	075	100	125	150	200
15.22-16.88	386.6-428.7		14"	BR 2 B 1522 CC	-	075	100	-	150	200	BR 2 S 1522 CC	-	075	100	-	150	200
17.32-19.19	439.9-487.4		16"	BR 2 B 1732 CC	-	075	100	-	150	200	BR 2 S 1732 CC	-	075	100	-	150	200

PIPE O.D. RANGE		KIND AND SIZE OF PIPE		DOUBLE BRONZE STRAPS WITH AWWA I.P. THREAD (F.I.P.T.)						DOUBLE STAINLESS STEEL STRAPS WITH AWWA I.P. THREAD (F.I.P.T.)							
INCH	MM	A-C	CAST IRON, DUCTILE IRON, PVC C900	BASE CATALOG NUMBER	SIZE OF TAPPING (ADD TO "BASE" TO COMPLETE CATALOG NUMBER)						BASE CATALOG NUMBER	SIZE OF TAPPING (ADD TO "BASE" TO COMPLETE CATALOG NUMBER)					
					3/4"	1"	1-1/4"	1-1/2"	2"	3/4"		1"	1-1/4"	1-1/2"	2"		
4.74-5.32	121.0-135.0	**	4"	BR 2 B 0474 IP	075	100	125	150	200	BR 2 S 0474 IP	075	100	125	150	200		
6.84-7.45	174.0-189.0		6"	BR 2 B 0684 IP	075	100	125	150	200	BR 2 S 0684 IP	075	100	125	150	200		
8.99-9.67	229.0-245.0		8"	BR 2 B 0899 IP	075	100	125	150	200	BR 2 S 0899 IP	075	100	125	150	200		
11.04-12.12	281.0-307.0		10"	BR 2 B 1104 IP	075	100	125	150	200	BR 2 S 1104 IP	075	100	125	150	200		
13.14-14.58	334.0-370.0		12"	BR 2 B 1314 IP	075	100	125	150	200	BR 2 S 1314 IP	075	100	125	150	200		
15.22-16.88	386.6-428.7		14"	BR 2 B 1522 IP	075	100	-	150	200	BR 2 S 1522 IP	075	100	-	150	200		
17.32-19.19	439.9-487.4		16"	BR 2 B 1732 IP	075	100	-	150	200	BR 2 S 1732 IP	075	100	-	150	200		



PARTS LIST					
ITEM	DESCRIPTION	BR2S MATERIAL	BR2B MATERIAL	ASTM	TYPE
1	O - RING	RUBBER	RUBBER	D2000	***
2	SADDLE	BRONZE	BRONZE	B62	C83600
3	WASHER	STAINLESS STEEL	STAINLESS STEEL		304A
4	STUD	STAINLESS STEEL	SILICON BRONZE		304
5	STRAP	STAINLESS STEEL	SILICON BRONZE		
6	NUT	STAINLESS STEEL	STAINLESS STEEL	A194	304

\*\*\* MUELLER RUBBER CODE R91

\*\* THE OUTSIDE DIAMETER OF A-C PIPE VARIES FROM MANUFACTURER TO MANUFACTURER. TO MAKE CERTAIN YOU SELECT THE PROPER CLAMP:

- 1) DETERMINE THE O.D. OF THE PIPE AT THE POINT OF SADDLE INSTALLATION;
- 2) FROM THE PIPE O.D. RANGE COLUMN OF THE ABOVE CHART, CHOOSE A SADDLE THAT HAS A PIPE O.D. RANGE THAT INCLUDES THE DETERMINED PIPE DIAMETER.

**MUELLER CONFIDENTIAL**  
**TITLE TO AND OWNERSHIP OF THIS ENGINEERING DATA REMAINS IN MUELLER CO. NO USE IS TO BE MADE OF THIS DATA EXCEPT AS SPECIFICALLY AUTHORIZED BY MUELLER CO. ASSENT ON THE PART OF RECIPIENTS TO THESE CONDITIONS IS PRESUMED.**

DR. BY	MCB	09/12/08	UNLESS OTHERWISE NOTED	THIRD ANGLE PROJECTION	C.B. NO.
CHKR	CGH	09/12/08	BREAK CAST CORNER(S)---		
ENGR	JWB	09/12/08	BREAK MACH CORNER(S)---	PURCH.	FINISH
MGR			TOLERANCES	REF. NO.	PATT. NO.
MFG			UNLESS OTHERWISE NOTED	SCALE	
TOOL			LINEAR	ANGULAR	NONE
FDRY			±	±	STR. NO.

**Mueller Co.**

DESCR. BR2S & BR2B SERIES BRONZE SERVICE SADDLES - DOUBLE STRAP

NUMBER 6814

**APPROVED**  
 By Graham Hines at 2:35 pm, Sep 12, 2008