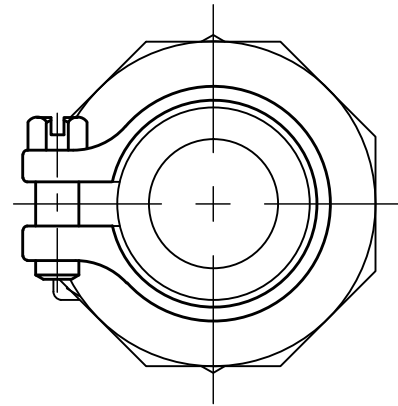
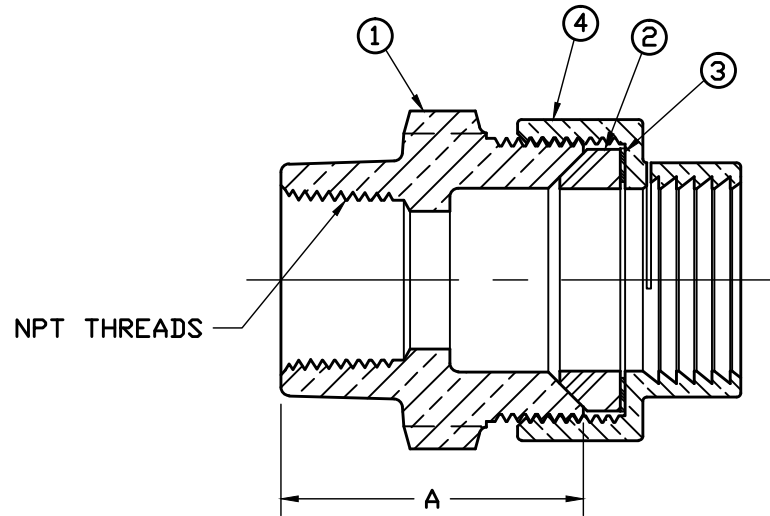


No.	QTY	DESCRIPTION	MATERIAL
1	1	SPUD	CAST LOW LEAD BRASS ALLOY
2	1	COMP GSKT	NITRILE ASTM D2000
3	1	WASHER	POLYPROPYLENE
4	1	CPLG NUT	CAST BRASS ASTM B62 ALLOY C83600



SIZE	A
1"	2.19
1' x 3/4"	2.14
1 1/2"	2.64
1 1/2' x 3/4"	2.68
1 1/2' x 1"	2.88
2"	2.69

**NOTE:** ALL WETTED PARTS ARE LOW LEAD BRASS ALLOY

FILEPATH: PROD-ENG\MUELLER\ASYSUBMITTALS\V15442N

						DRFTR	RWB	12/21/09	<b>Mueller Co.</b>	UNLESS OTHERWISE NOTED SURFACE PREPARATION: BREAK CORNER(S) ---- .000 SURFACE FINISH -- XX RMS TOLERANCE(S): LINEAR ----- ± .000 ANGULAR ----- ± 0°00'	THIRD ANGLE PROJECTION		
						CHKR					⊕	REF. No.	SCALE
						ENGR							
						MGR							
							BY	DATE	STK No:				
									MAT'L:				
REV	ECR	DESCRIPTION	DATE	BY	CHKR	DESCR. STRAIGHT SERVICE FITTING LOW LEAD BRASS (FIP x PJ (IPS PVC))						PART NUMBER V15442N	
PER EST NO: DXXXX EST FIN WT = 0.0000 lbs													

PART NUMBER  
V15442N  
442-MRKTNG