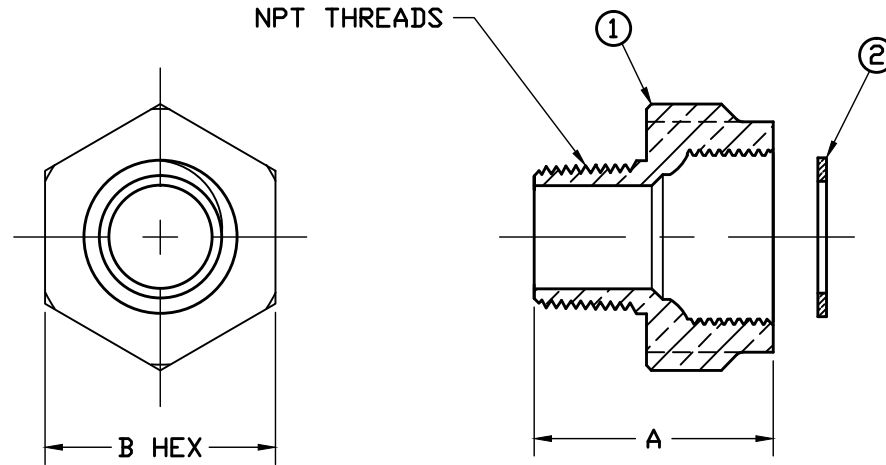


No.	DESCRIPTION	MATERIAL
1	BODY	CAST LOW LEAD BRASS ALLOY
2	GASKET	ASTM B152 UNS C11000 COPPER



SIZE	A	B
3/4	1.73	1.67
1	2.07	2.12

**NOTE: ALL WETTED PARTS ARE LOW LEAD BRASS ALLOY**

FILEPATH: PROD-ENG\MUELLER\ASYSUBMITTALS\H15098N

						DRFTR	RWB	12/21/09	<b>Mueller Co.</b>	
						CHKR				
						ENGR				
						MGR				
							BY	DATE	UNLESS OTHERWISE NOTED SURFACE PREPARATION: BREAK CORNER(S) ---- .000 SURFACE FINISH -- XX RMS TOLERANCE(S): LINEAR ----- ± .000 ANGULAR ----- ± 0°00'	
							STK No:			
							MAT'L:		THIRD ANGLE PROJECTION	
							DESCR.	CORPORATION STOP COUPLING LOW LEAD BRASS (MIP x CS)	REF. No.	
							REV	ECR	DESCRIPTION	SCALE
							DATE	BY	CHKR	NONE
							PER EST NO:	DXXXX	EST FIN	WT = 0.0000 lbs
										PART NUMBER H15098N

PART NUMBER  
H15098N  
442-MRKTNG