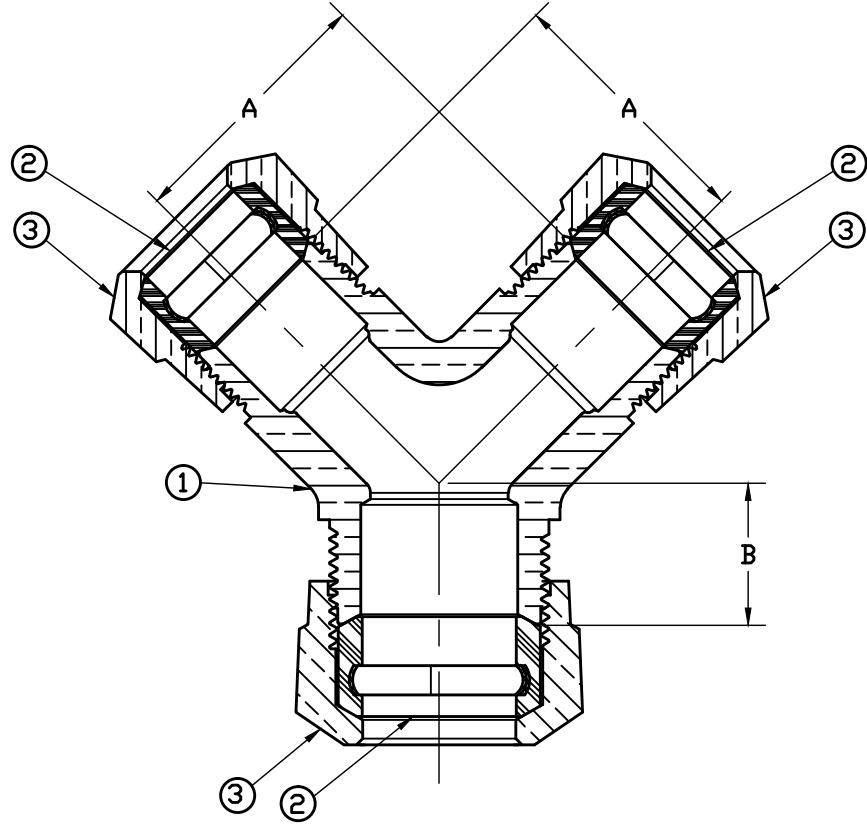


No.	DESCRIPTION	MATERIAL DESCRIPTION
1	BRANCH CONN	CAST LOW LEAD BRASS ALLOY
2	GASKET	ASTM D2000 (SBR)&410 STAINLESS STL
3	CONN NUT	CAST BRASS ASTM B62 ALLOY C83600

VALVE SIZE	A	B
3/4"x1'	1.91	1.03
1"x1-1/2'	2.38	1.40
1"x2'	2.38	1.59



**NOTE:** ALL WETTED PARTS ARE LOW LEAD BRASS ALLOY

FILEPATH: PROD-ENG\MUELLER\ASYSUBMITTALS\H15343N

				DRF TR J Garvin	12/21/09	<b>Mueller Co.</b>		UNLESS OTHERWISE NOTED SURFACE PREPARATION: BREAK CORNER(S) ---- .000 SURFACE FINISH -- XX RMS TOLERANCE(S): LINEAR ----- ± .000 ANGULAR ----- ± 0°00'		THIRD ANGLE PROJECTION			
				CHKR								REF. No.    SCALE	
				ENGR									
				MGR									
				BY	DATE	STK No:							
				MAT'L:		DESCR.		Y-BRANCH CONNECTION		PART NUMBER			
						LOW LEAD BRASS (110CTS ENDS)		H15343N					
REV    ECR    DESCRIPTION    DATE    BY    CHKR				PER EST NO: DXXXX    EST FIN WT = 0.0000 lbs									

PART NUMBER  
**H15343N**  
 442-MRKTG