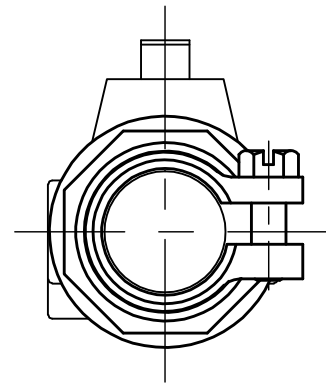
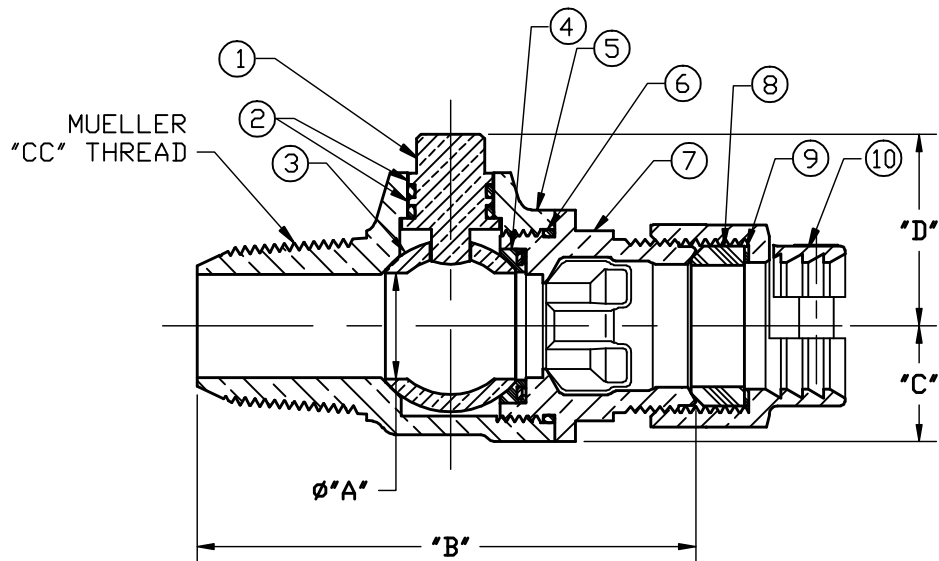


No.	DESCRIPTION	MATERIAL
1	STEM	LOW LEAD BRASS ALLOY
2	O-RING	EPDM D2000
3	BALL	LOW LEAD BRASS ALLOY
4	GASKET - SEAL	NITRILE D2000
5	BODY	CAST LOW LEAD BRASS ALLOY
6	O-RING	EPDM D2000
7	END PIECE	CAST LOW LEAD BRASS ALLOY
8	PJ GASKET	BUNA-N ASTM D2000
9	PJ WASHER	POLYPROPYLENE
10	CLPG NUT SUB	CAST BRASS ASTM B62 ALLOY C83600



SIZE	ØA	B	C	D
3/4	.75	3.62	.84	1.36
3/4x1	.75	3.86	.84	1.39
1	1.00	4.65	1.15	1.56
1-1/2	1.50	5.16	1.50	2.12
2	2.00	5.61	1.82	2.44

NOTE: ALL WETTED PARTS ARE LOW LEAD BRASS ALLOYS

FILEPATH: PROD-ENG/MUELLER/ASYSUBMITTALS/P25008N

DRF TR	JGarvin	12/18/08	Mueller Co.	
CHKR				
ENGR				
MGR				
BY	DATE		UNLESS OTHERWISE NOTED	THIRD ANGLE PROJECTION
STK No:			SURFACE PREPARATION:	REF. No.
MAT'L:			BREAK CORNER(S) ---- .000	SCALE
DESCR.			SURFACE FINISH -- XX RMS	NONE
REV	ECR	DESCRIPTION	TOLERANCE(S):	
			LINEAR ----- ± .000	
			ANGULAR ----- ± 0°00'	
PER EST NO: DXXXX EST FIN WT = 0.0000 lbs			MUELLER CORP. STOP BALL VALVE LOW LEAD BRASS ("CC" x PJ CTS)	
			PART NUMBER P25008N	

PART NUMBER
P25008N
442-MRKTG