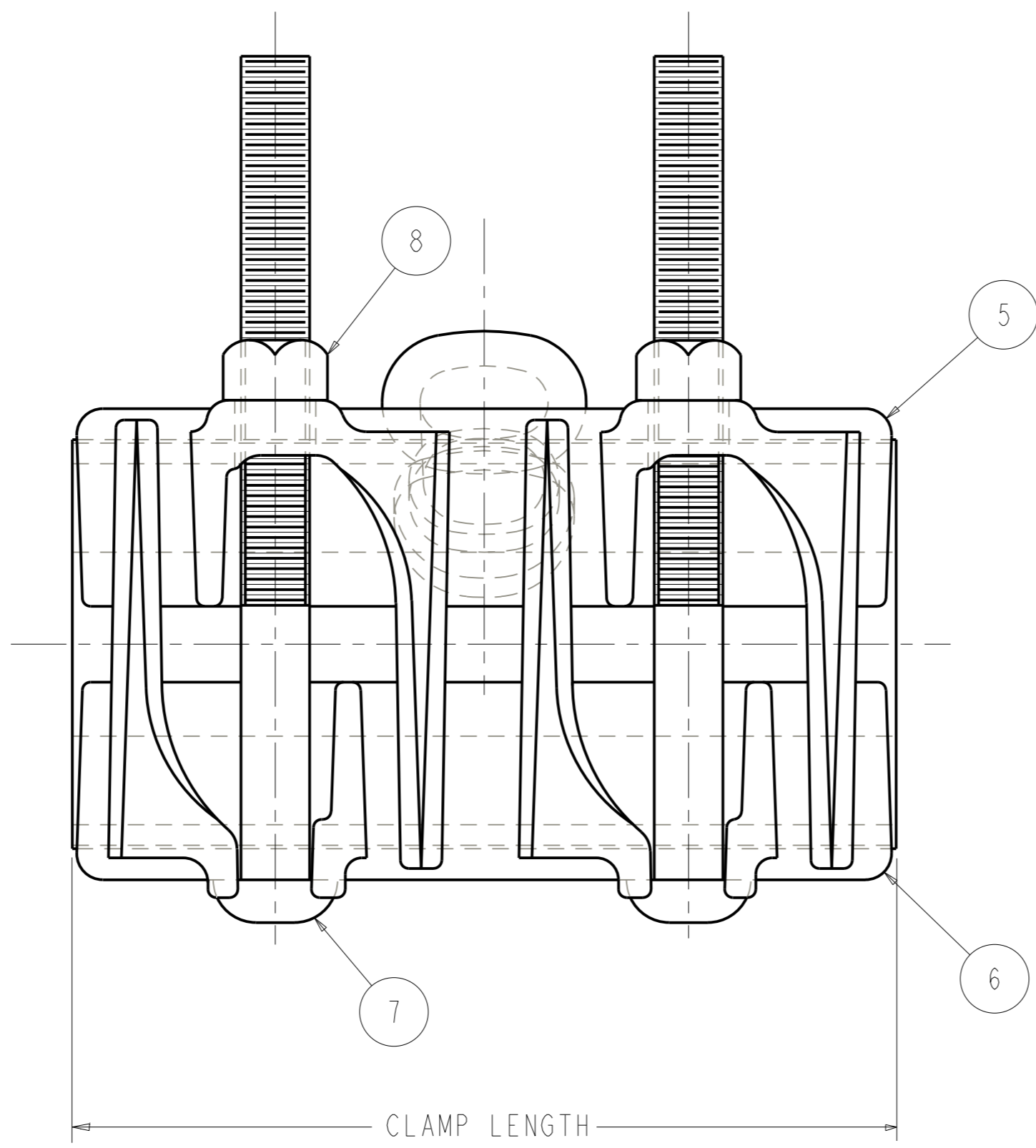
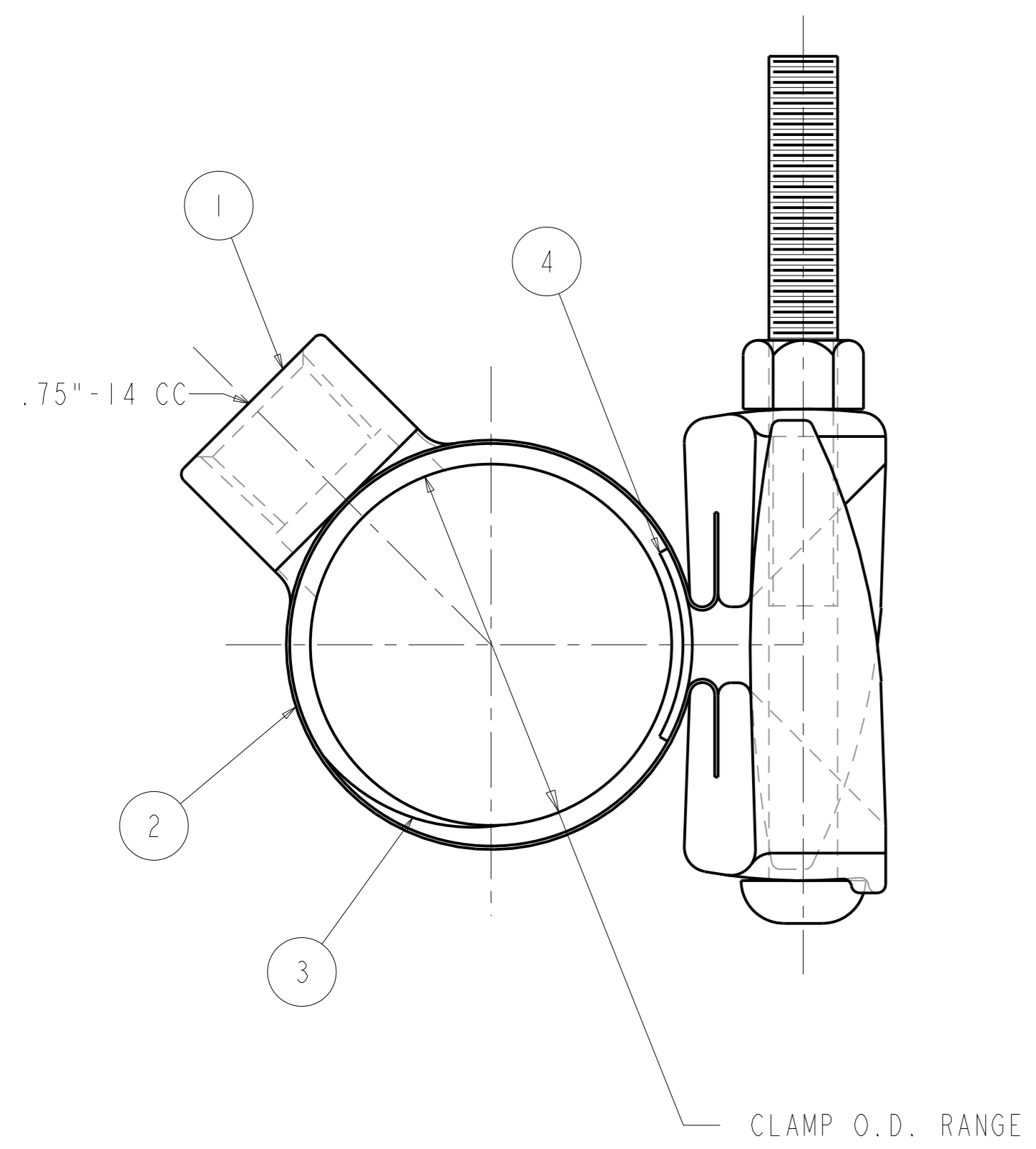


6636 502 SERIES SERVI-SEAL PIPE REPAIR CLAMPS



PARTS LIST				
ITEM	DESCRIPTION	MATERIAL	ASTM	
1	OUTLET BUSHING	STAINLESS STEEL	A269	TYPE 304 ANNEALED
2	BAND	STAINLESS STEEL	A240	TYPE 302/304
3	GASKET	RUBBER	D2000	*
4	GAP BRIDGE	STAINLESS STEEL	A240	TYPE 302/304
5	TOP LUG	DUCTILE IRON	A536	GRADE 60-40-18
6	BOTTOM LUG	DUCTILE IRON	A536	GRADE 60-40-18
7	CARRIAGE BOLT	STEEL	A242	TYPE I
8	HEX NUT	STEEL	A242	TYPE I

\*MUELLER RUBBER CODE R23

NOM. PIPE SIZE	CLAMPS LENGTH	CLAMP SIZE NO.	CLAMP O.D. **		CAST IRON	DUCTILE IRON	CAST IRON O.D. PVC	STEEL****	A-C ROUGH BARREL
			MIN.	MAX.					
2"	5, 6, 7.5, 9, 12, 15, 18	0213	2.13	2.41					
2"	5, 6, 7.5, 9, 12, 15, 18	0235	2.35	2.63	50-250, A, B, C, D	ALL		2"	
2.25"	5, 6, 7.5, 9, 12, 15, 18	0270	2.70	2.98	50-250, A, B, C, D	ALL		2.50"	
3"	5, 6, 7.5, 9, 12, 15, 18	0297	2.97	3.25				3" O.D.	
3"	5, 6, 7.5, 9, 12, 15, 18	0346	3.46	3.72				3"	
3"	5, 6, 7.5, 9, 12, 15, 18	0373	3.73	4.00	50-250, A, B, C, D	ALL			
3.5"	5, 6, 7.5, 9, 12, 15, 18	0396	3.96	4.25				3.5":4"O.D.	
4"	5, 6, 7.5, 9, 12, 15, 18	0445	4.45	4.87	50-250, A	ALL	CL. 150, 200	STD	
4"	5, 6, 7.5, 9, 12, 15, 18	0474	4.74	5.14	50-250, A, B, C, D	ALL	CL. 150, 200		CL. 100***, 150
4"	5, 6, 7.5, 9, 12, 15, 18	0495	4.95	5.35					CL. 100***, 150
4"	5, 6, 7.5, 9, 12, 15, 18	0520	5.20	5.60					CL. 150, 200
6"	5, 6, 7.5, 9, 12, 15, 18	0655	6.55	6.97	50-250, A	ALL	CL. 150, 200	STD	
6"	5, 6, 7.5, 9, 12, 15, 18	0684	6.84	7.24	50-250, A, B, C, D	ALL	CL. 150, 200		
6"	5, 6, 7.5, 9, 12, 15, 18	0704	7.04	7.44					CL. 100***, 150
6"	5, 6, 7.5, 9, 12, 15, 18	0722	7.22	7.62					CL. 200
8"	5, 6, 7.5, 9, 12, 15, 18	0853	8.53	8.93				STD	
8"	5, 6, 7.5, 9, 12, 15, 18	0899	8.99	9.39	50-250, A, B, C, D	ALL	CL. 150, 200		
8"	5, 6, 7.5, 9, 12, 15, 18	0925	9.25	9.65					CL. 100***, 150
8"	5, 6, 7.5, 9, 12, 15, 18	0940	9.40	9.80					CL. 200
10"	5, 6, 7.5, 9, 12, 15, 18	1064	10.64	11.04				STD	
10"	5, 6, 7.5, 9, 12, 15, 18	1104	11.04	11.46	50-250, A, B, C, D		CL. 150, 200		
10"	5, 6, 7.5, 9, 12, 15, 18	1137	11.37	11.77					C. 100***
10"	5, 6, 7.5, 9, 12, 15, 18	1175	11.75	12.15					CL. 100***, 150
12"	5, 6, 7.5, 9, 12, 15, 18	1260	12.60	13.00				STD	
12"	5, 6, 7.5, 9, 12, 15, 18	1314	13.14	13.56	50-250, A, B, C, D	ALL	CL. 150, 200		
12"	5, 6, 7.5, 9, 12, 15, 18	1356	13.56	13.96					C. 100***
12"	5, 6, 7.5, 9, 12, 15, 18	1400	14.00	14.40					CL. 150, 200

\*\*VERIFY PIPE O.D. BEFORE SELECTING CLAMP SIZE.  
 \*\*\* CAUTION --O.D. OF CLASS 100 A-C PIPE VARIES GREATLY. MEASURE PIPE O.D. TO ASSURE PROPER CLAMP SELECTION.  
 \*\*\*\*ALSO FITS PVC PLASTIC PIPE - ASTM D2241 SDR 17 AND LOWER, AND ASTM D1785 SCHEDULE 80 AND ABOVE.  
 ∇ 2" COPPER TUBING

ECN 1526

DR BY: JLC	3/11/98	UNLESS OTHERWISE NOTED	TRIFO ANGLE PROJECTION	C.B. NO.
CHKD:		BREAK CAST CORNER(S)		PATT. NO.
ENGR:		BREAK MACH CORNER(S)		
MGR:		TOLERANCES	PURCH. FINISH	SCALE NONE
MFC:		UNLESS OTHERWISE NOTED	REF. NO.	
TOOL:		LINEAR	ANGULAR	STR. NO.
FRY:		±	±	
MATERIAL NOTED		NUMBER		
		502 SERIES SERVI-SEAL PIPE REPAIR CLAMPS		6636