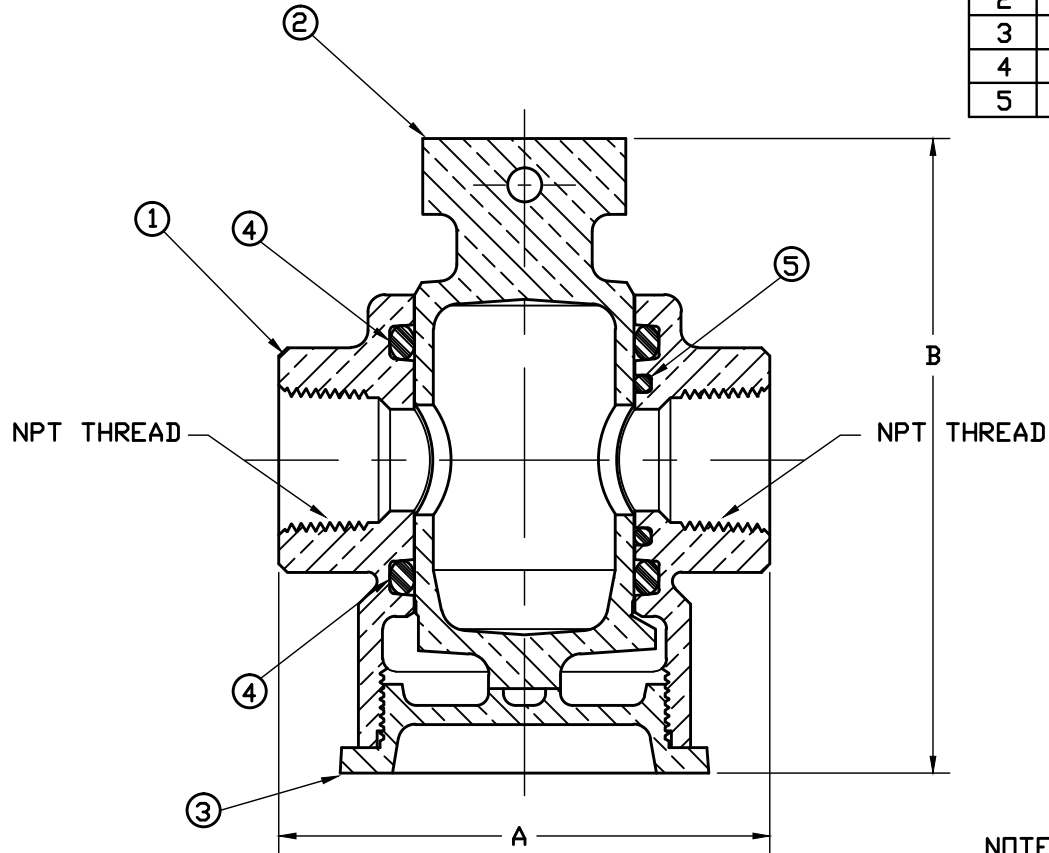


No.	DESCRIPTION	MATERIAL
1	BODY	CAST LOW LEAD BRASS ALLOY
2	KEY	CAST LOW LEAD BRASS ALLOY
3	BASE CAP	CAST BRASS ASTM B62 ALLOY C83600
4	ORING	EPDM ASTM D2000
5	ORING	EPDM ASTM D2000



VALVE SIZE	A	B
3/4"	3.62	4.68
1"	4.19	5.12
1-1/2"	5.38	6.12
2"	6.38	7.12

NOTE: ALL WETTED PARTS ARE LOW LEAD BRASS ALLOY

FILEPATH: PRODD-ENG\MUELLER\ASYSUBMITTALS\H10291N

						DRFTR JGarvin	2/3/11	Mueller Co.		UNLESS OTHERWISE NOTED SURFACE PREPARATION: BREAK CORNER(S) ---- .000 SURFACE FINISH -- XX RMS TOLERANCE(S): LINEAR ----- ± .000 ANGULAR ----- ± 0°00'		THIRD ANGLE PROJECTION 	
								BY	DATE				
										STK No:			
										MAT'L:			
										DESCR.	ORISEAL CURB VALVE		PART NUMBER
											LOW LEAD BRASS (FIP x FIP)		H10291N
PER EST NO: DXXXX EST FIN WT = 0.0000 lbs													

PART NUMBER
H10291N
442-MRKTG