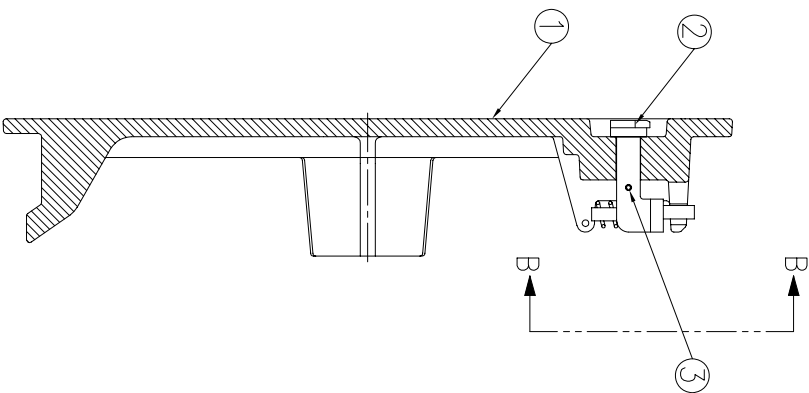
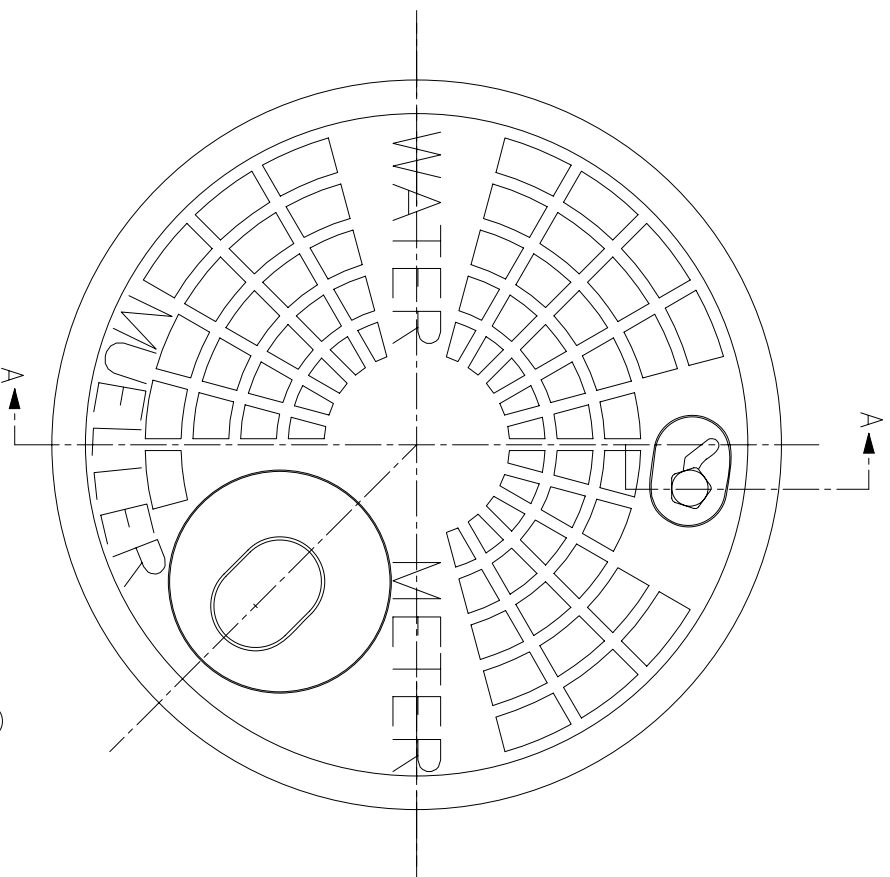
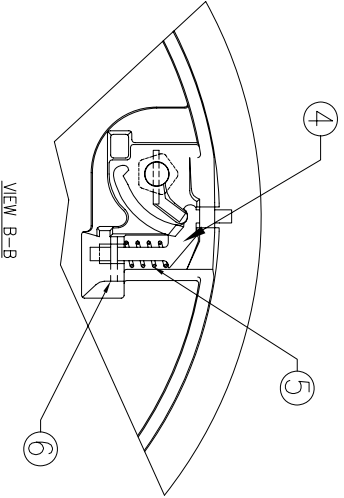


ITEM	DESCRIPTION	PART NO	REQ'D
1	LID	700177	1
2	PENTAGON KEY	146323	1
3	PENTAGON KEY PIN	146324	1
4	LID LATCH	146306-1	1
5	LID LATCH SPRING	508558	1
6	LID LATCH RIVET	790146	1

DWG. NO.	REV.	DESCRIPTION	REF.	DATE
780112	A	REDRAWN IN CAD	E.O. 2133	10-18-04
	B	RECESS MODIFIED	E.O. 2195	9-29-05



SECTION A-A



VIEW B-B

		TOLERANCES - MACHINING UNLESS OTHERWISE NOTED BREAK EDGES FINISH SURFACES	
1/4" (MILLIMETER) INCH INITIAL RELEASE DATE: 10-18-04 CHK'R: CJD APP: JMG	1/16" (MILLIMETER) INCH INITIAL RELEASE DATE: 10-18-04 CHK'R: CJD APP: JMG	1/32" (MILLIMETER) INCH INITIAL RELEASE DATE: 10-18-04 CHK'R: CJD APP: JMG	1/64" (MILLIMETER) INCH INITIAL RELEASE DATE: 10-18-04 CHK'R: CJD APP: JMG
E.O. NUMBER: 2133		REVISIONS: 2 REMARKS 3 PL ±.010	
MTL: 15" METER BOX LID WITH PENTAGON KEY		THIRD ANGLE PROJECTION PURCH: FINISH REF. NO.: SCALE: 1:2 STK. NO.:	
REVISION: B		NUMBER: 780112 SHEET: 1 OF 1	