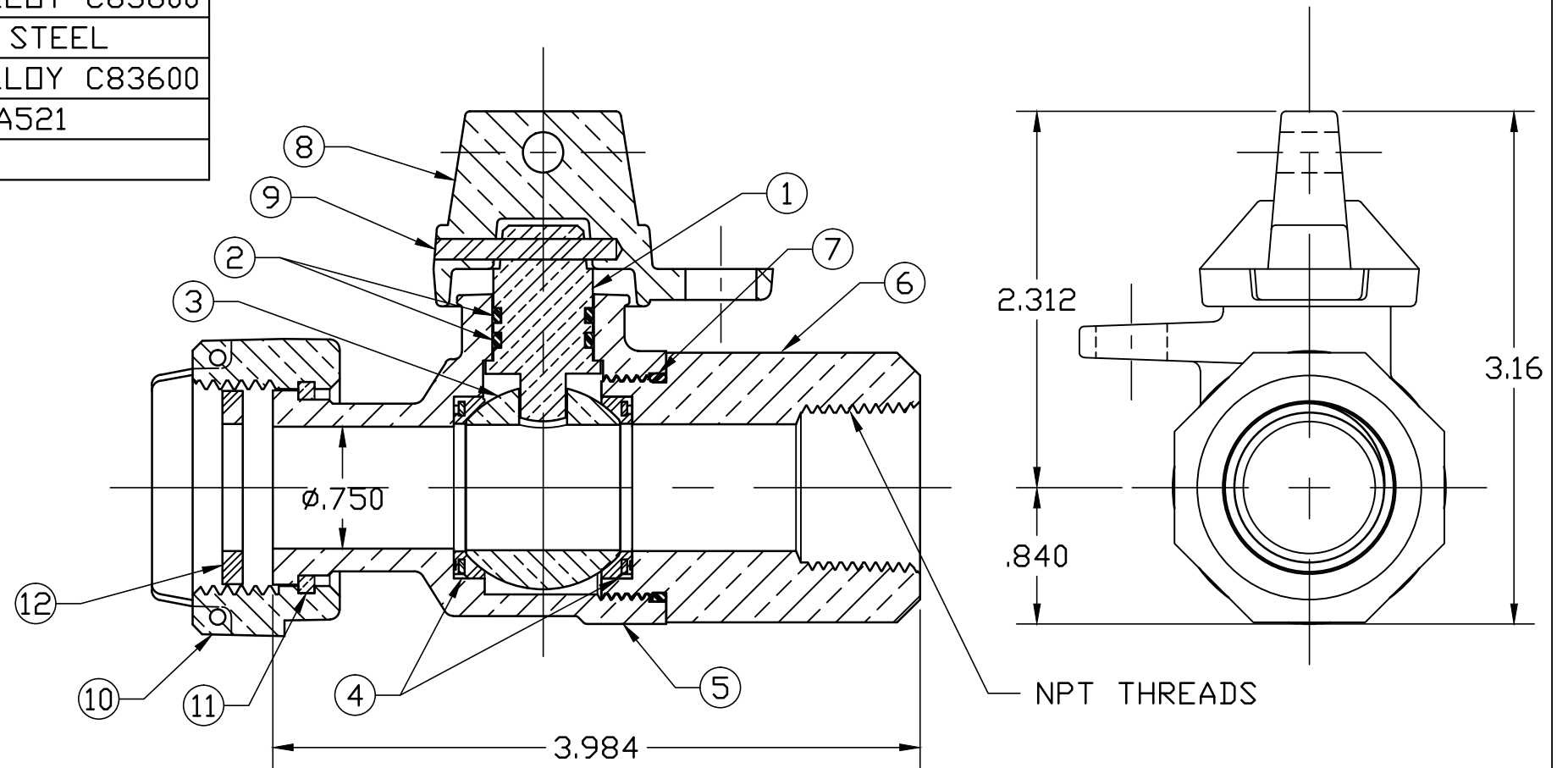


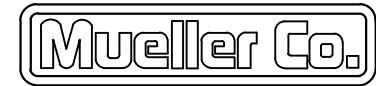
No.	DESCRIPTION	MATERIAL
1	STEM	CAST LOW LEAD BRASS ALLOY
2	O-RING	EPDM D2000
3	BALL	CAST LOW LEAD BRASS ALLOY
4	GASKET - SEAL	NITRILE D2000
5	BODY	CAST LOW LEAD BRASS ALLOY
6	END PIECE	CAST LOW LEAD BRASS ALLOY
7	O-RING	EPDM D2000
8	CAP	CAST BRASS ASTM B62 ALLOY C83600
9	SOLID PIN	AISI 304 STAINLESS STEEL
10	SADDLE NUT	CAST BRASS ASTM B62 ALLOY C83600
11	SNAP RING	COPPER ALLOY CDA521
12	RUBBER GASKET	NITRILE D2000



ALL WETTED PARTS ARE LOW LEAD BRASS ALLOY

FILEPATH: PROD-ENG\MUELLER\SGLAS\250B2435107N

DRFTR	JGarvin	7/28/11
CHKR		
ENGR		
MGR		
BY		DATE
STK No:		
MAT'L:		



UNLESS OTHERWISE NOTED THIRD ANGLE PROJECTION
 SURFACE PREPARATION:
 BREAK CORNER(S) ---- .000
 SURFACE FINISH -- XX RMS
 TOLERANCE(S):
 LINEAR ----- ± .000
 ANGULAR ----- ± 0°00'

REV	ECR	DESCRIPTION	DATE	BY	CHKR	DESCR.	PART NUMBER
						3/4" LLB INLINE BALL METER VALVE (MTR X EXTENDED END FIP)	B2435107N

PER EST NO: DXXXX EST FIN WT = 0.0000 lbs

PART NUMBER
B2435107N
44²-MRKTNG