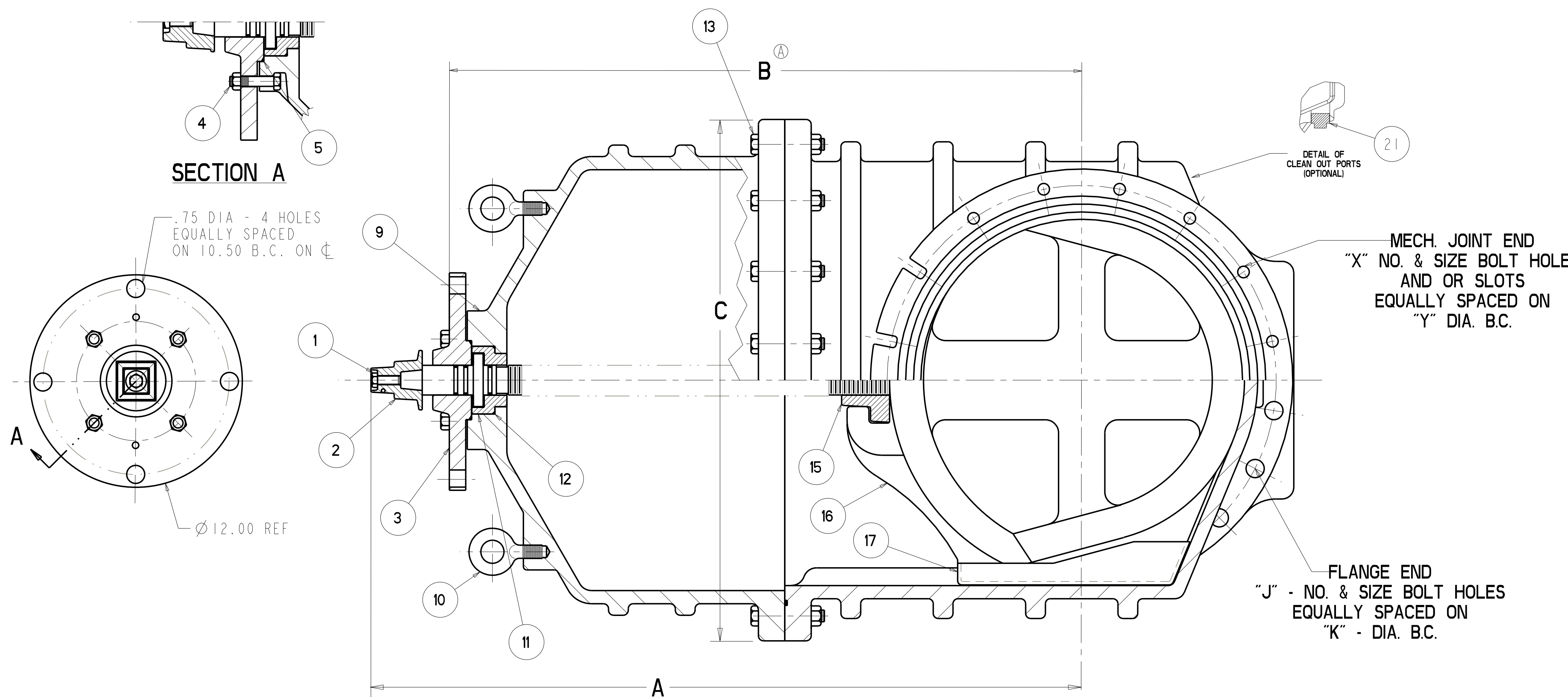
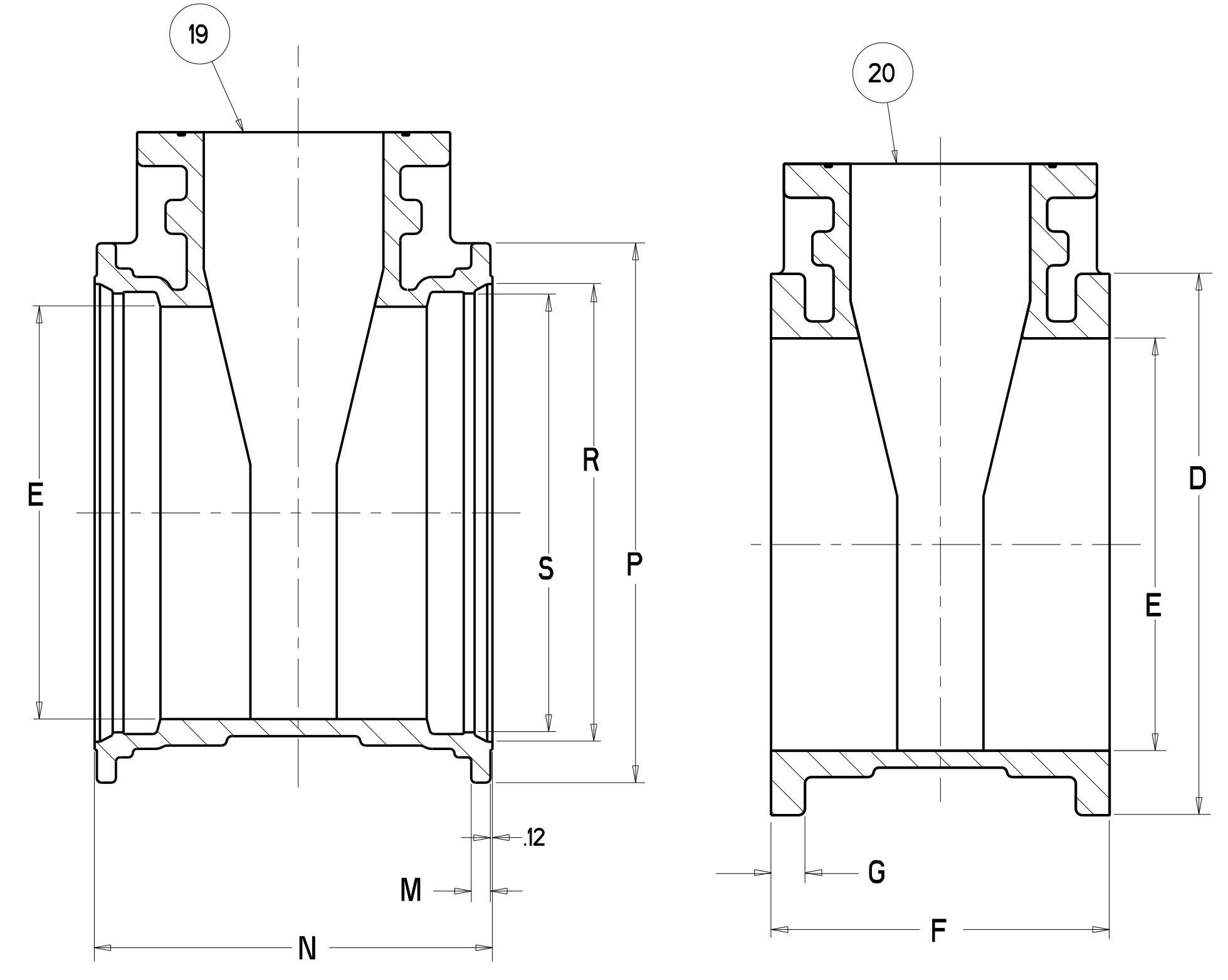
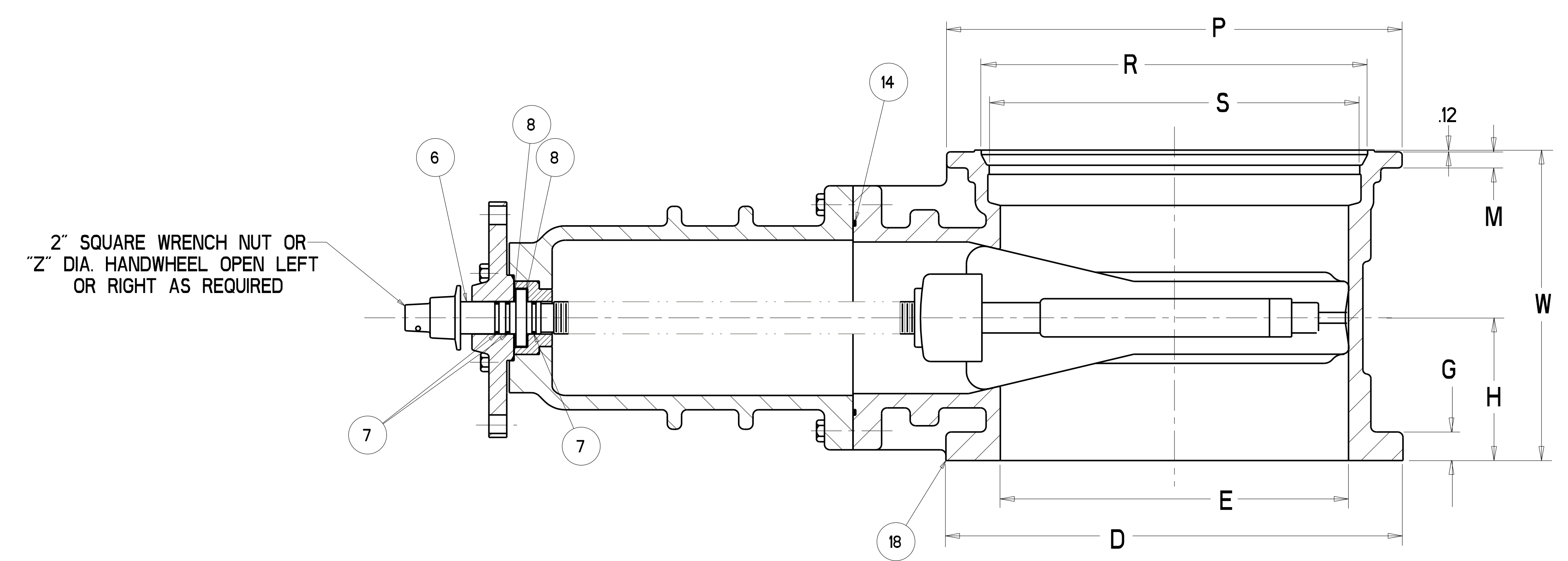


6884 16" - 24" RWGV - ALL END CONFIGURATIONS - POST INDICATOR VALVE



PARTS LIST				
ITEM	DESCRIPTION	REQ'D	MATERIAL	ASTM
1	CAP SCREW	1	STEEL	(B)
2	WRENCH NUT	1	CAST IRON (SEE NOTE 4)	A126 CLASS B
3	STUFFING BOX	1	DUCTILE IRON	A536 GR. 65-45-12
4	HEX BOLT & NUT	"AA"	STEEL	(B)
5	O-RING	1	RUBBER	D2000 R34 16" EPDM 18" - 36"
6	STEM	1		SEE NOTE 1
7	O-RING	3	RUBBER	D2000 R34 16" EPDM 18" - 36"
8	WASHER	2	BRASS	
9	BONNET	1	DUCTILE IRON	A536 GR. 65-45-12
10	EYEBOLT	2	STEEL	ZINC PLATED (B)
11	BONNET BUSHING	1	BRONZE	B62 SEE NOTE 5
12	O-RING	1	RUBBER	D2000 R34 16" EPDM 18" - 36"
13	HEX BOLT & NUT	"L"	STEEL	(B) SEE NOTE 3
14	O-RING	1	RUBBER	D2000 R34 16" EPDM 18" - 36"
15	DISC NUT	1	BRONZE	B62
16	DISC	1		SEE NOTE 2
17	GUIDE CAP	2	CELCON	M90
18	BODY FL x MJ	1	DUCTILE IRON	A536 GR. 65-45-12
19	BODY MJ x MJ	1	DUCTILE IRON	A536 GR. 65-45-12
20	BODY FL x FL	1	DUCTILE IRON	A536 GR. 65-45-12
21	PIPE PLUG	2	SUPPLIED WHEN TAPPED	

- NOTES:
- (B) 1) 16" VALVE - BRONZE ALLOY ASTM B138 C67600  
18" TO 24" VALVES - BRONZE ASTM B584 ALLOY 86400 OR 86500
  - 2) RUBBER ENCAPSULATED DUCTILE IRON DISC  
RUBBER - SBR 16" - EPDM (18" AND UP) ASTM D2000  
DUCTILE IRON ASTM A536 GRADE 65-45-12
  - (B) 3) BOLTS ARE - ASTM A307 GRADE A OR SAE J429 GRADE 2  
NUTS - ASTM A563 GRADE A OR SAE J995 GRADE 2  
FASTENERS - PLATED TO ASTM F1941 CLASS Fe/Zn 12C
  - 4) MANUFACTURER'S OPTION TO UPGRADE MATERIAL TO DUCTILE IRON A536 GRADE 65-45-12
  - 5) 16 IN. VALVES DO NOT HAVE A BONNET BUSHING



VALVE SIZE	A	B (A)	C	D	E	F	G	H	J	K	L	M	N	P	R	S	W	X	Y	Z	AA	TURNS TO OPEN
16	37.88	32.35	26.58	23.50	16.00	16.06	(B) 1.09	8.03	16 - .112	21.25	12	1.50	19.75	22.56	18.40	17.28	17.91	8 - .88	21.00	18.00	2	49
18	44.19	38.35	30.50	25.00	18.38	17.00	(B) 1.66	8.50	16 - .125	22.75	12	1.50	21.00	24.88	20.74	19.64	19.00	12 - .88	23.25	18.00	4	57
20	48.25	41.48	33.75	27.50	20.38	18.00	1.78	9.00	20 - .125	25.00	12	1.60	21.50	27.25	22.84	21.74	19.75	14 - .88	25.50	20.00	4	63
24	53.88	47.94	39.50	32.00	24.38	20.00	2.00	10.00	20 - .138	29.50	16	1.12	23.50	31.88	27.05	25.94	21.75	16 - .88	30.00	30.00	4	75

ECO 1562945  
ADDED DIM B IN DRAWING  
ADDED COLUMN B IN TABLE  
HD: 5/4/2011

ECO 1587421  
1.09 WAS 1.59,  
MODIFIED NOTES 1 & 3  
SEPARATED 16" TO 24"  
TO 16" & 18" TO 24"  
ZINC PLATED WAS  
GALVANIZED  
JAB 03/20/12

**APPROVED**  
By Charles Graham Hines at 11:32 am, May 10, 2012

SR BY: RAB	1/18/10	UNLESS OTHERWISE NOTED	THIRD ANGLE PROJECTION	C.D. NO.
CHKD: CGH	1/18/10	BREAK CAST CORNERS!		
ENGR: RWV	1/18/10	BREAK MACH CORNERS!		
MFR:		TOLERANCES	PURCH: NO	FINISH: ASM
MFG:		UNLESS OTHERWISE NOTED	REF. NO.	SCALE: NONE
TOOL:		LINEAR	ANGULAR	STR. NO.
DRY:		±	±	
MATERIAL NOTED		DESCR: 16"-24" RWGV		NUMBER: 6884
Mueller Co.		ALL END CONFIGURATIONS POST INDICATOR VALVE		