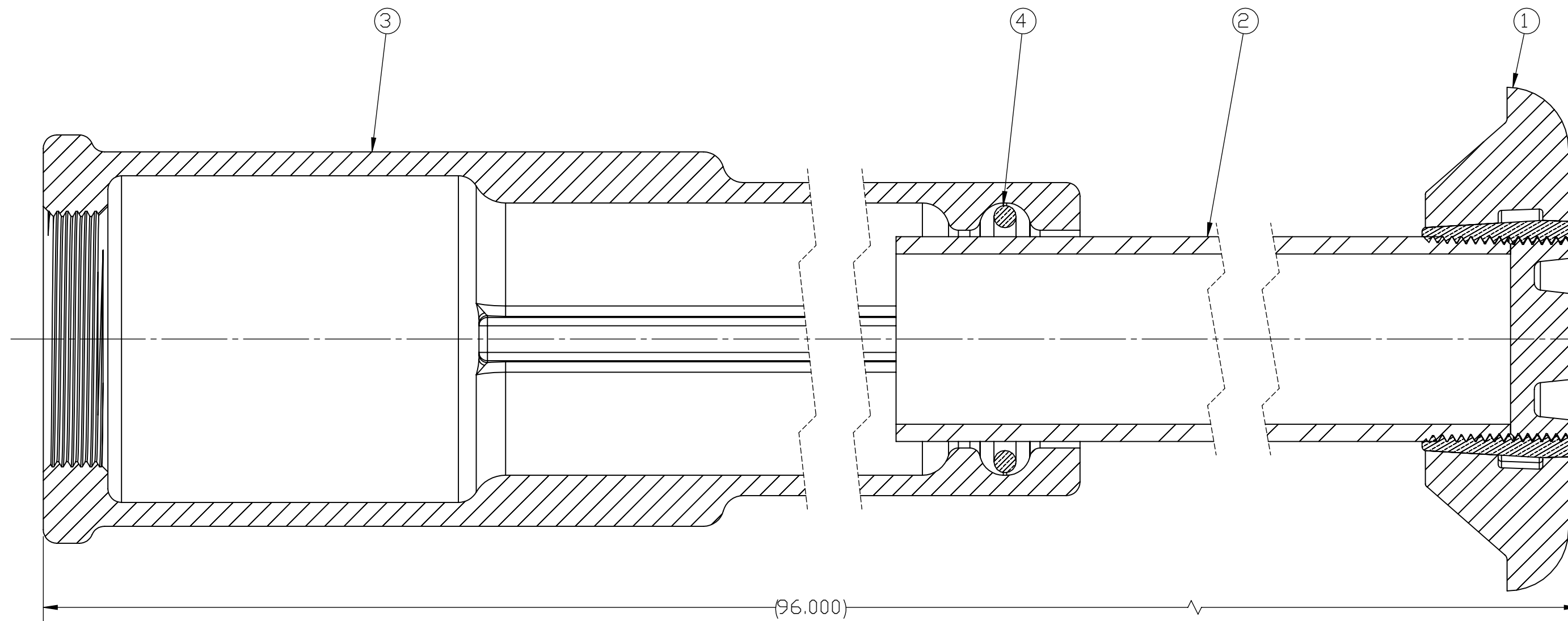
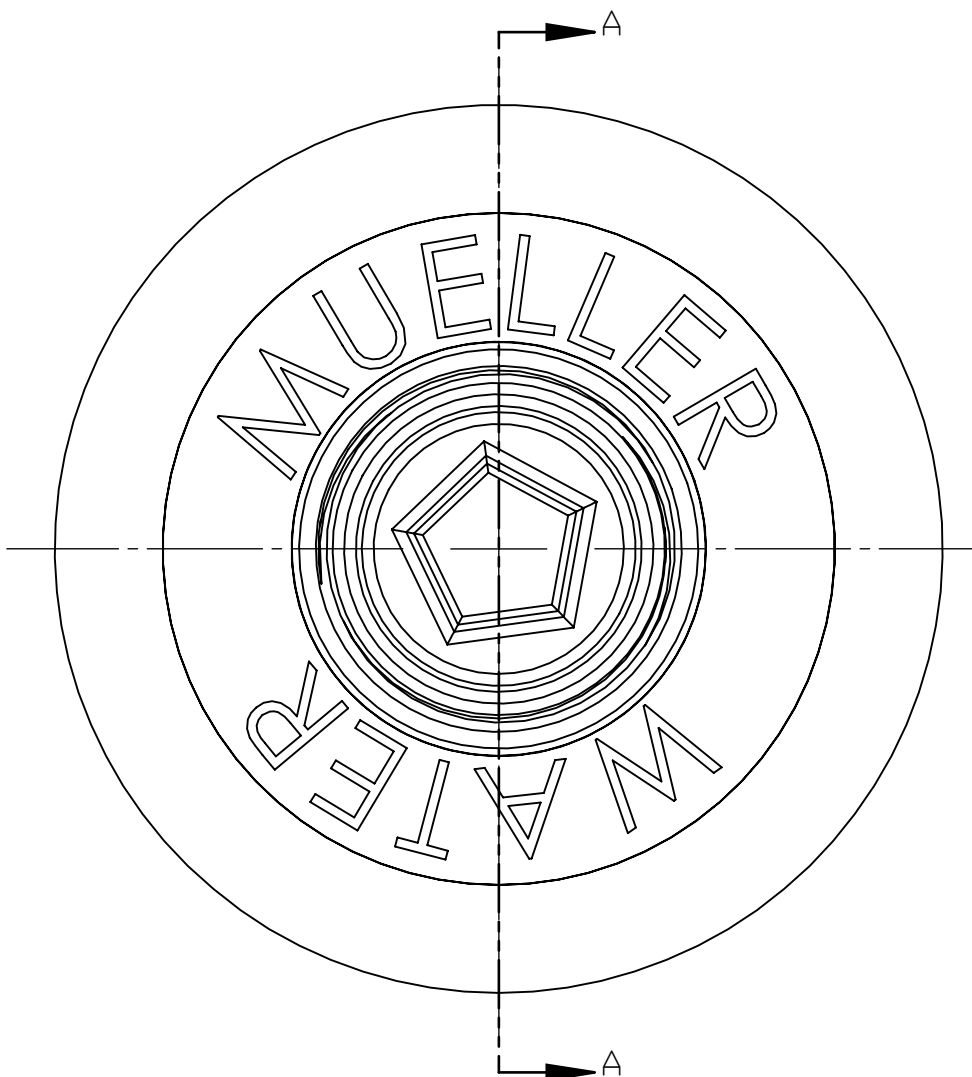


DWG NUMBER
H1030205 914
44-MRKTNG

ITEM NO.	DESCRIPTION	QTY.
1	LID SUB ASSEMBLY	1
2	STAND PIPE	1
3	BASE	1
4	SPRING RING	1



SECTION A-A
SCALE 1 : 1



FILEPATH: PROD-ENG\MUELLER\ASYSUBMITTALS\SOLIDWORKS\H1030205 914

DRFTR	RWB	9/13/12	Mueller Co.	THIRD ANGLE PROJECTION
CHKR				
ENGR				
MGR				
UNLESS OTHERWISE NOTED			SURFACE PREPARATION: BREAK CORNER(S) ---- .000 SURFACE FINISH -- XX RMS	
BY			TOLERANCE(S): LINEAR ----- ± .016 ANGULAR ----- ± 0°30'	
DATE			REF. No.	SCALE
STK No:				1 : 1
MAT'L:			DESCR.	
REV	ECR	DESCRIPTION	1-1/2" x 2" CURB BOX 2" MINN. TOP BASE	
PER EST NO: DXXXX EST FIN WT: 0.00000 lbs			DWG NUMBER	H1030205 914

TITLE TO AND OWNERSHIP OF THIS ENGINEERING DATA REMAINS IN Mueller Co. NO USE IS TO BE MADE OF THIS DATA EXCEPT AS SPECIFICALLY AUTHORIZED BY Mueller Co. ASSENT ON THE PART OF THE RECIPIENT TO THESE CONDITIONS IS PRESUMED

WAS EXP NO: NONE