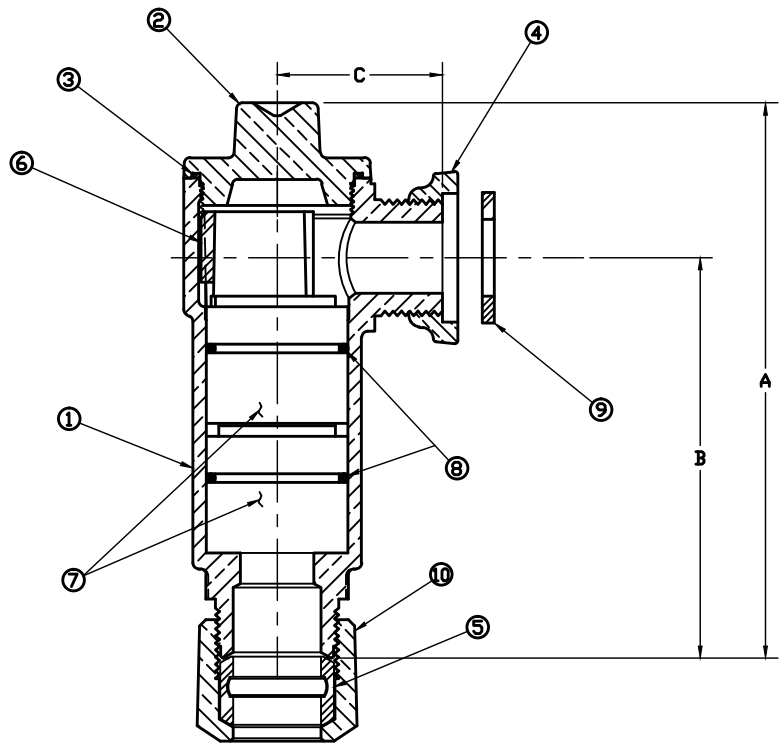


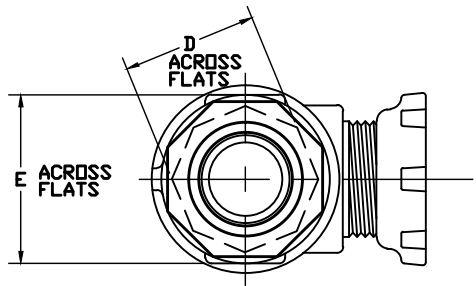
PART NUMBER
H14466N
44 MRKTNG

SIZE	A	B	C	D	E
5/8"	5.50	4.09	1.85	1.38	1.72
3/4"	5.50	4.09	1.85	1.38	1.72
5/8x3/4x1"	6.40	4.49	2.88	1.69	2.28
1"	6.28	4.49	2.38	1.69	2.28

NO.	QTY.	DESCRIPTION	MATERIAL
1	1	BODY	CAST LOW LEAD BRASS ALLOY
2	1	CAP	CAST LOW LEAD BRASS ALLOY
3	1	O-RING	EPDM D2000
4	1	LOCK NUT	CAST BRASS ASTM B62 ALLOY C83600
5	1	GASKET SEAL ASS'Y	SBR D2000
6	1	LINER	CELCON M-90
7	2	POPPET ASS'Y	SEE ASS'Y DWG.
8	2	O-RING	EPDM D2000
9	1	WASHER	NITRILE D2000
10	1	COUPLING NUT	CAST BRASS ASTM B62 ALLOY C83600
13		END PIECE	CAST LOW LEAD BRASS ALLOY
14		O-RING	EPDM D2000



NOT SHOWN
5/8x3/4x1
NOT SHOWN
5/8x3/4x1



(OPTION)

H14466N-99005
DUAL CHECK ANGLE METER VALVE ASSEMBLY
-LLB- INCLUDES DRAIN VALVE IN CAP

11	CAP	CAST LOW LEAD BRASS ALLOY
12	DRAIN PIN	CAST LOW LEAD BRASS ALLOY

NOTE: ALL WETTED PARTS ARE LOW LEAD BRASS ALLOY

FILEPATH: PROD-ENG\MUELLER\ASYSUBMITTALS\H14466N

DRFTR	Garvin	5/20/11					
CHKR							
ENGR							
MGR							
BY	DATE						
STK No							
MAT'L							
DESCR.	DUAL CHECK ANGLE METER - LLB VALVE ASSEMBLY (IRON BAR x 110CTS)						
REV	ECR	DESCRIPTION	DATE	BY	CHKR	PART NUMBER	
PER	EST	NO	X-XXXX	EST	FIN	WT = 0.0000 lbs	H14466N

UNLESS OTHERWISE NOTED THIRD ANGLE PROJECTION

SURFACE PREPARATION: REF. No. SCALE

BREAK CORNER(S) --- .000

SURFACE FINISH --- 000 RMS

TOLERANCE(S): LINEAR --- ± .000 ANGULAR --- ± 0°00'

Mueller Co.

WAS EXP NO