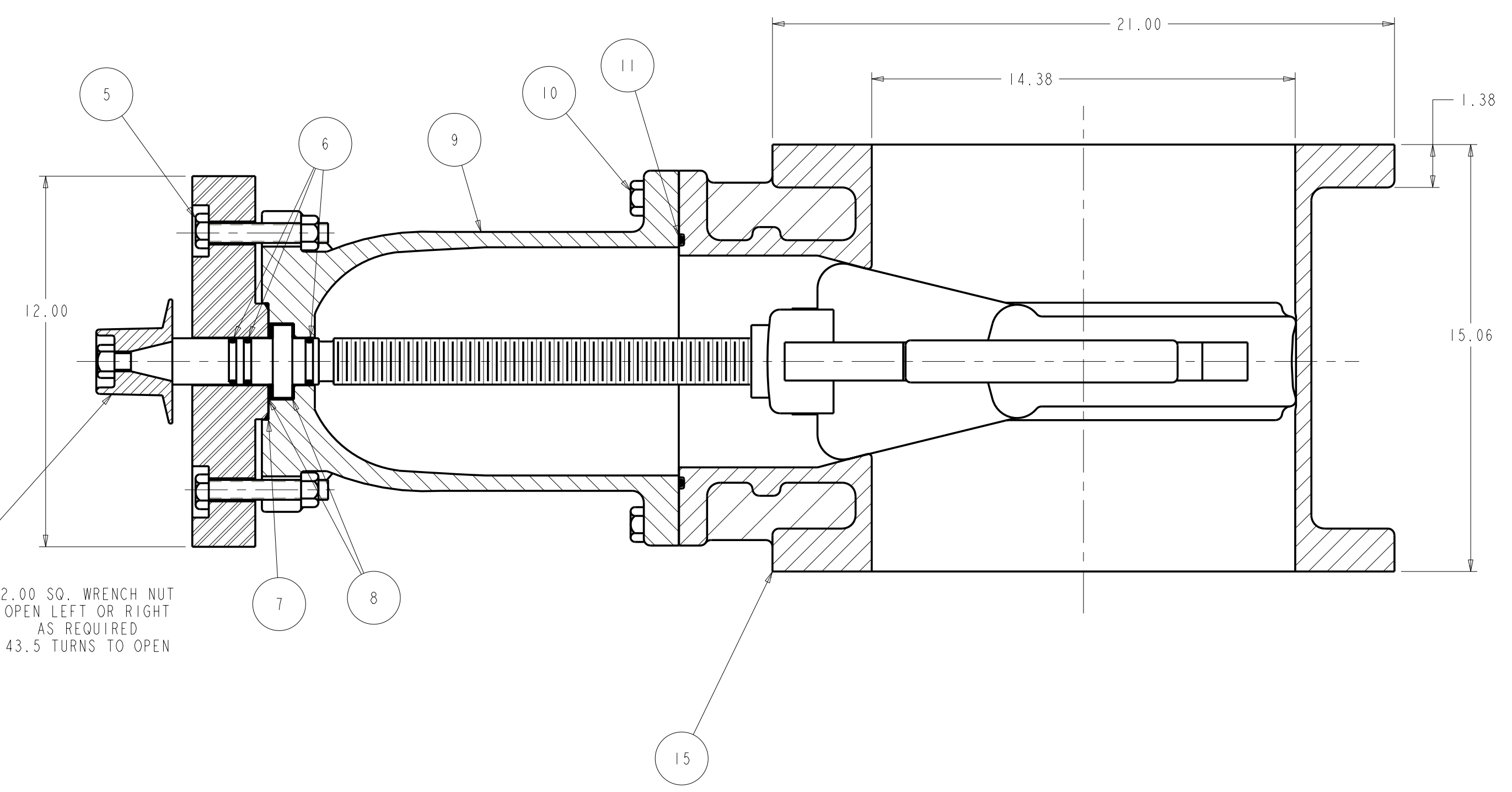
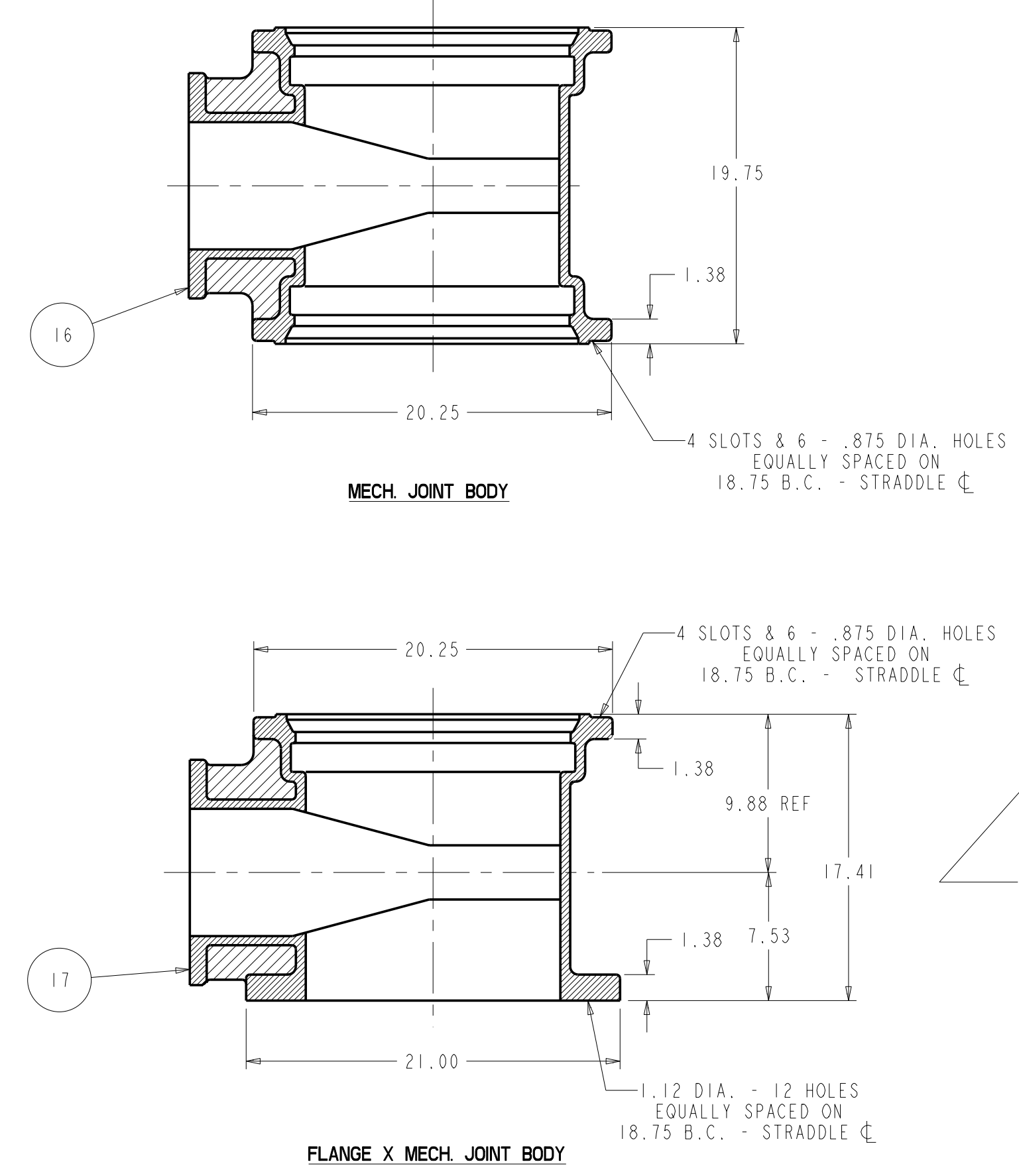
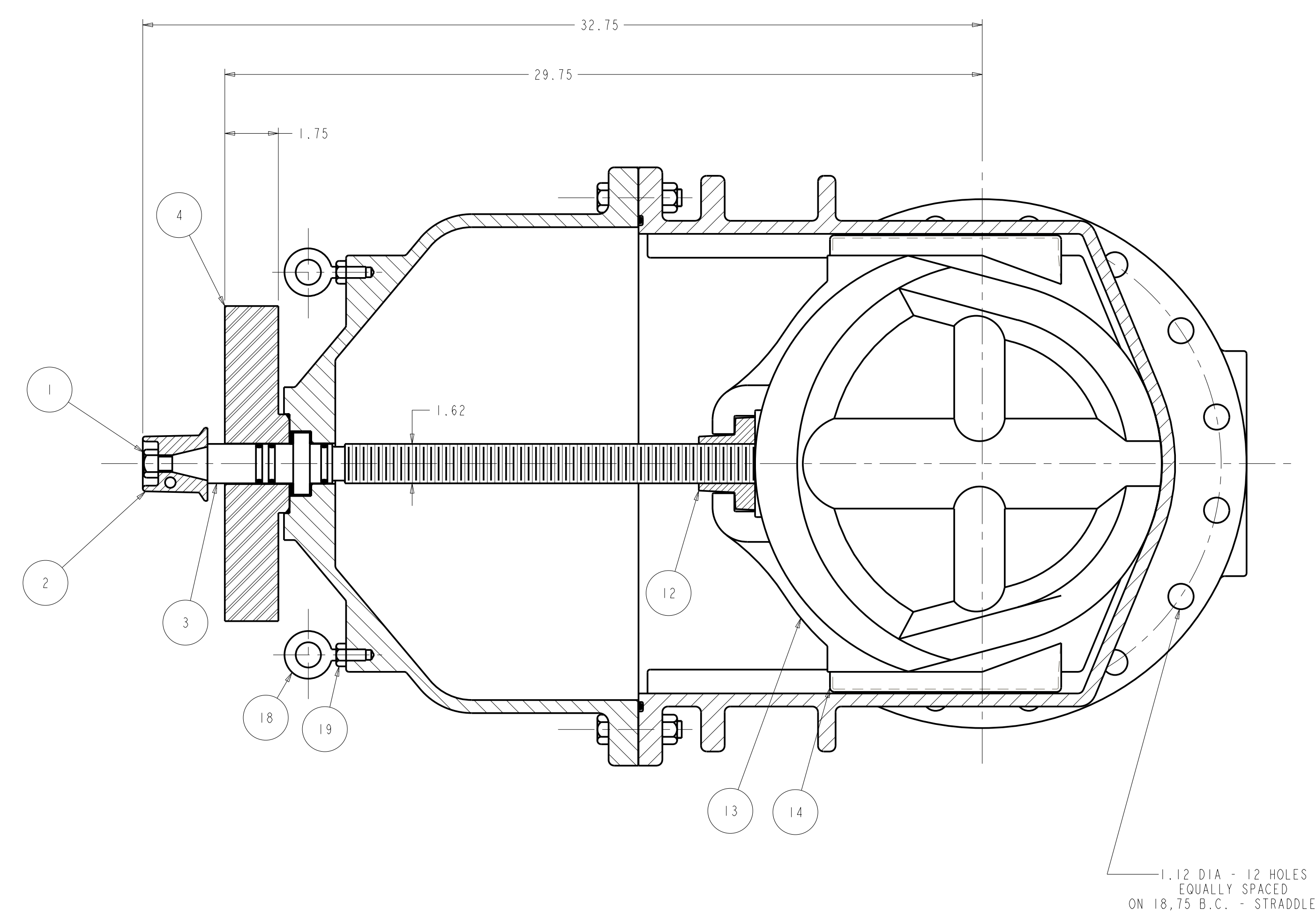
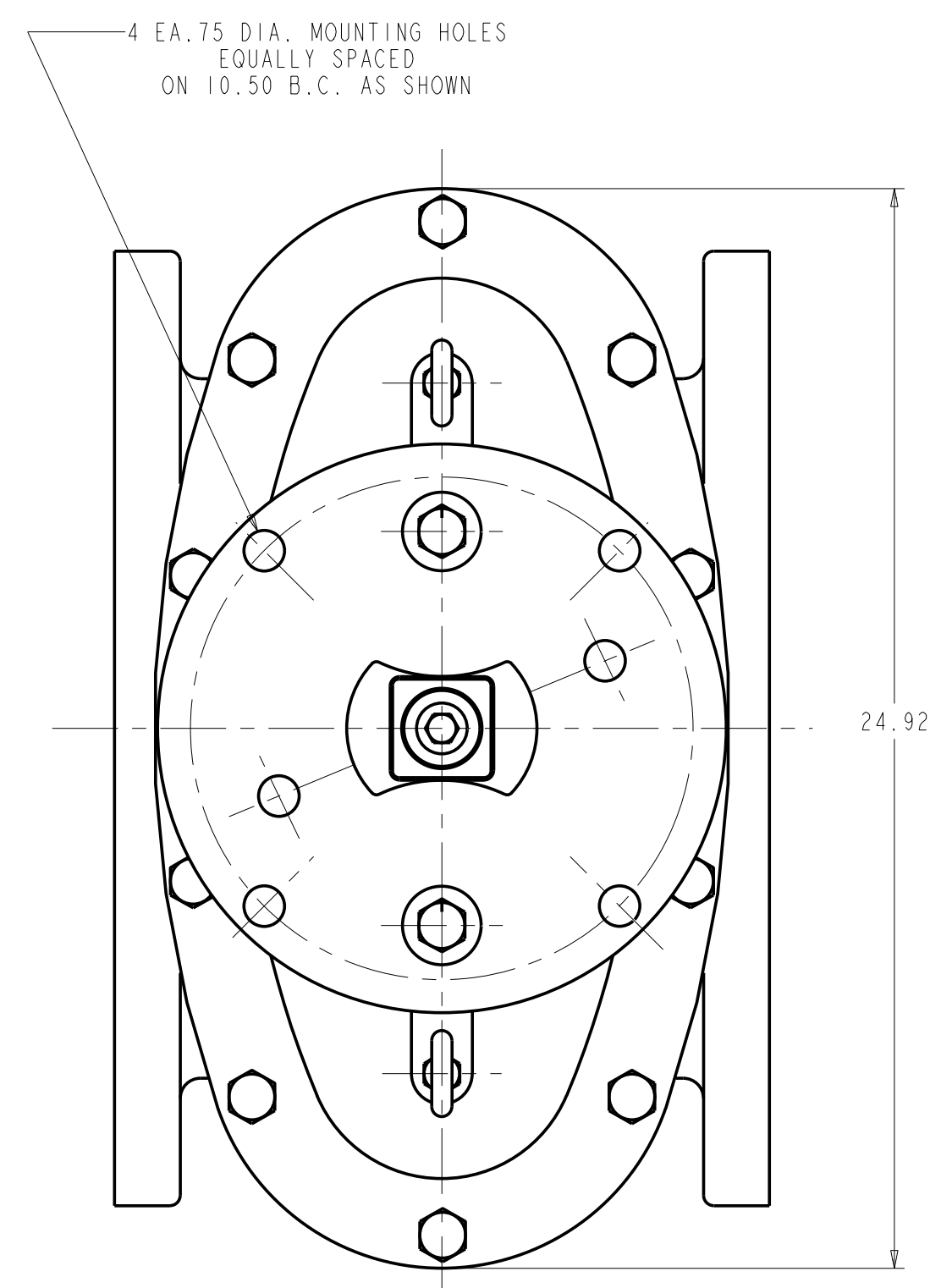


4" P2361 RESILIENT WEDGE GATE VALVE - FLANGE X FLANGE ENDS, & MECH. JOINT X MECH. JOINT ENDS



PARTS LIST - GEARED VALVE

ITEM	DESCRIPTION	REQ'D	MATERIAL	ASTM	
1	CAP SCREW	1	STEEL	A307	GRADE B ZINC PLATED
2	WRENCH NUT	1	CAST IRON	A126	CLASS B
3	STEM	1	BRONZE	*	
4	STUFFING BOX	1	STEEL	A36	
5	HEX HEAD BOLT	2	STEEL	A307	GRADE B ZINC PLATED
6	"O" RING	3	RUBBER	D2000	MUELLER R34
7	"O" RING	1	RUBBER	D2000	MUELLER R34
8	ANTI-FRICTION WASHER	2	BRASS		
9	BONNET	1	DUCTILE IRON	A536	GRADE 65-45-12
10	HEX BOLT	10	STEEL	A307	GRADE B ZINC PLATED
11	"O" RING	1	RUBBER	D2000	MUELLER R34
12	DISC NUT	1	BRONZE	B62	
13	DISC	1	**		
14	GUIDE CAP	2	CELCON		M90
15	FLG X FLG BODY	1	DUCTILE IRON	A536	GRADE 65-45-12
16	MJ X MJ BODY	1	DUCTILE IRON	A536	GRADE 65-45-12
17	FLG X MJ BODY	1	DUCTILE IRON	A536	GRADE 65-45-12
18	EYE BOLT	2	STEEL		ANSI B18.15
19	HEX NUT	2	STEEL		ANSI B18.15

* ASTM B138 ALLOY 675 W/ADDED LEAD FOR MACHINABILITY

** RUBBER ENCAPSULATED DUCTILE IRON DISC
DUCTILE IRON - ASTM A536 (65-45-12)
RUBBER - MUELLER RUBBER SPEC R88

ECO 1236365

ECO 1254580
P2361 WAS A2361
CAP 02/14/02

ECO 1331549
6744 WAS 6698
6698 USED IN
ALBERTVILLE
CAP 11/01/04

DR BY: JLC	4/3/01	UNLESS OTHERWISE NOTED	THIRD ANGLE PROJECTION	C.D. NO.
CHKD: TRJ		BREAK CAST CORNERS!		
ENGR: RWV		BREAK MACH CORNERS!		
MFR:		TOLERANCES	PURCH. FINISH	PART. NO.
MFG:		UNLESS OTHERWISE NOTED	REF. NO. SCALE	
TOOL:		LINEAR ANGLUAR	NONE	
FDRT:		± ±	STR. NO.	
MAT'L		DESCR. 14" RWGV FLG. ENDS FLG. X M.J. ENDS, & M.J. X M.J. ENDS W/POST INDICATOR FLANGE		NUMBER 6744

