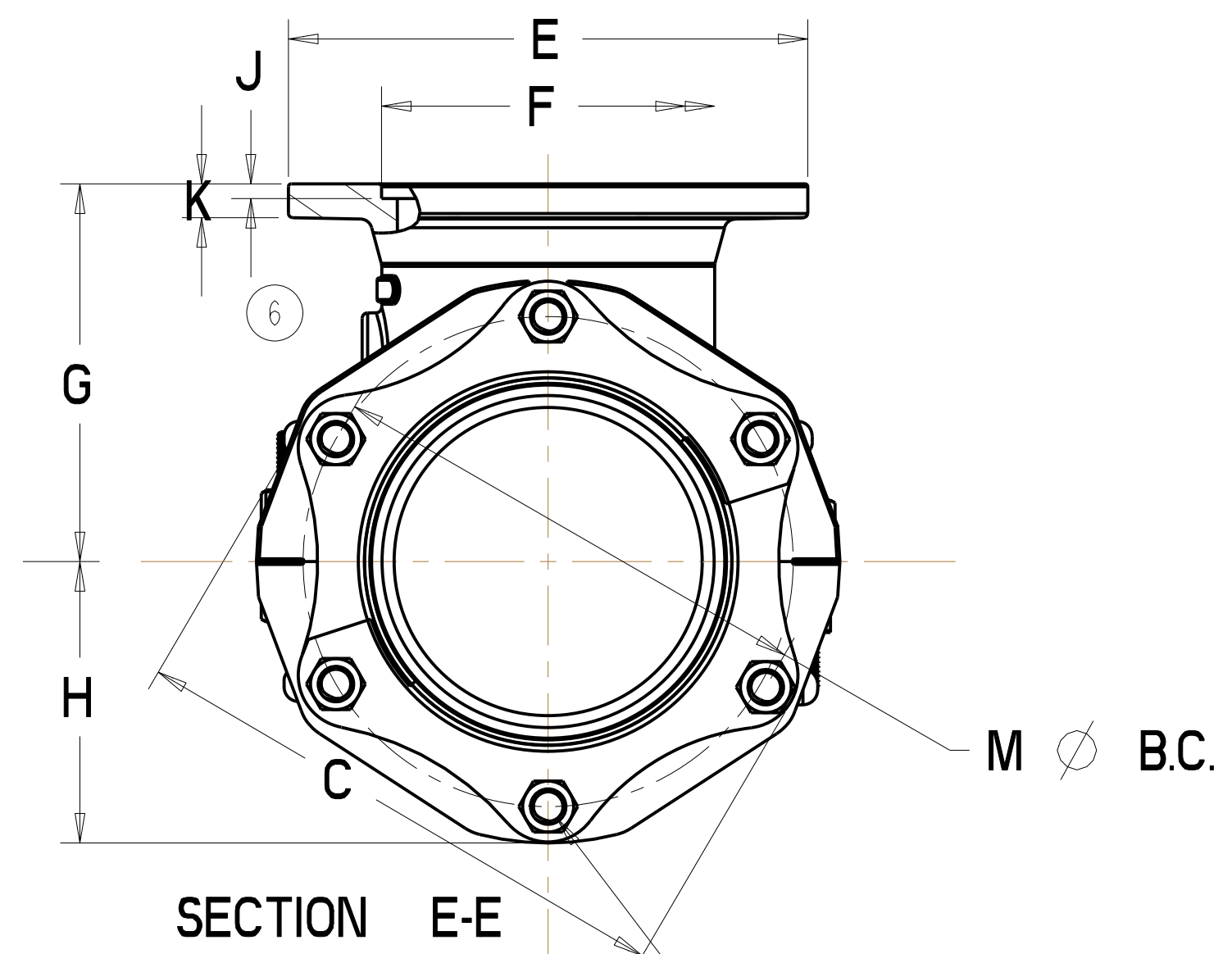




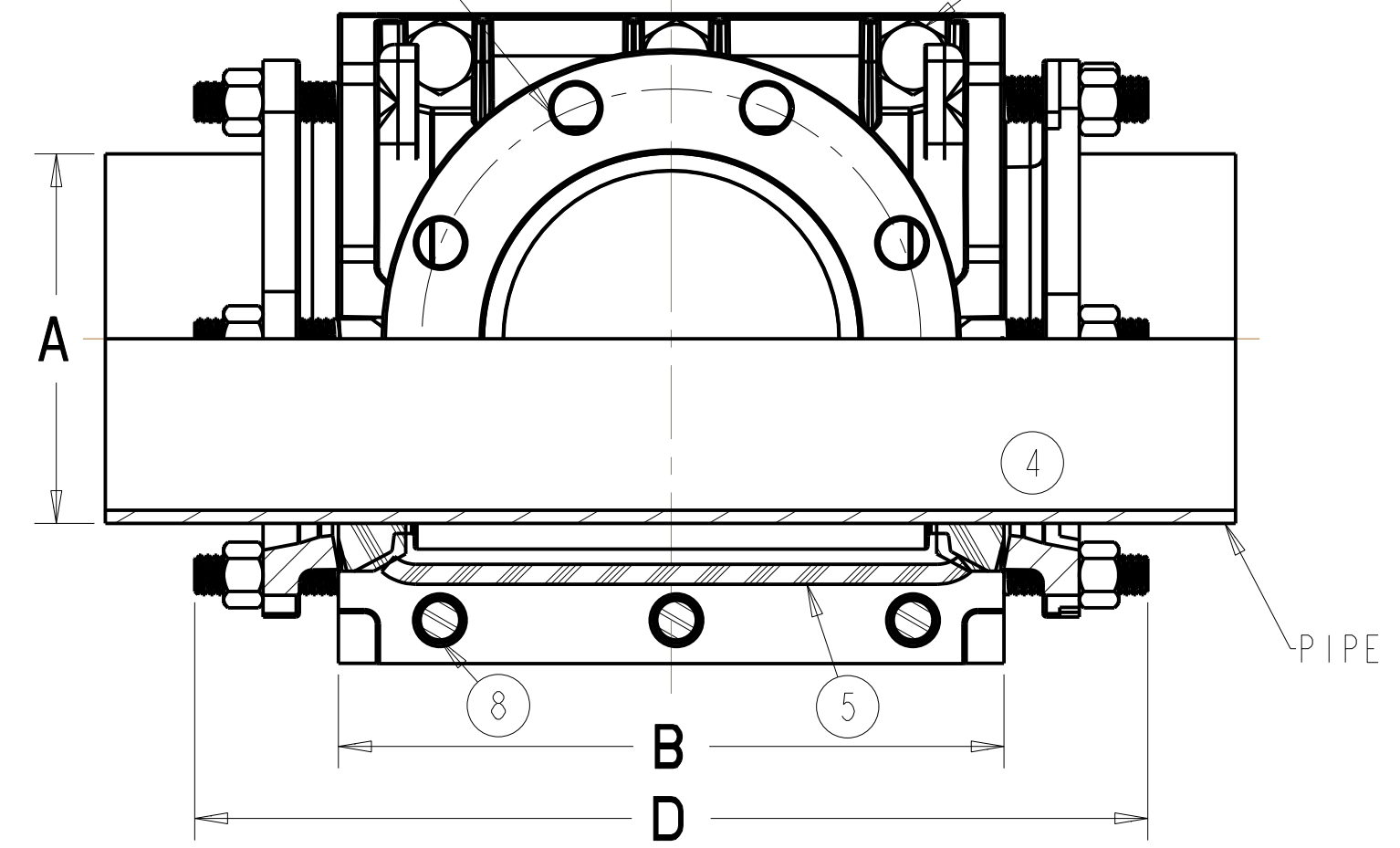
H615 & H616 ASSEMBLY WITH ZINC PLATED STEEL SIDE BOLTS



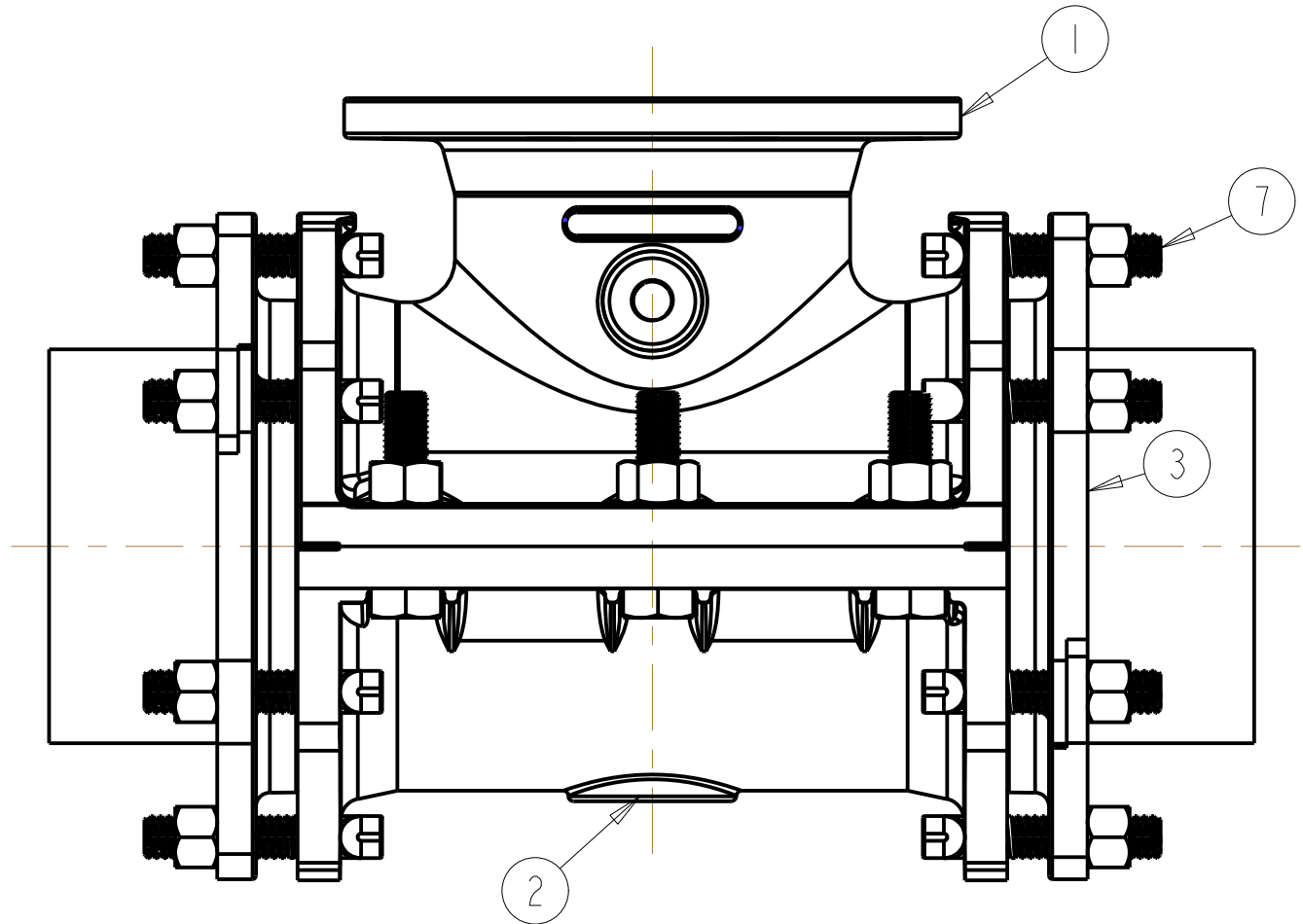
"N" NO. & SIZE OF BOLTS INCLUDING BOTH ENDS

"L" NO. & SIZE OF HOLES ON "S" B.C. STRADDLE

"P" NO. & SIZE OF BOLTS



SECTION A-A



	A (H-615) OD. RANGE	A (H-616) OD. RANGE	B	C	D REF.	E	F	G	H	J	K	L	M	N	P	S
4x4	4.74 - 5.32		10.94	9.75	16.51	9.00	5.032	7.00	4.25	.250	.655	8 - .750	8.25	8 - .750	6 - .750	7.50
6x4						9.00	5.035			.250	.715	8 - .750				7.50
6x6	6.84 - 7.40		12.66	11.88	18.17	11.00	7.016	8.00	5.96	.313	.775	8 - .875	10.38	12 - .750	6 - .750	9.50
8x4			11.97		18.36	9.00	5.065	8.825		.250	.685	8 - .750			6 - .750	7.50
8x6			11.97	14.25	18.36	11.00	7.016	9.342	7.19	.313	.765	8 - .875	12.75	12 - .750	6 - .750	9.50
8x8	8.99 - 9.62		14.86		21.25	13.50	9.016	9.539		.313	.775	8 - .875			8 - .750	11.75
10x4			13.56		19.19	9.00	5.016			.250	.938	8 - .750			8 - .750	7.50
10x6			13.56	16.38	19.19	11.00	7.016			.313	1.00	8 - .875			8 - .750	9.50
10x8	11.04 - 11.16	11.34 - 11.46	17.56		23.19	13.50	9.016	11.00	8.19	.313	1.125	8 - .875	14.625	16 - .750	8 - .750	11.75
10x10			17.56		23.19	16.00	11.016			.313	1.188	12 - 1.00			10 - .750	14.25
12x4			13.50		19.00	9.00	5.016			.250	.938	8 - .750			8 - .750	7.50
12x6			13.50	18.50	19.00	11.00	7.016			.313	1.00	8 - .875			8 - .750	9.50
12x8	13.14 - 13.26	13.44 - 13.56	15.56		21.06	13.50	9.016	12.00	9.38	.313	1.125	8 - .875	16.875	16 - .750	10 - .750	11.75
12x10			19.56		25.06	16.00	11.016			.313	1.188	12 - 1.00			12 - .750	14.25
12x12			19.56		25.06	19.00	13.016			.313	1.250	12 - 1.00			12 - .750	17.00
14 x 4			22.50		28.88	9.00	5.016	13.063		.250	.938	8 - .750			14 - 1.000	7.50
14 x 6			22.50		28.88	11.00	7.016	13.625		.313	1.000	8 - .875			14 - 1.000	9.50
14 x 8			22.50	21.50	28.88	13.50	9.016	13.625	10.563	.313	1.125	8 - .875	19.50	20 - .750	14 - 1.000	11.75
14 x 10	15.22 - 15.35	15.59 - 15.71	22.50		28.88	16.00	11.016	13.625		.313	1.188	12 - 1.000			14 - 1.000	14.25
14 x 12			22.50		28.88	19.00	13.016	13.625		.313	1.250	12 - 1.000			14 - 1.000	17.00
14 x 14			28.25		34.63	21.00	15.281	15.188		.313	1.375	12 - 1.125			18 - 1.000	18.75
16 x 4			22.50		28.75	9.00	5.016	14.188		.250	.938	8 - .750			14 - 1.000	7.50
16 x 6			22.50		28.75	11.00	7.016	14.750		.313	1.00	8 - .875			14 - 1.000	9.50
16 x 8			22.50	23.75	28.75	13.50	9.016	14.750	11.781	.313	1.125	8 - .875	22.00	24 - .750	14 - 1.000	11.75
16 x 10	17.32 - 17.45	17.74 - 17.86	22.50		28.75	16.00	11.016	14.750		.313	1.188	12 - 1.000			14 - 1.000	14.25
16 x 12			22.50		28.75	19.00	13.016	14.750		.313	1.250	12 - 1.000			14 - 1.000	17.00
16 x 14			28.25		36.75	21.00	15.281	16.375		.313	1.375	12 - 1.125			18 - 1.000	18.75
16 x 16			28.25		36.50	23.50	17.281	16.688		.313	1.438	16 - 1.125			18 - 1.000	21.25
18 x 4			22.50		28.50	9.00	5.016	15.375		.250	.938	8 - .750			14 - 1.125	7.50
18 x 6			22.50		28.50	11.00	7.016	16.000		.313	1.000	8 - .875			14 - 1.125	9.50
18 x 8			22.50	29.00	28.50	13.50	9.016	16.000	12.938	.313	1.125	8 - .875	24.25	24 - .750	14 - 1.125	11.75
18 x 10	19.42 - 19.55	19.84 - 20.00	22.50		28.25	16.00	11.016	16.000		.313	1.188	12 - 1.000			14 - 1.125	14.25
18 x 12			22.50		28.50	19.00	13.016	16.000		.313	1.250	12 - 1.000			14 - 1.125	17.00
18 x 16			30.50		36.50	23.50	17.281	17.875		.313	1.438	16 - 1.250			18 - 1.125	21.25
18 x 18			30.50		36.50	25.00	19.500	18.500		.313	1.563	16 - 1.250			18 - 1.125	22.75
20 x 4			22.50		28.50	9.00	5.016	16.625		.250	.938	8 - .750			14 - 1.125	7.50
20 x 6			22.50		28.50	11.00	7.016	16.875		.313	1.000	8 - .875			14 - 1.125	9.50
20 x 8			22.50	31.00	28.50	13.50	9.016	16.875	14.063	.313	1.125	8 - .875	26.50	28 - .750	14 - 1.125	11.75
20 x 10	21.52 - 21.65	21.98 - 22.14	22.50		28.50	16.00	11.016	16.875		.313	1.188	12 - 1.000			14 - 1.125	14.25
20 x 12			22.50		28.50	19.00	13.016	16.875		.313	1.250	12 - 1.000			14 - 1.125	17.00
20 x 14			31.875		28.50	21.00	15.281	18.688		.313	1.375	12 - 1.125			20 - 1.125	18.75
20 x 16			31.875		28.50	23.50	17.281	19.000		.313	1.438	16 - 1.250			20 - 1.125	21.25
20 x 18			31.875		37.88	25.00	19.500	19.750		.313	1.563	16 - 1.250			20 - 1.125	22.75
20 x 20			31.875		37.88	27.50	21.500	20.063		.313	1.688	20 - 1.250			20 - 1.125	25.00
24 x 4			22.50		29.25	9.00	5.016	19.000		.250	.938	8 - .750			14 - 1.125	7.50
24 x 6			22.50		29.25	11.00	7.016	19.000		.313	1.000	8 - .875			14 - 1.125	9.50
24 x 8			22.50	35.50	29.25	13.50	9.016	19.000	16.313	.313	1.125	8 - .875	31.00	32 - .750	14 - 1.125	11.75
24 x 10	25.72 - 25.85	26.24 - 26.40	22.50		29.25	16.00	11.016	19.000		.313	1.188	12 - 1.000			14 - 1.125	14.25
24 x 12			22.50		29.25	19.00	13.016	19.000		.313	1.250	12 - 1.000			14 - 1.125	17.00
24 x 14			35.50		42.25	21.00	15.281	21.188		.313	1.375	12 - 1.125			22 - 1.125	18.75
24 x 16			35.50		42.25	23.50	17.281	21.438		.313	1.438	16 - 1.250			22 - 1.125	21.25
24 x 18			35.50		42.25	25.00	19.500	22.500		.313	1.563	16 - 1.250			22 - 1.125	22.75
24 x 20			35.50		42.25	27.50	21.500	22.500		.313	1.688	20 - 1.250			22 - 1.125	25.00
24 x 24			35.50		42.25	32.00	25.500	23.250		.313	1.875	20 - 1.375			22 - 1.125	29.50

ITEM	DESCRIPTION	REQ'D	MATERIAL	ASTM	NOTES
1	OUTLET	1	DUCTILE IRON		
2	CAP	1	DUCTILE IRON		
3	PIPE GLAND	2	DUCTILE IRON	A536 65-45-12	
4	GASKET	2	EPDM		EPDM FOR H615,616
5	SIDE PACKING	2	EPDM		EPDM FOR H615,616
6	PIPE PLUG	1	CAST IRON		
7	PIPE GLAND BOLTS & NUT	"N"	588-88 OR A242-91A	GRADE B OR TYPE 1	
8	SIDE BOLT NUTS	"P" "P"	STEEL ZINC PLATED STEEL ZINC PLATED	A307 GRADE A OR B B563 GRADE B	

DR BY	CAP	02/22/08	UNLESS OTHERWISE NOTED	THIRD ANGLE PROJECTION	C. D. NO.
CHKD	MCB	02/22/08	BREAK CAST CORNERS!		PART. NO.
ENGR	JWB	02/22/08	BREAK MACH CORNERS!		
MFR			TOLERANCES	REF. NO.	SCALE
MFG			UNLESS OTHERWISE NOTED	LINEAR ANGULAR	STR. NO.
TOOL			±		
FBRY					

ECO 1463408 STEEL ZINC PLATED WAS 304 S STEEL A307 WAS A193 A563 WAS A194 GRADE B WAS GRADE B CAST IRON WAS S STEEL CAP 02/27/08

ECO 1472886 STEEL ZINC PLATED WAS 304 S STEEL A563 WAS A194 GRADE B WAS GRADE B CAST IRON WAS S STEEL MCB 5/23/08

ECO 1545381 CHANGED 23.19 TO 16.38 FROM PRINT JAB 09/02/10

ECO 1583826 16.313 WAS REMOVED NITRILE FROM TABLE 13.313 REMOVED 19 FROM TITLE JAB 02/09/12

ECO 1606590 REMOVED 30"-36" FROM TABLE 16.313 WAS REMOVED NITRILE FROM TABLE 13.313 REMOVED 19 FROM TITLE JAB 11/09/12

**APPROVED**  
By Charles Graham Hines at 1:04 pm, Nov 12, 2012

MAT'L NOTED

**Mueller Co.** 4"-24" H615 & H616 ASSEMBLY

NUMBER 6798