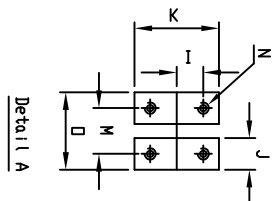
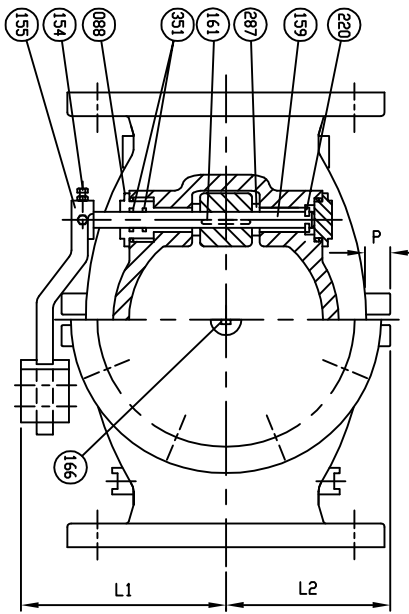
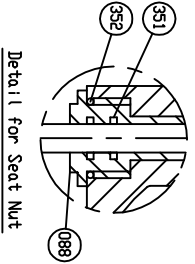
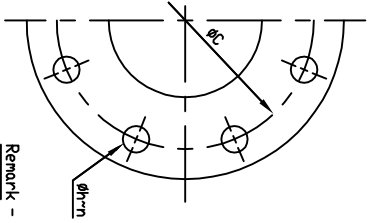
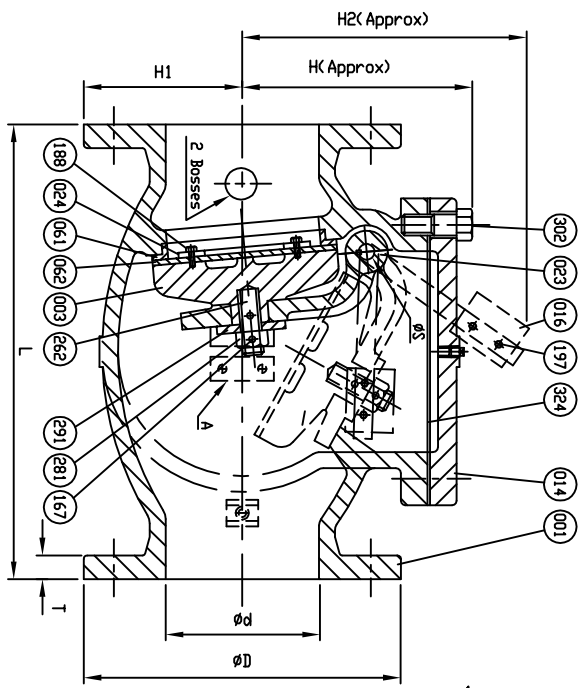


SUPPLIED WITH 8 MILS AMERLOCK 2 RED OXIDE EPOXY INTERIOR AND EXTERIOR OF THE VALVE

REFERENCE ONLY



VALVE SIZE	PLUG SIZE
2	1/2
2 1/2	1/2
3	1/2
4	1/2
6	3/4
8	3/4
10	1
12	1



Remark - Part No. 024 (Seat Holder) - size 2"-6" => Cast Iron
- size 8"-12" => Ductile Iron

SIZE IN. ØN mm.	L	ANSI B16.1 CL. 125					ØS	H	H1	H2	I	J	K	M	N	D	P	L1	L2
		ØD	ØC	ØH	n	T													
2 (50)	8	6	4 3/4	3/4	4	5/8	3/8	4 15/16	3	7 1/2	7/16	7/8	1 11/16	—	5/16x18V(UNC)	—	3/8	5 1/8	2 13/16
2 1/2 (65)	8 1/2	7	5 1/2	3/4	4	11/16	3/8	5 11/16	3 1/2	8 1/8	7/16	7/8	1 11/16	—	5/16x18V(UNC)	—	3/8	5 1/8	3 3/16
3 (80)	9 1/2	7 1/2	6	3/4	4	3/4	1/2	6 1/16	3 3/4	9 1/4	3/4	1 1/2	3	2 1/2	1/2x13V(UNC)	4	3/4	6 5/16	4 1/16
4 (100)	11 1/2	9	7 1/2	3/4	8	15/16	1/2	6 7/8	4 1/2	11 13/16	3/4	1 1/2	3	2 1/2	1/2x13V(UNC)	4	3/4	7 1/8	4 15/16
6 (150)	14	11	9 1/2	7/8	8	1	3/4	8 1/2	5 1/2	14 3/8	3/4	1 1/2	3	2 1/2	1/2x13V(UNC)	4	3/4	8 1/16	5 15/16
8 (200)	19 1/2	13 1/2	11 3/4	7/8	8	1 1/8	7/8	9 15/16	6 3/4	17 3/8	7/8	1 3/4	3 1/2	3 1/4	5/8x11V(UNC)	5	1 1/4	10 7/8	8 1/16
10 (250)	24 1/2	16	14 1/4	1	12	1 3/16	1	11 3/16	8	21 1/2	7/8	1 3/4	3 1/2	3 1/4	5/8x11V(UNC)	5	1 1/4	12 1/4	9 3/16
12 (300)	27 1/2	19	17	1	12	1 1/4	1 1/8	13 9/16	9 1/2	24 1/16	7/8	1 3/4	3 1/2	3 1/4	5/8x11V(UNC)	5	1 1/4	14 3/8	10 13/16

QTY	DESCRIPTION	MATERIAL	TEST PRESSURE
1	Retaining Plug	Brass	400 PSI.
2	D-Ring C	Rubber (Buna N)	200 PSI.
2	D-Ring B	Rubber (Buna N)	200 PSI.
1	Gasket	Rubber (Buna N)	200 PSI.
1	Cover Bolt	Zinc Coated Steel	200 PSI.
1	Washer	Brass	200 PSI.
2	Spacer	Brass	200 PSI.
1	Disc Nut	Brass	200 PSI.
1	Disc Stud	Brass	200 PSI.
1	Snap Ring	Stainless Steel	200 PSI.
2	Weight Bolt & Nut	Zinc Coated Steel	200 PSI.
1	Disc Seat Bolt	Stainless Steel	200 PSI.
2	Pin	Stainless Steel	200 PSI.
1	Plug	Stainless Steel	200 PSI.
1	Key	Stainless Steel	200 PSI.
1	Hinge Pin	Stainless Steel	200 PSI.
1	Weight Arm	Ductile Iron	200 PSI.
2	Bolt & Nut	Zinc Coated Steel	200 PSI.
1	Seat Nut	Brass	200 PSI.
1	Disc Seat Ring	Rubber (Buna N)	200 PSI.
1	Body Seat Ring	Bronze	200 PSI.
1	Seat Holder	See Remark	200 PSI.
1	Arm	Ductile Iron	200 PSI.
1	Weight	Cast Iron	200 PSI.
1	Cover	Cast Iron	200 PSI.
1	Disc	Cast Iron	200 PSI.
1	Body	Cast Iron	200 PSI.

MUELLER CO.

500 WEST ELDRADO ST. P.O. BOX 671 DECATUR, IL 62525	PHONE: 217-423-4471
SCALE: N.T.S.	DATE: 10/20/10 REF. DWG: 1361D
DR. JON COLPAN	ECN.
APP.	

SIZE 2" TO 12" SWING CHECK VALVE AMWA C508
BRONZE BODY SEAT RING & BUNA N DISC SEAT RING
WITH ONE LEVER AND WEIGHT

TEST PRESSURE: 200 PSI.

WORKING PRESSURE: 200 PSI.

HYDRO VALVE SEAT: 200 PSI.

HYDRO BACK SEAT: 200 PSI.

AIR SEAT: 200 PSI.

STEAM: 200 PSI.

REV. 2