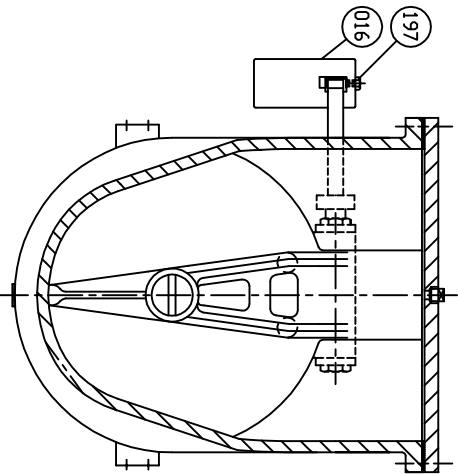
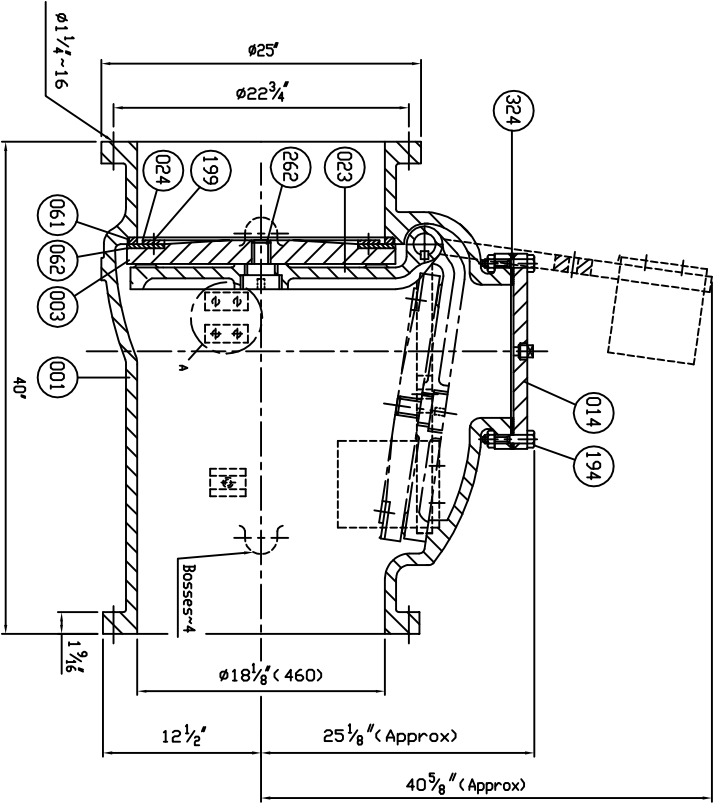
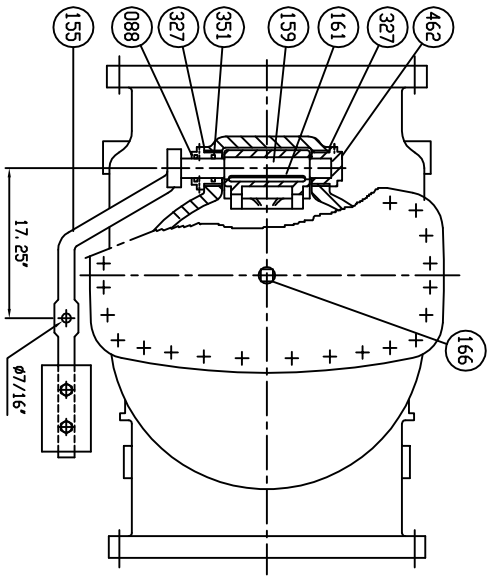


SUPPLIED WITH 8 MILS AMERLOCK 2 RED OXIDE EPOXY INTERIOR AND EXTERIOR OF THE VALVE

REFERENCE ONLY



Marking  
 18  
 CNE  
 150 PSI  
 AWMA C508  
 CI  
 SERIES 8000

Remark - Flanged dimensions follow ANSI B16.1 Cl. 125

Part No.	Part Description	Material	ASTM Designation	QTY
462	Retaining Plug	Brass	B 21	1
351	D-Ring	Rubber (Buna N)	D 2000 RK 707	2
327	Gasket	Rubber (Buna N)	D 2000 RK 807	2
324	Cover Gasket	Rubber (Buna N)	D 2000 RK 807	1
262	Disc Bolt	Stainless Steel	A 276 Type 304	1
199	Seat Holder Bolt	Stainless Steel	A 276 Type 304	1set
197	Weight Bolt	Zinc Coated Steel	A 307 Grade B	2
194	Cover Bolt & Nut	Zinc Coated Steel	A 307 Grade B	1set
166	Plug $\phi 1/2"$	Stainless Steel	A 276 Type 304	1
161	Key	Stainless Steel	A 276 Type 304	1
159	Hinge Pin	Stainless Steel	A 276 Type 304	1
155	Weight Arm	Ductile Iron	A 536 Gr. 65-45-12	1
088	Seat Nut	Brass	B 21	1
062	Disc Seat Ring	Rubber (Buna N)	D 2000 RK 807	1
061	Body Seat Ring	Bronze	B 62	1
024	Seat Holder	Ductile Iron	A 536 Gr. 65-45-12	1
016	Weight	Cast Iron	A 126 Class B	1
023	Arm	Ductile Iron	A 536 Gr. 65-45-12	1
014	Cover	Cast Iron	A 126 Class B	1
003	Disc	Cast Iron	A 126 Class B	1
001	Body	Cast Iron	A 126 Class B	1

Part No.	Part Description	Material	ASTM Designation	QTY
<b>HYDRD SHELL</b>				
	HYDRD VALVE SEAT		300 PSI.	
	HYDRD BACK SEAT		150 PSI.	
	AIR SEAT		PSI.	
	STEAM		PSI.	
	WORKING PRESSURE		150 PSI.	
	TEST PRESSURE		PSI.	

**MUELLER CO.**

300 WEST ELDONADO ST. P.O. BOX 671 DECATUR, IL 62525 PHONE: 217-423-4471

SCALE: N.T.S. DR. JON COLPAN DATE 10/20/10 REV. DMC. USA1323D

TYPE: A2602-6B11W DRAW NO. M80007 REV. 1

REVISION 1, CHANGED ITEM 166 MTRL. TYPE FROM MALLEABLE IRON A47 TO, U.C. 03/08/11, ECR# 456