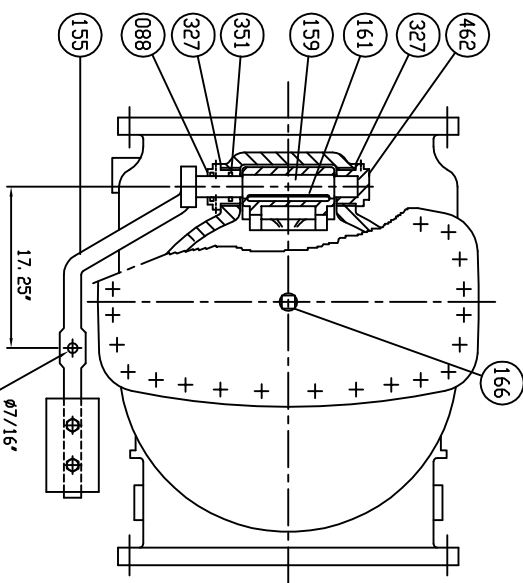


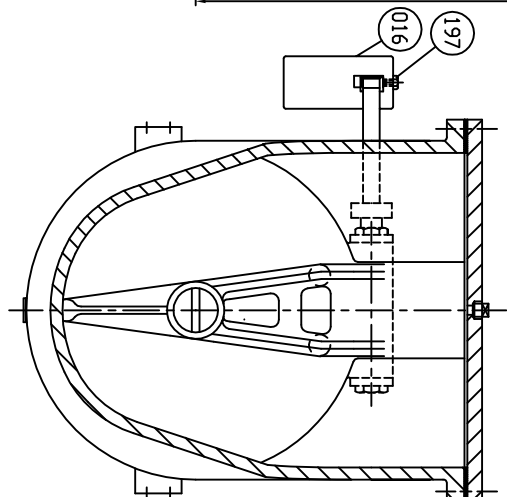
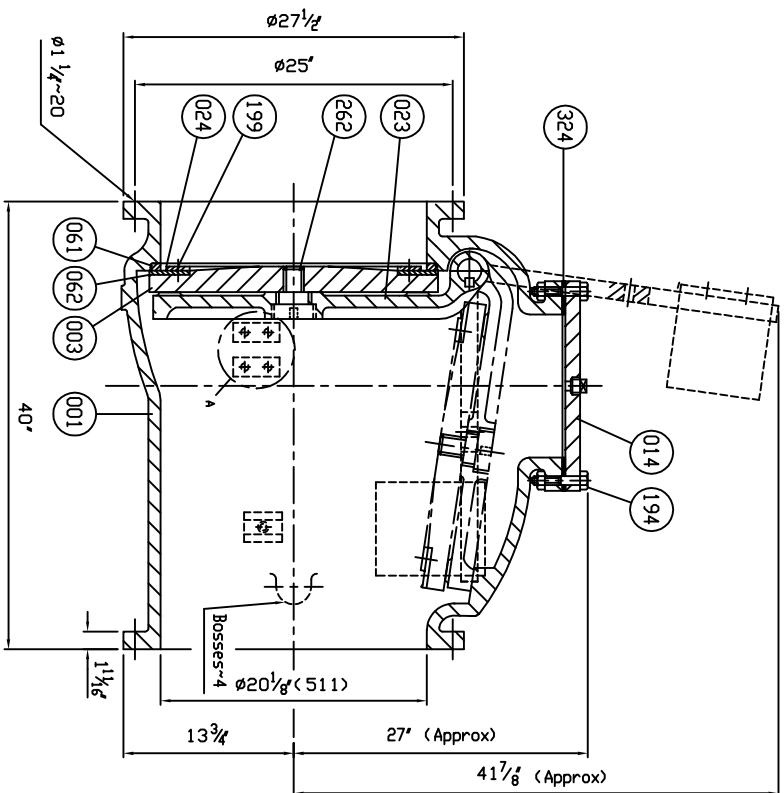
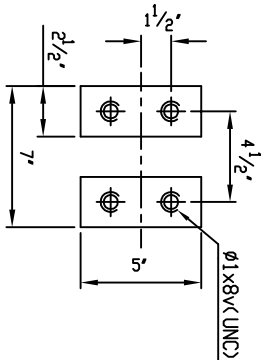
SUPPLIED WITH 8 MILS AMERLOCK 2 RED OXIDE EPOXY INTERIOR AND EXTERIOR OF THE VALVE

REFERENCE ONLY



Marking

20
CONE
150 PSI
AWMA C508
SERIES 8000
CI
CI



Remark - Flanged dimensions follow ANSI B16.1 CL. 125

Part No.	Description	Material	Quantity	ASTM Designation	QTY
462	Retaining Plug	Brass	B 21		1
351	D-Ring	Rubber (Buna N)	D 2000 BK 707		2
327	Gasket	Rubber (Buna N)	D 2000 BK 807		2
324	Cover Gasket	Rubber (Buna N)	D 2000 BK 807		1
262	Disc Bolt	Stainless Steel	A 276 Type 304		1
199	Seat Holder Bolt	Stainless Steel	A 276 Type 304		1 set
197	Weight Bolt	Zinc Coated Steel	A 307 Grade B		2
194	Cover Bolt & Nut	Zinc Coated Steel	A 307 Grade B		1 set
166	Plug 1/2"	Stainless Steel	A 276 Type 304		1
161	Key	Stainless Steel	A 276 Type 304		1
159	Hinge Pin	Stainless Steel	A 276 Type 304		1
155	Weight Arm	Ductile Iron	A 536 Gr. 65-45-12		1
088	Seat Nut	Brass	B 21		1
062	Disc Seat Ring	Rubber (Buna N)	D 2000 BK 807		1
061	Body Seat Ring	Bronze	B 62		1
024	Seat Holder	Ductile Iron	A 536 Gr. 65-45-12		1
016	Weight	Cast Iron	A 126 Class B		1
023	Arm	Ductile Iron	A 536 Gr. 65-45-12		1
014	Cover	Cast Iron	A 126 Class B		1
003	Disc	Cast Iron	A 126 Class B		1
001	Body	Cast Iron	A 126 Class B		1

Part No.	Description	Material	Quantity	ASTM Designation	QTY
MATERIAL LIST					
HYDRD SHELL 300 PSI.					
HYDRD VALVE SEAT 150 PSI.					
HYDRD BACK SEAT PSI.					
AIR SEAT PSI.					
STEAM TEST PRESSURE PSI.					
WORKING PRESSURE 150 PSI.					

MUELLER CO.

500 WEST ELDONADO ST. P.O. BOX 671 DECATUR, IL 62526
 DR. JON COLPAN DATE 10/20/10 REF. DWG. USA1324B
 N.T.S. CHK. APP. ECK.

SIZE 20" SWING CHECK VALVE AWMA C508
 BRONZE BODY SEAT RING & BUNA N DISC SEAT RING
 WITH ONE LEVER AND WEIGHT

TYPE: A2602-6B1LW DWG NO. M80009 REV. 1