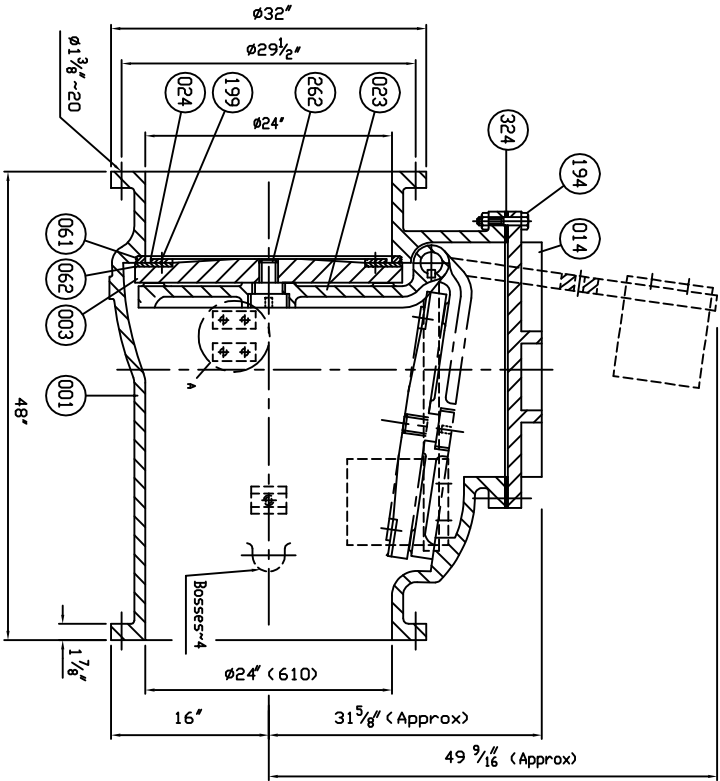
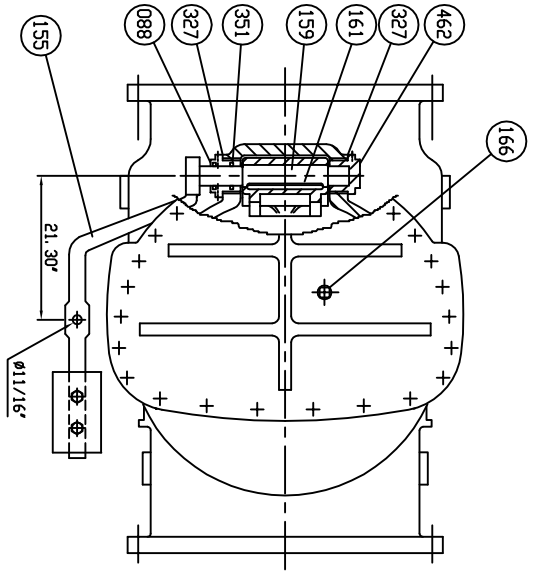
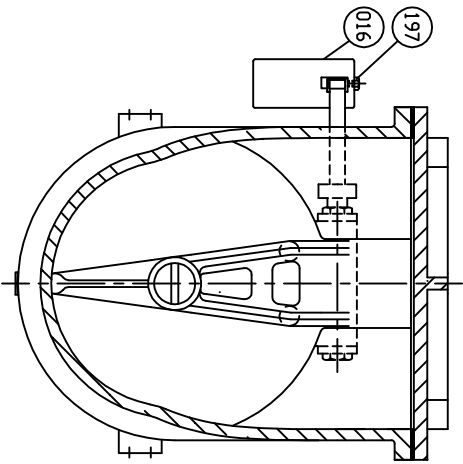
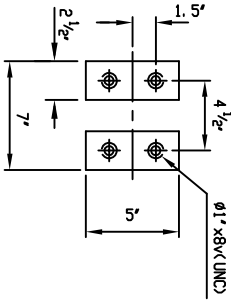


SUPPLIED WITH 8 MILS AMERLDOCK 2 RED OXIDE EPOXY INTERIOR AND EXTERIOR OF THE VALVE

REFERENCE ONLY



Marking  
 24  
 CONE  
 150 PSI  
 AWWA C508  
 C1  
 SERIES 8000



NO.	DESCRIPTION	MATERIAL	QTY
462	Retaining Plug	Brass	1
351	D-Ring	Rubber (Buna N)	2
327	Gasket	Rubber (Buna N)	2
324	Cover Gasket	Rubber (Buna N)	1
262	Disc Bolt	Stainless Steel	1
199	Seat Holder Bolt	Stainless Steel	1
197	Weight Bolt	Zinc Coated Steel	2
194	Cover Bolt & Nut	Stainless Steel	1set
166	Plug 01/2"	Stainless Steel	1
161	Key	Stainless Steel	1
159	Hinge Pin	Stainless Steel	1
155	Weight Arm	Ductile Iron	1
088	Seat Nut	Brass	1
062	Disc Seat Ring	Rubber (Buna N)	1
061	Body Seat Ring	Bronze	1
024	Seat Holder	Ductile Iron	1
016	Weight	Cast Iron	1
023	Arm	Ductile Iron	1
014	Cover	Cast Iron	1
003	Disc	Cast Iron	1
001	Body	Cast Iron	1

TEST PRESSURE	WORKING PRESSURE
300 PSI	150 PSI
150 PSI	
PSI	
PSI	
PSI	

MUELLER CO.

500 WEST ELDORADO ST. P.O. BOX 971 DECATUR, IL 62525 PHONE: 217-423-4471

SCALE: N.T.S. CHK: JON COLPAN DATE: 10/20/10 PER: DMC USA1325E

TITLE: SIZE 24" SWING CHECK VALVE AWWA C508 BRONZE BODY SEAT RING & BUNA N DISC SEAT RING WITH ONE LEVER AND WEIGHT

TYPE: A2602-6B11W TIME NO.: M80011 REV: 1

REVISION 1, CHANGED ITEM 166 MTRL. TYPE FROM MALLEABLE IRON A47 TO, U.C. 03/08/11, ECR# 456

Remark - Flanged dimensions follow ANSI. B16.1 CL. 125