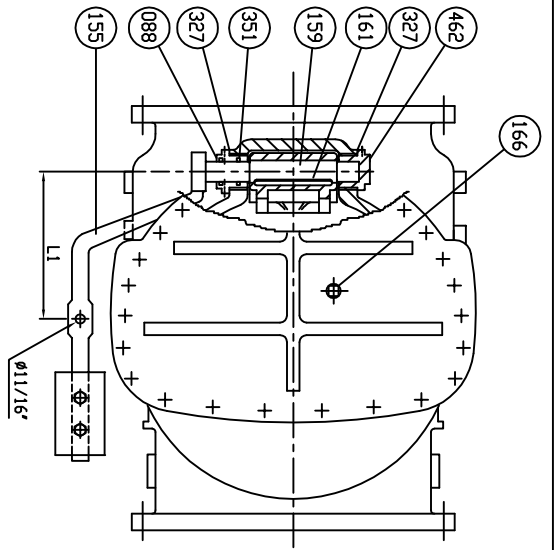
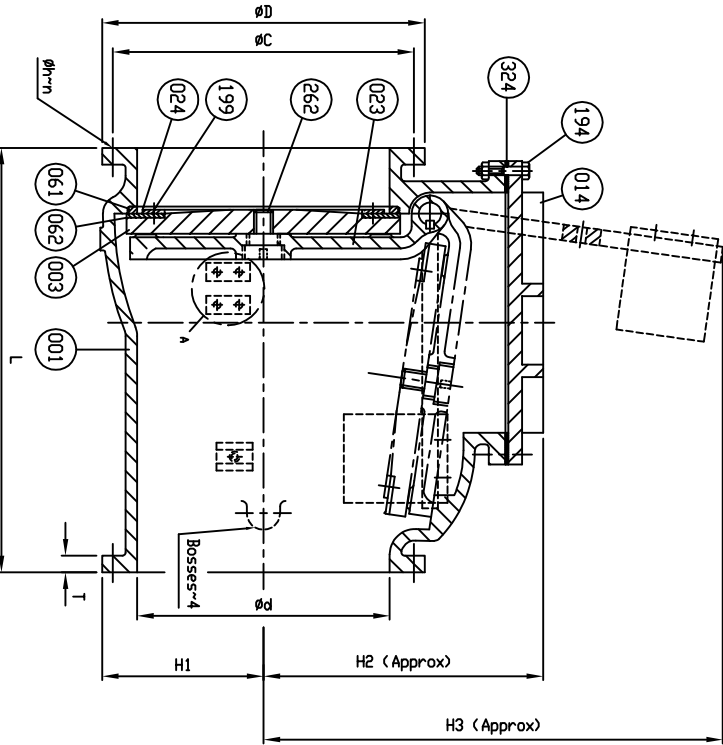
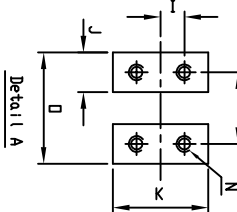


SUPPLIED WITH 8 MILS AMERLOCK 2 RED OXIDE EPOXY INTERIOR AND EXTERIOR OF THE VALVE

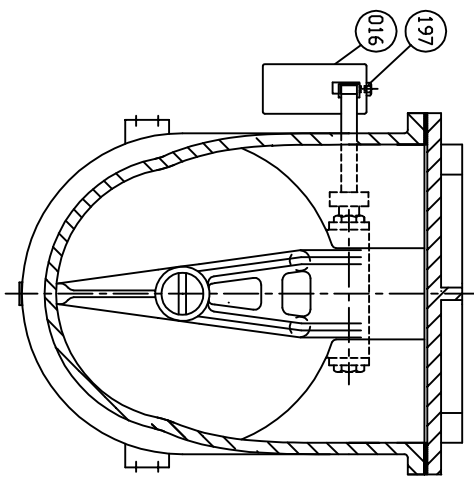


Marking
 SIZE (INCH)
 CONE
 150 PSI
 AWMA C508
 C1
 SERIES 8000
 200-
 C1



SIZE ϕD	L	ANSI B16.1 CL. 125					H1	H2	H3	L1	I	J	K	M	N	O
		ϕD	ϕC	ϕh	n	t										
30	52 1/2	38 3/4	36	1 3/8	28	2 1/8	19 3/8	36 3/8	62 5/8	27 3/4	2 1/2	3 1/8	7 1/2	5 1/2	3/8 x 11/16 (UNC)	8 1/16
36	60 1/2	46	42 3/4	1 5/8	32	2 3/8	23	40	65 3/8	17 1/2	2 1/2	3 1/8	7 1/2	5 1/2	3/8 x 11/16 (UNC)	8 1/16

REFERENCE ONLY



462	351	327	324	262	199	197	194	155	159	161	166	161	155	088	062	061	024	016	023	014	003	001	ND
Retaining Plug	D-Ring	Gasket	Cover Gasket	Disc Bolt	Seat Holder Bolt	Weight Bolt	Cover Bolt & Nut	Plug $\phi 1/2"$	Key	Hinge Pin	Weight Arm	Seat Nut	Disc Seat Ring	Body Seat Ring	Seat Holder	Weight	Arm	Cover	Disc	Body			
Brass	Rubber (Buna N)	Rubber (Buna N)	Rubber (Buna N)	Stainless Steel	Stainless Steel	Zinc Coated Steel	Zinc Coated Steel	Stainless Steel	Stainless Steel	Stainless Steel	Ductile Iron	Brass	Rubber (Buna N)	Bronze	Ductile Iron	Cast Iron	Ductile Iron	Cast Iron	Cast Iron	Cast Iron	Cast Iron	Cast Iron	
B 21	D 2000 BK 707	D 2000 BK 807	D 2000 BK 807	A 276 Type 304	A 276 Type 304	A 307 Grade B	A 307 Grade B	A 276 Type 304	A 276 Type 304	A 276 Type 304	A 536 Gr. 65-45-12	B 21	D 2000 BK 807	B 62	A 536 Gr. 65-45-12	A 126 Class B	A 536 Gr. 65-45-12	A 126 Class B	A 126 Class B	A 126 Class B	A 126 Class B	A 126 Class B	
1	2	2	1	1	1	2	1	1	1	1	1	1	1	1	1	1	1	1	1	1	1	1	1
MATERIAL LIST																							
HYDRD SHELL 300 PSI.																							
HYDRD VALVE SEAT 150 PSI.																							
HYDRD BACK SEAT — PSI.																							
AIR SEAT — PSI.																							
STEAM — PSI.																							
WORKING PRESSURE 150 PSI.																							
TEST PRESSURE — PSI.																							
MUELLER CO.																							
900 WEST ELSDORADO ST. P.O. BOX 671 DECATUR, IL 62525 PHONE: 317-423-4471																							
SCALE N.T.S. IR: JON COLPAN DATE 10/20/10 REF. DIMS. USA1326C																							
CHK: APP: EGN:																							
TITLE SIZE 30" AND 36" SWING CHECK VALVE AWMA C508 BRONZE BODY SEAT RING & BUNA N DISC SEAT RING WITH ONE LEVER AND WEIGHT																							
TYPE: A2602-6B1LW												DWG NO. M80013											
REV. 1																							

REVISION 1, CHANGED ITEM 166 MTRL. TYPE FROM MALLEABLE IRON A47 TO, UIC, 03/08/11, ECR# 456