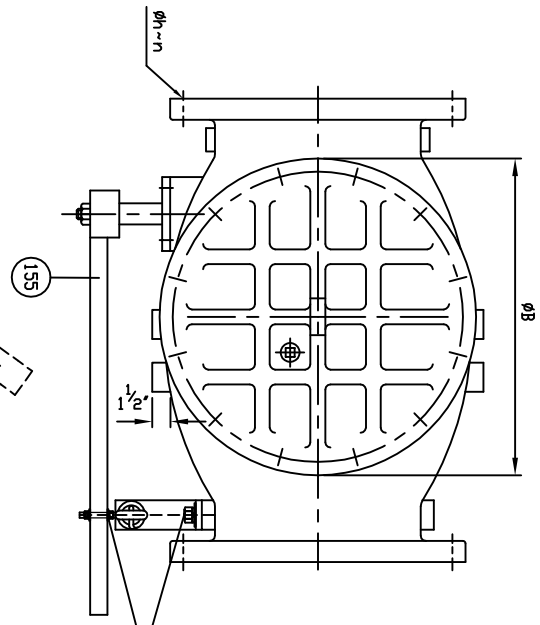


SUPPLIED WITH 8 MILS AMERLOCK 2 RED OXIDE EPOXY INTERIOR AND EXTERIOR OF THE VALVE

REFERENCE ONLY



Marking

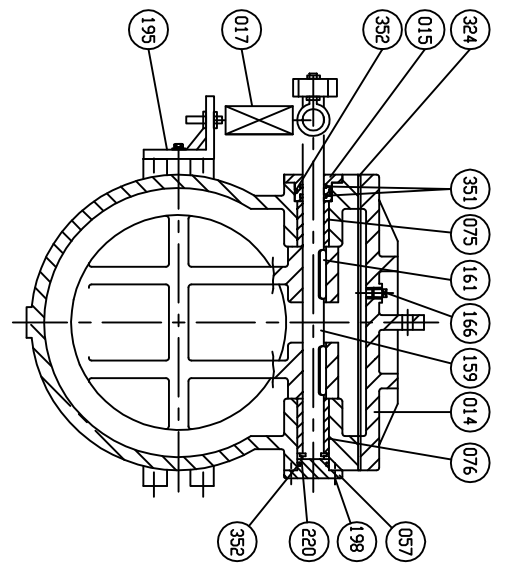
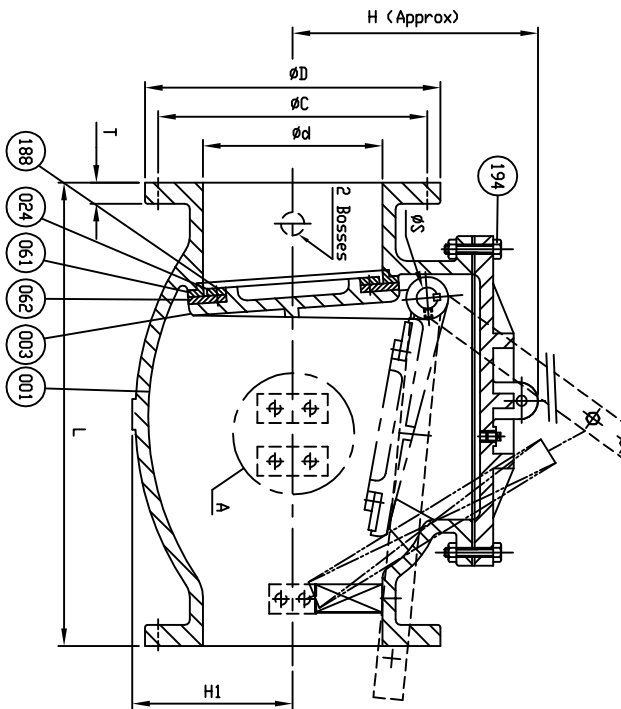
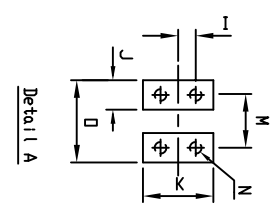
SIZE (INCH) SCI.

CONE SCI.

150 CWP YEAR

AWMA C508 POURING DATE

SERIES 8000



- Dimensions in inches

SIZE ød in. mm.	L	ANSI B16.1 CL. 125				øS	øB	H	H1	I	J	K	M	N	D
		øD	øC	øh	n										
14 (350)	31	21	18 3/4	1 1/8	12	1 3/8	22 3/16	19 5/16	12 1/16	1	2 1/8	4 1/2	4	3/4 x 10 (UNC)	6
16 (400)	36	23 1/2	21 1/4	1 1/8	16	1 7/16	24 1/8	21 1/2	13 1/4	1	2 1/8	4 1/2	4	3/4 x 10 (UNC)	6

REVISION 1, CHANGED ITEM 166 MTRL. TYPE FROM MALLEABLE IRON A47 TO, JC, 03/08/11, ECR# 456

REVISION 2, ADDED ITEM 220 SNAP RING MATERIAL TYPE, JC, 04/04/11, ECR# 491

REVISION 3, MUELLER PART NUMBER CHANGED FROM A2602-6B11S TO 8001AB11S, JC, 03/24/15, PER LARRY AULICH

463	Spring Hardware Kit	Stainless Steel	A 276 Type 304	1set
352	D-Ring C	Rubber (Buna N)	D 2000 BK 707	2
351	D-Ring B	Rubber (Buna N)	D 2000 BK 707	2
324	Cover Gasket	Rubber (Buna N)	D 2000 BK 807	1
220	Snap Ring	Stainless Steel	A 276 Type 420	1
198	End Plate Bolt	Zinc Coated Steel	A 307 Grade B	1set
195	Spring Bracket	Stainless Steel	A 276 Type 304	1
194	Cover Bolt & Nut	Zinc Coated Steel	A 307 Grade B	1set
188	Disc Seat Bolt	Stainless Steel	A 276 Type 304	1set
172	Spring ø1"	Spring Steel	Stainless Steel	1
166	Plug ø1"	Stainless Steel	A 276 Type 304	1
161	Key	Stainless Steel	A 276 Type 304	2
159	Hinge Pin	Stainless Steel	A 276 Type 304	1
155	Spring Arm	Ductile Iron	A 536 Gr. 65-45-12	1
076	Bushing (B)	Bronze	B 62	1
075	Bushing (A)	Bronze	B 62	1
062	Disc Seat Ring	Rubber (Buna N)	D 2000 BK 807	1
061	Body Seat Ring	Bronze	B 62	1
057	End Plate (B)	Ductile Iron	A 536 Gr. 65-45-12	1
024	Seat Holder	Ductile Iron	A 536 Gr. 65-45-12	1
015	End Plate (A)	Bronze	B 62	1
014	Cover	Cast Iron	A 126 Class B	1
003	Disc	Ductile Iron	A 536 Gr. 65-45-12	1
001	Body	Cast Iron	A 126 Class B	1

ND.	PARTS	MATERIAL	ASTM DESIGNATION	QTY
MATERIAL LIST				
	HYDRD SHELL		300	PSI.
	HYDRD VALVE SEAT		150	PSI.
	HYDRD BACK SEAT			PSI.
	AIR SEAT			PSI.
	STEAM			PSI.
	WORKING PRESSURE		150	PSI.
	TEST PRESSURE			

MUELLER CO.

500 WEST ELDORADO ST. P.O. BOX 671 DECATUR, IL 62525 PHONE: 217-423-4471

SCALE: N.T.S. DR. JON GOLPAN DATE: 02/22/11 REF. DWG. USA1362D

CHK. APP. E.C.N.

TITLE: SIZE 14" & 16" SWING CHECK VALVE AWMA C508
BRONZE BODY SEAT RING & BUNA N DISC SEAT RING
WITH ONE LEVER AND SPRING

TYPE: 8001AB11S DWG NO. M80022 REV. 3