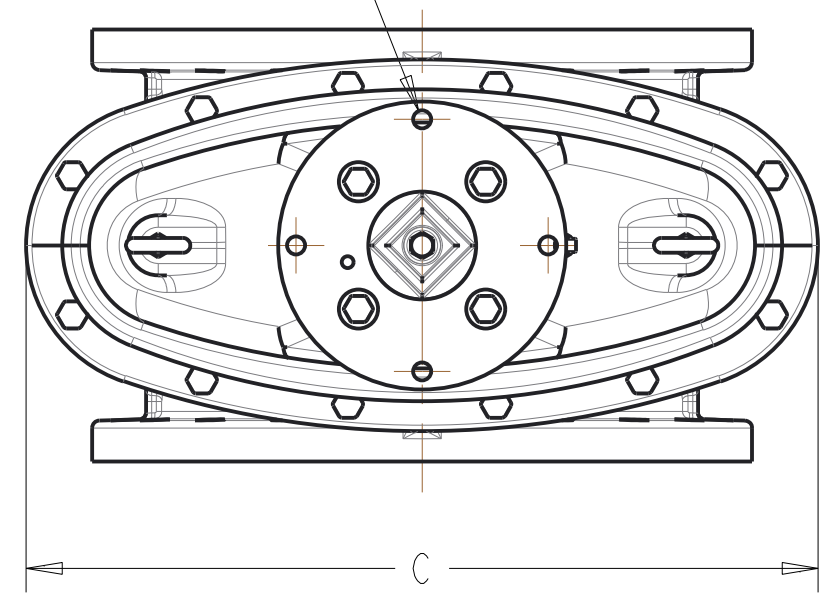
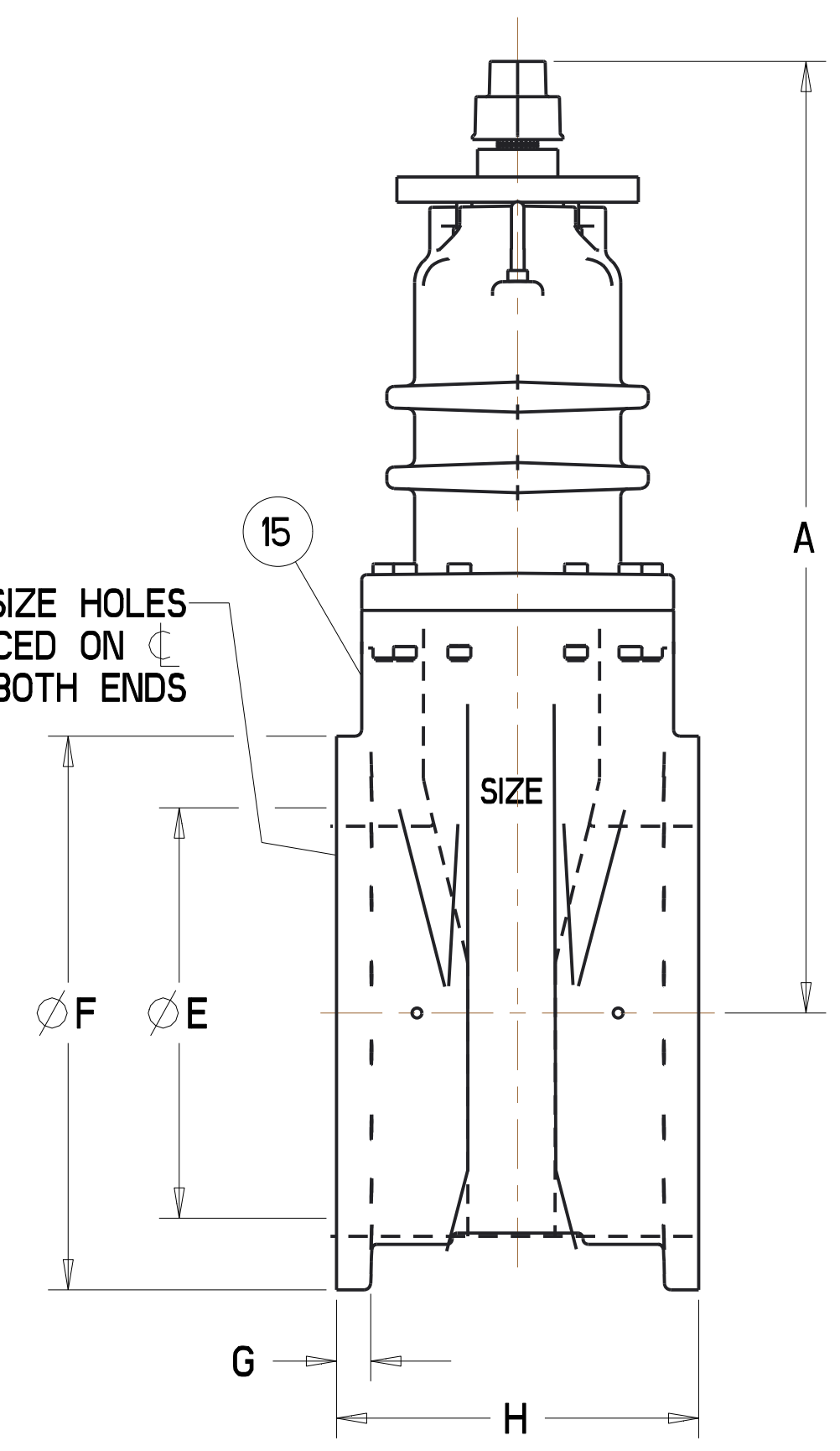


18 IN - 24 IN MUELLER P-2361 RESILIENT WEDGE POST INDICATOR GATE VALVE - NRS - ANWA - 250W - 500 TEST

Ø.75 - 4 HOLES
EQUALLY SPACED
ON Ø10.50 B.C. ABOUT C

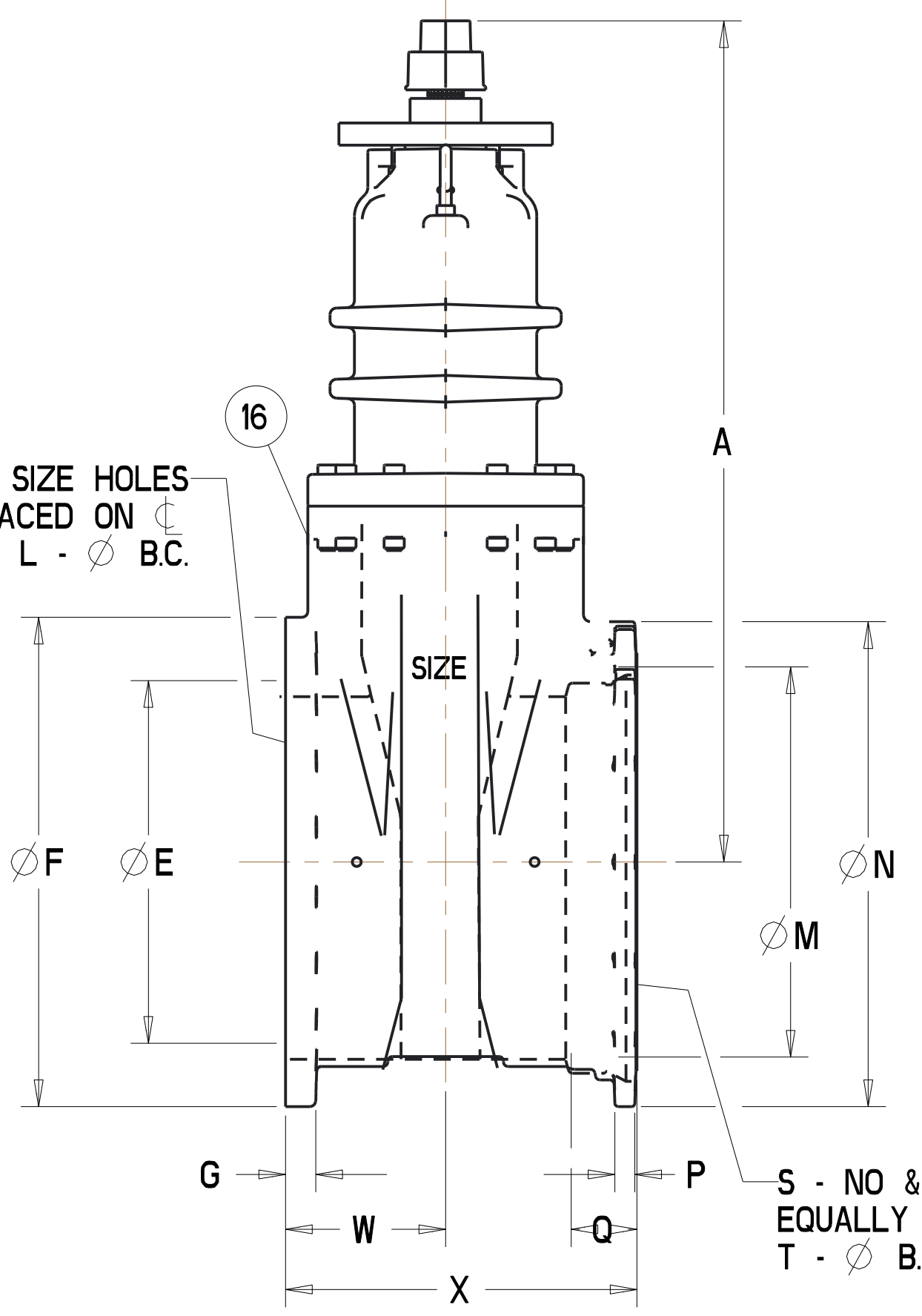


K - NO & SIZE HOLES
EQUALLY SPACED ON C
L - Ø B.C., BOTH ENDS



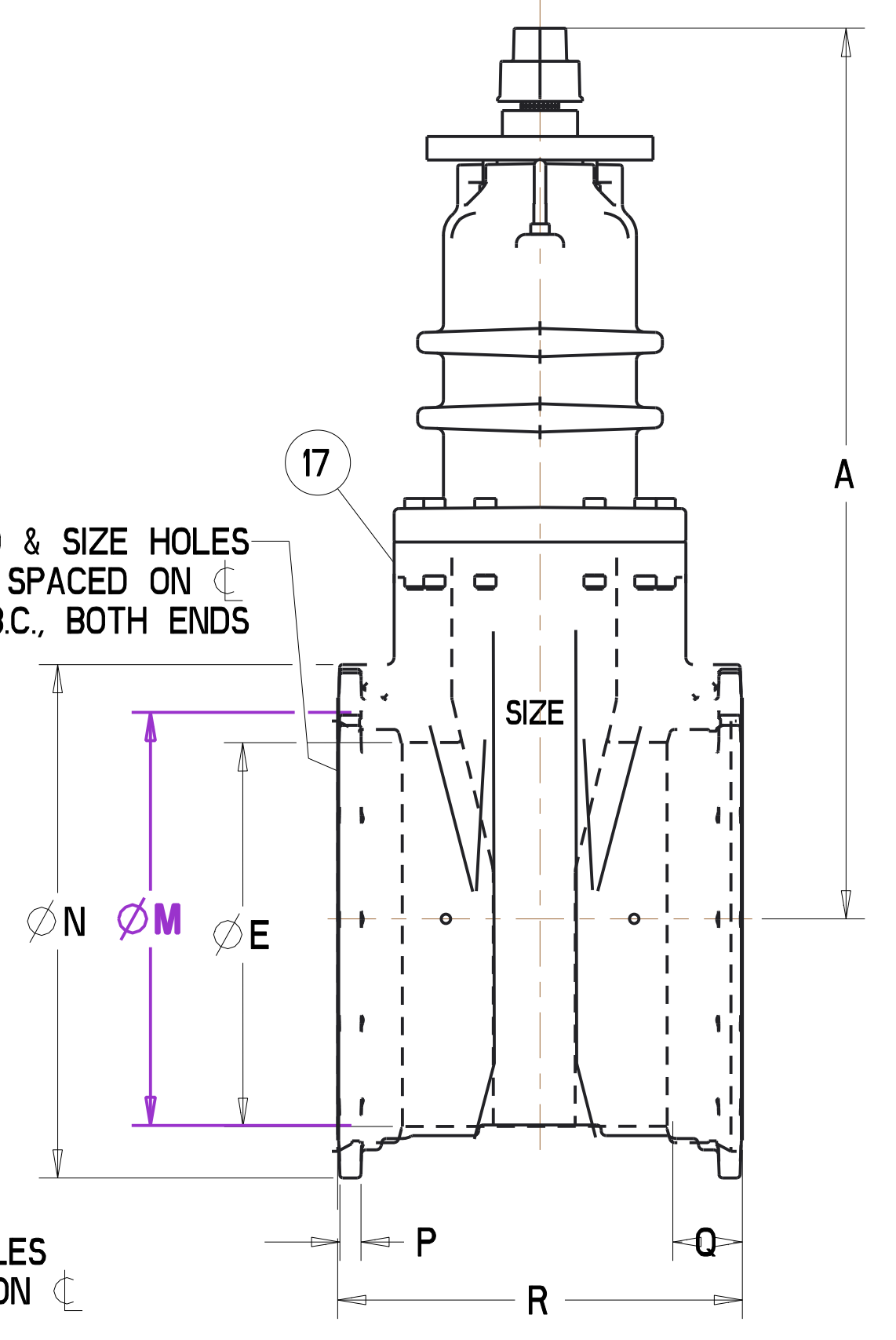
FLANGE ENDS

K - NO & SIZE HOLES
EQUALLY SPACED ON C
L - Ø B.C.

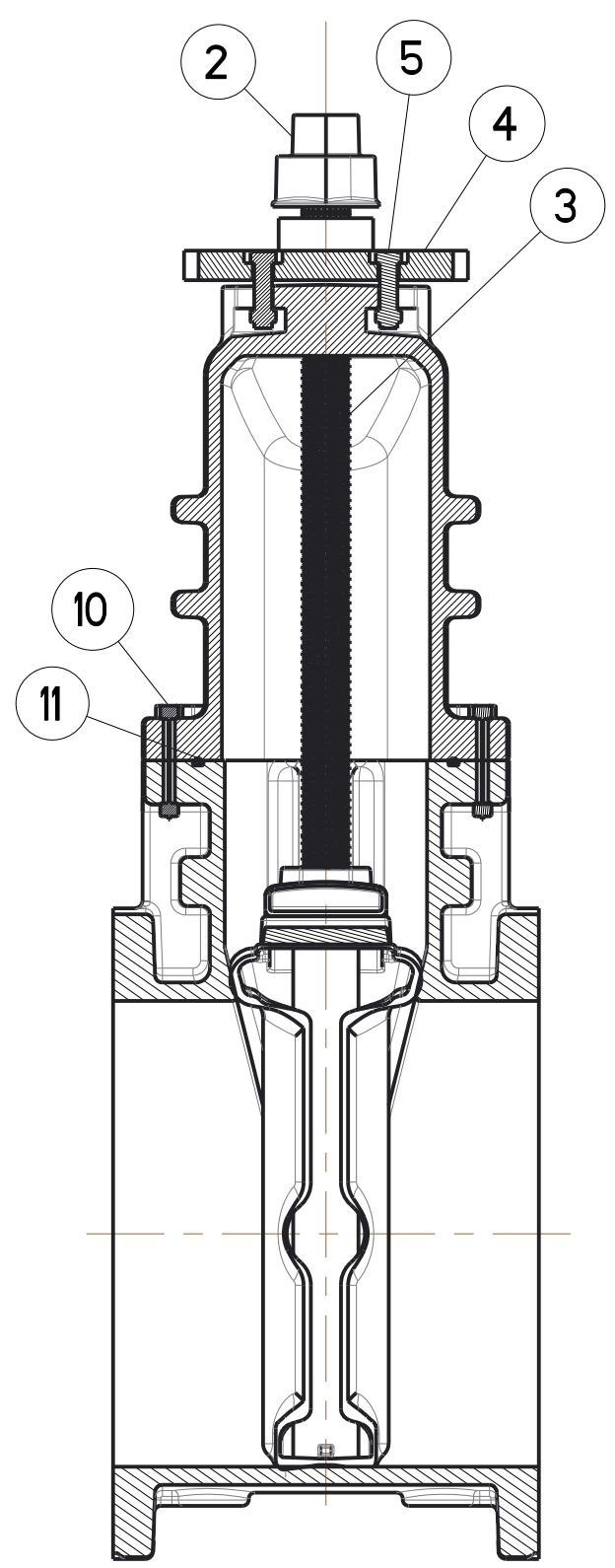
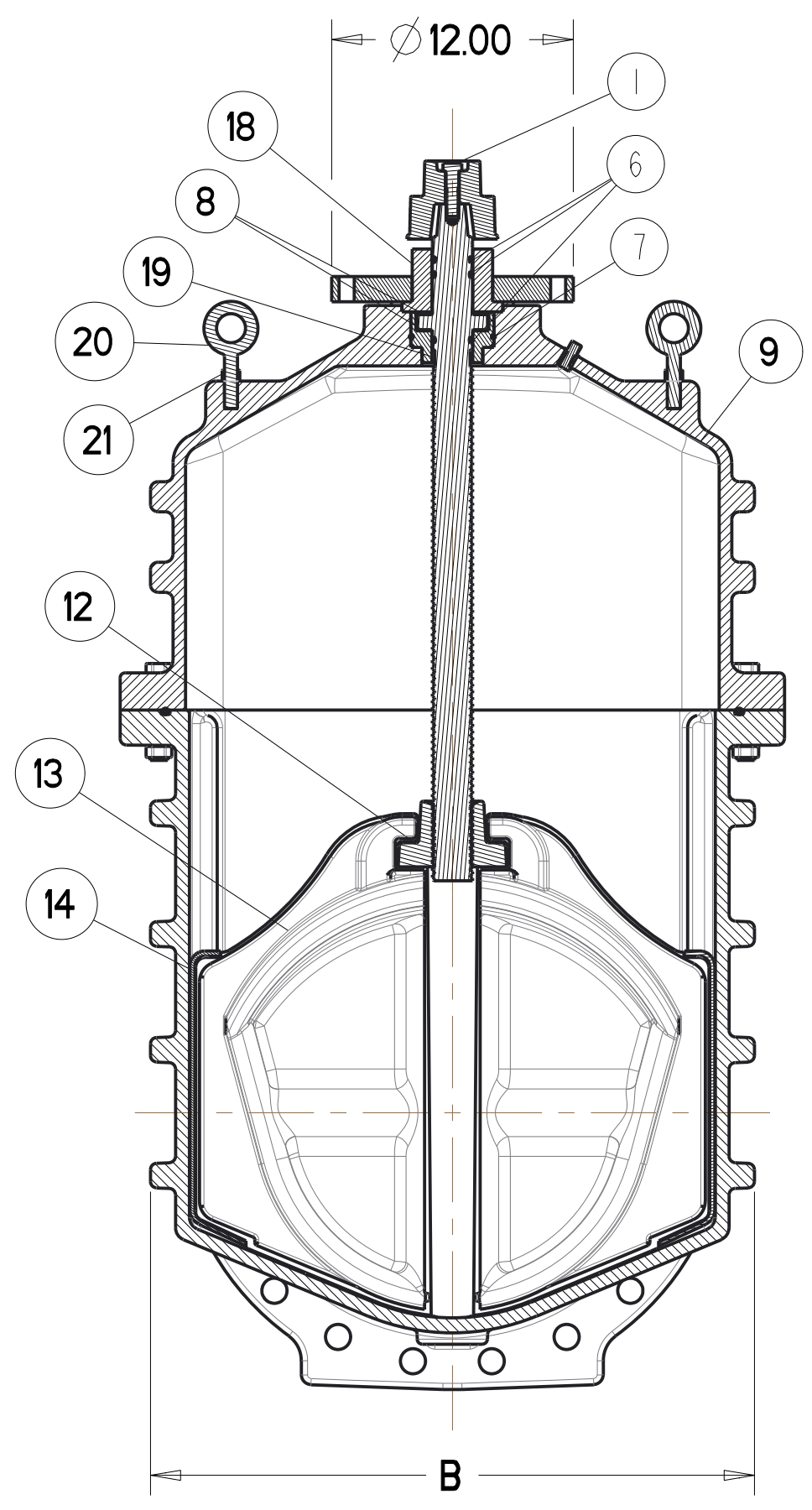


FLANGE X MECH JOINT ENDS

S - NO & SIZE HOLES
EQUALLY SPACED ON C
T - Ø B.C., BOTH ENDS



MECHANICAL JOINT ENDS



NOTES:

- RUBBER ENCAPSULATED DUCTILE IRON DISC
RUBBER - SBR ASTM D2000
DUCTILE IRON ASTM A536 GRADE 65-45-12
- BOLTS - SAE J429 GRADE 2
NUTS - ASTM A563 GRADE B
FASTENERS - PLATED TO ASTM F1941 CLASS Fe/Zn 12C
- MANUFACTURE'S OPTION TO UPGRADE MATERIAL TO
DI- A536 GRADE 65-45-12

PART LIST				
ITEM	DESCRIPTION	REQ'D	MATERIAL	ASTM
1	CAP SCREW (SEE NOTE 2)	1	STEEL	A307 SEE NOTE 2
2	WRENCH NUT	1	CAST IRON (SEE NOTE 3)	A126 CLASS B
3	STEM	1	BRONZE	B138 ALLOY C67600
4	STUFFING BOX	1	DUCTILE IRON	A536 GR. 65-45-12
5	STUFFING BOX BOLTS	2	STEEL	A307 SEE NOTE 2
	STUFFING BOX NUTS	2	STEEL	A307 SEE NOTE 2
6	O-RING	3	RUBBER	D2000 R34
7	O-RING	1	RUBBER	D2000 R34
8	ANTI-FRICTION WASHER	2	CELCON	M90
9	BONNET	1	CAST IRON (SEE NOTE 2)	A126 CLASS B
10	BONNET BOLTS	"Z"	STEEL	A307 SEE NOTE 2
	BONNET NUTS	"Z"	STEEL	A307 SEE NOTE 2
11	BONNET GASKET (O-RING)	1	RUBBER	D2000 R34
12	DISC NUT	1	BRONZE	B62 ALLOY C83600
13	DISC	1	SEE NOTE 1	
14	GUIDE CAP	2	CELCON	M90
15	BODY - FLANGE ENDS	1	DUCTILE IRON	A536 GR. 65-45-12
16	BODY - FLANGE x MJ ENDS	1	DUCTILE IRON	A536 GR. 65-45-12
17	BODY - MJ ENDS	1	DUCTILE IRON	A536 GR. 65-45-12
18	STUFFING BOX INSERT	1	CARBON STEEL	A36
19	BONNET BUSHING	1	BRONZE	B62 ALLOY C83600
20	EYEBOLT	2	STEEL	GALVANIZED
21	NUT	2	STEEL	A307 SEE NOTE 2

DIMENSIONS FOR MUELLER RESILIENT WEDGE VALVE - INCHES/LB UNLESS OTHERWISE IDENTIFIED																				
VALVE SIZE	A	B	C	E	F	G	H	K	L	M	N	P	Q	R	S	T	V	W	X	URNS TO OPEN
18	44.19	28.00	30.50	18.38	25.00	1.69	17.00	16 - Ø.125	Ø22.75	Ø19.64	Ø24.88	1.06	3.50	21.00	12 - Ø.88	Ø23.25	12	8.50	19.00	57
20	48.25	30.00	33.75	20.38	27.50	1.78	18.00	20 - Ø.125	Ø25.00	Ø21.74	Ø27.25	1.60	3.50	21.50	14 - Ø.88	Ø25.50	12	9.00	19.75	63
24	53.88	36.13	39.50	24.38	32.00	2.00	20.00	20 - Ø.138	Ø29.50	Ø25.94	Ø31.88	1.12	3.50	23.50	16 - Ø.88	Ø30.00	16	10.00	21.75	75

DR BY	JAB	9/16/09	UNLESS OTHERWISE NOTED	THIRD ANGLE PROJECTION	C.B. NO.
CHKD	NAF	9/17/09	BREAK CAST CORNERS		PART NO.
ENGR	CGH	9/17/09	BREAK MACH CORNERS		
MFG			TOLERANCES	FINISH	NO ASS'Y
TOOL			UNLESS OTHERWISE NOTED	REF. NO.	SCALE
FORM			LINEAR	ANGULAR	NONE
MAT'L			±	±	STK. NO.
NOTED					
Mueller Co.			DESCR.	18"-24" RWGV'S POST INDICATOR Z361, P-2361	NUMBER 6846