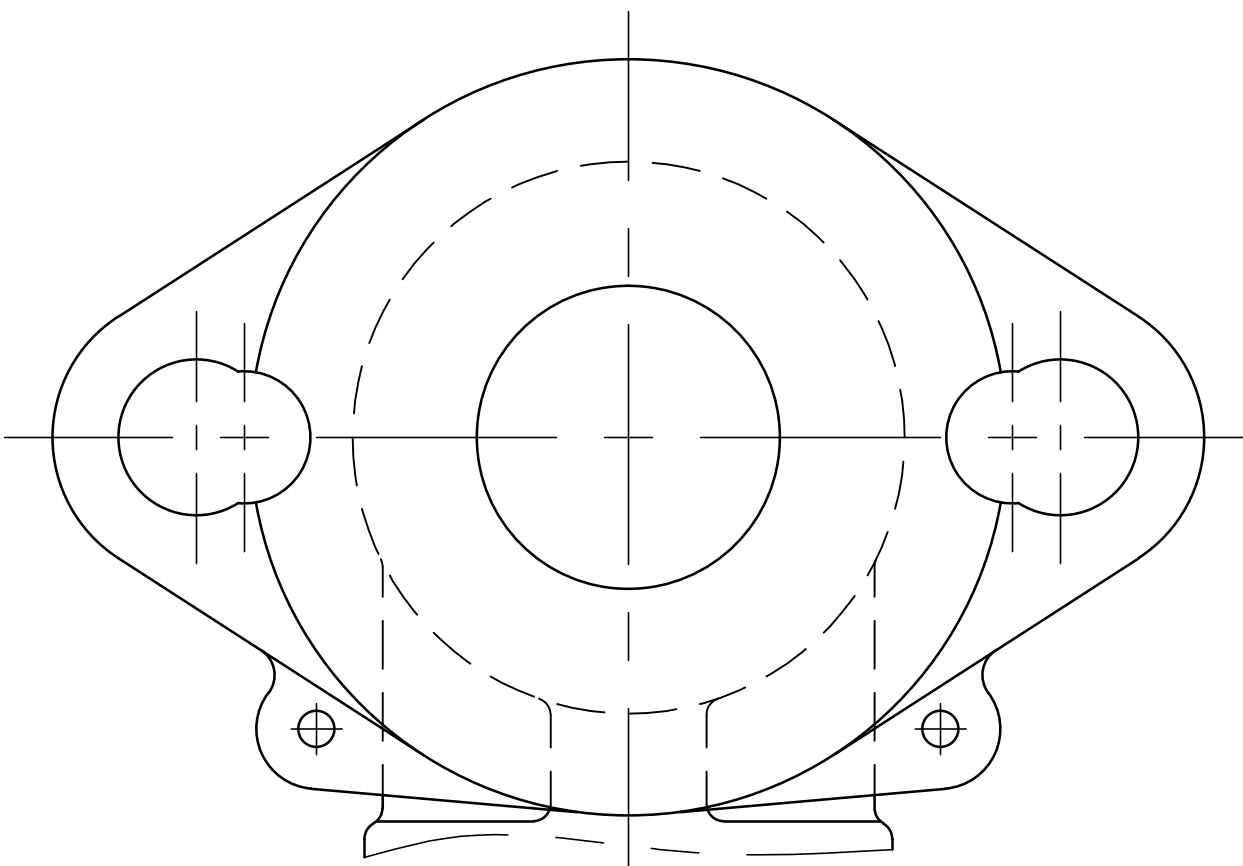
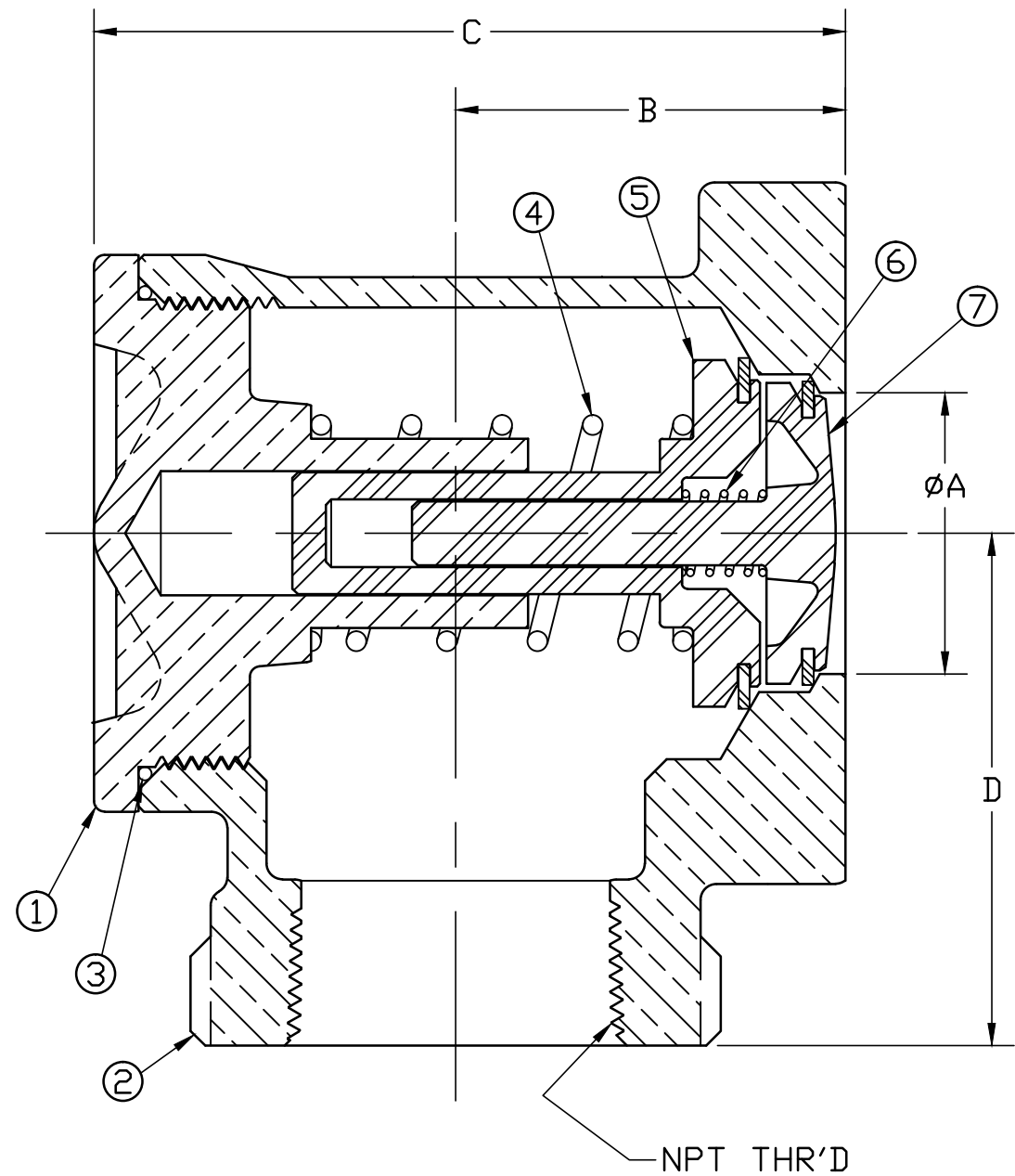


METER CONNX SIZE	A	B	C	D	NPT SIZE
1-1/2"	1.578	2.188	4.219	2.875	1-1/2"
2"	1.578	2.188	4.219	2.875	2"

No.	DESCRIPTION	MATERIAL
1	CAP	CAST LOW LEAD BRASS ALLOY
2	BODY	CAST LOW LEAD BRASS ALLOY
3	O-RING	EPDM D2000
4	SPRING	302 STAINLESS STEEL
5	POPPET ASS'Y	CELCON (M270) EPDM (D2000)
6	SPRING	302 STAINLESS STEEL
7	POPPET ASS'Y	CELCON (M270) EPDM (D2000)



NOTE: ALL WETTED PARTS ARE LOW LEAD BRASS ALLOY

FILEPATH: PROD-ENG\MUELLER\ASYSUBMITTALS\H14244NLG

DRFTR	jGarvin	6/13/12	Mueller Co.	THIRD ANGLE PROJECTION 	
CHKR					
ENGR					
MGR					
			UNLESS OTHERWISE NOTED	REF. No.	SCALE
			SURFACE PREPARATION:		FULL
			BREAK CORNER(S) ---- .000		
			SURFACE FINISH -- XX RMS		
			TOLERANCE(S):		
			LINEAR ----- ± .000		
			ANGULAR ----- ± 0°00'		
			STK No:		
			MAT'L:		
			DESCR.	1-1/2" & 2" ANGLE CHECK VALVE LOW LEAD BRASS (METER x FIP)	
			REV	DWG NUMBER	
			ECR	H14244NLG	
			DESCRIPTION		
			DATE		
			BY		
			CHKR		
			PER EST NO: DXXXX	EST FIN WT = 0.0000 lbs	

DWG NUMBER
H14244NLG
442-MRKTG

TITLE TO AND OWNERSHIP OF THIS ENGINEERING DATA REMAINS IN Mueller Co. NO USE IS TO BE MADE OF THIS DATA EXCEPT AS SPECIFICALLY AUTHORIZED BY Mueller Co. ASSENT ON THE PART OF THE RECIPIENT TO THESE CONDITIONS IS PRESUMED