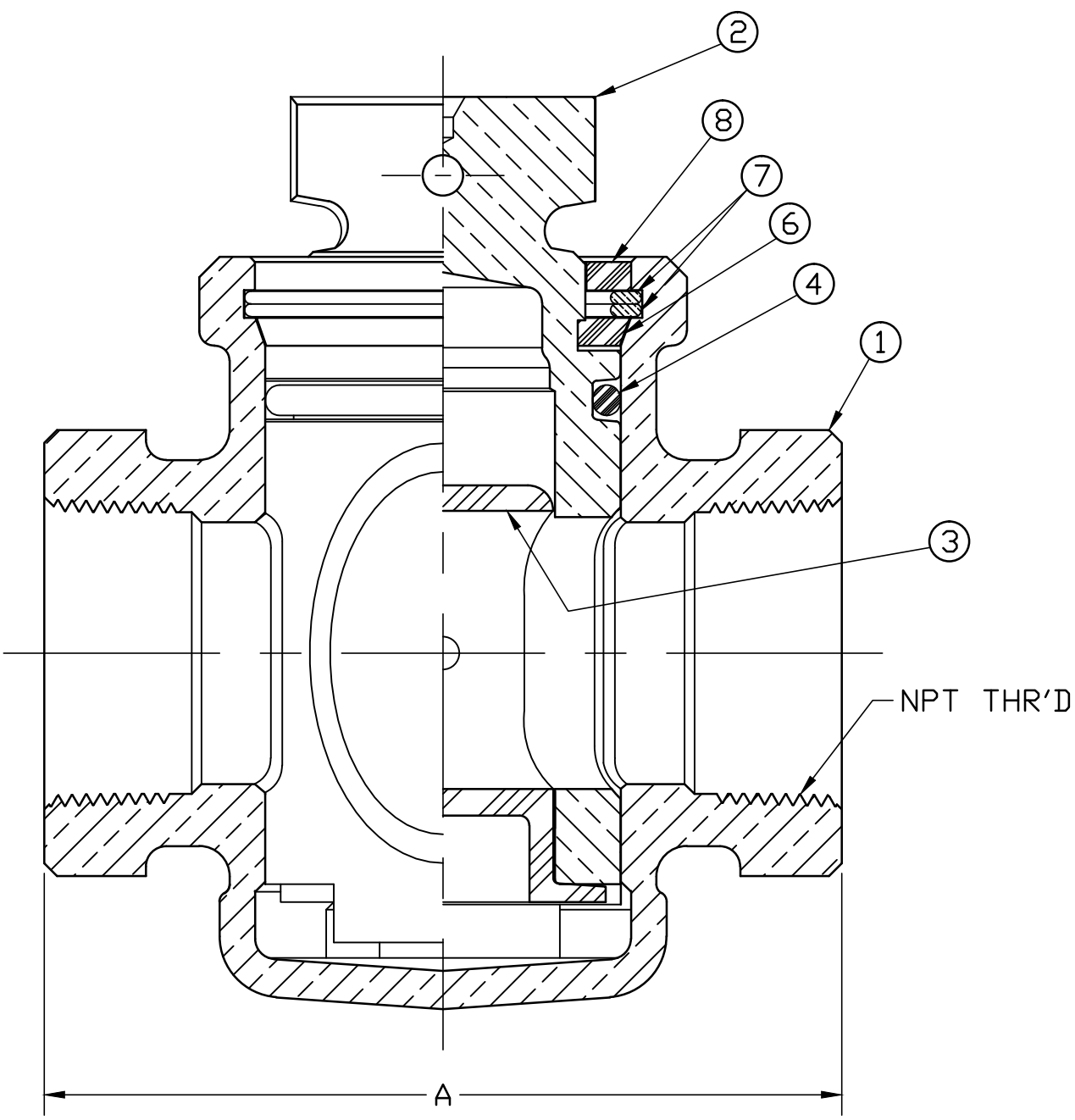


CATALOG No.	DRAIN
H10283N	NO DRAIN
H10284N	DRAIN

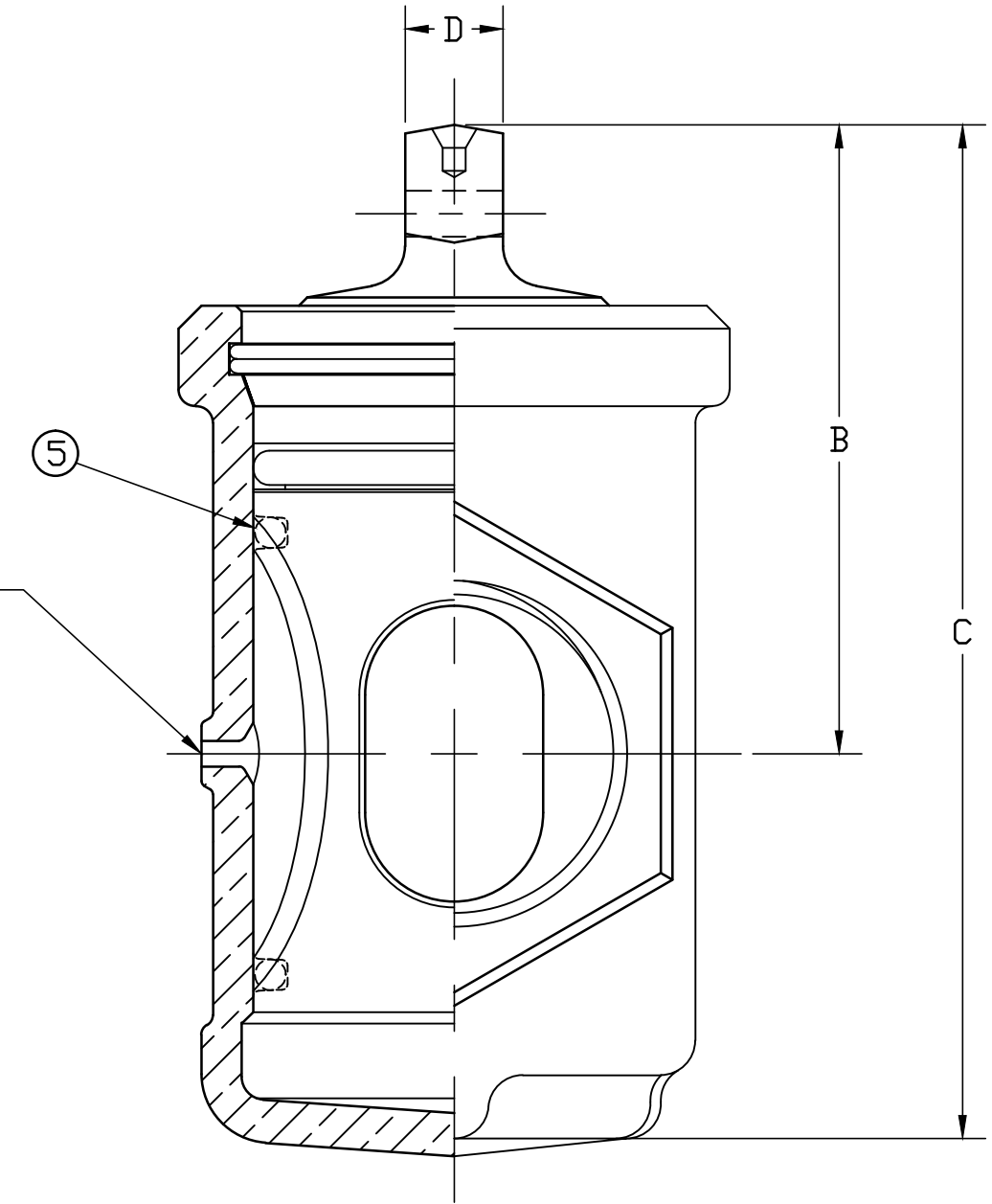
44²-MRKTNG

SIZE	A	B	C	D	NPT.
1/2	3.44	2.11	3.41	.44	1/2
3/4	3.22	1.92	3.17	.44	3/4
1	3.97	2.44	4.00	.44	1
1-1/4	4.38	2.64	4.38	.53	1-1/4
1-1/2	4.91	3.42	5.52	.53	1-1/2
2	5.56	3.70	6.05	.56	2

No.	DESCRIPTION	MATERIAL
1	BODY	CAST LOW LEAD BRASS ALLOY
2	KEY	CAST LOW LEAD BRASS ALLOY
3	INSERT	(ABS) CYCOLAC MG47N-NA1000 PLASTIC
4	O-RING	RUBBER, ASTM D-2000 EPDM
5	O-RING	RUBBER, ASTM D-2000 EPDM
6	THRUST WASHER	CELCON M90 NATURAL CF2001
7	RETAINING RING	PHOS. BRONZE ASTM B103 ALLOY C52100
8	TOP SEAL	RUBBER, MUELLER RUBBER CODE R8



DRAIN FEATURE
H10284N ONLY



NOTE: ALL WETTED PARTS ARE LOW LEAD BRASS ALLOY

FILEPATH: PROD-ENG\MUELLER\ASYSUBMITTALS\H10283N

DRF TR	RWB	2/12/10	Mueller Co.	
CHKR				
ENGR				
MGR				
UNLESS OTHERWISE NOTED			THIRD ANGLE PROJECTION	
SURFACE PREPARATION:			REF. No.	SCALE
BREAK CORNER(S) ---- .000				
SURFACE FINISH -- XX RMS				
TOLERANCE(S):			NONE	
LINEAR ----- ± .000				
ANGULAR ----- ± 0°00'				
BY			DATE	
STK No:				
MAT'L:				
DESCR.			MARK II ORISEAL ASSEMBLY LOW LEAD BRASS (FIP x FIP)	
DWG NUMBER			H10283N	

TITLE TO AND OWNERSHIP OF THIS ENGINEERING DATA REMAINS IN MUELLER CO. NO USE IS TO BE MADE OF THIS DATA EXCEPT AS SPECIFICALLY AUTHORIZED BY MUELLER CO. ASSENT ON THE PART OF THE RECIPIENT TO THESE CONDITIONS IS PRESUMED.

REV	ECR	DESCRIPTION	DATE	BY	CHKR
PER	EST	NO: DXXXX	EST	FIN	WT = 0.0000 lbs