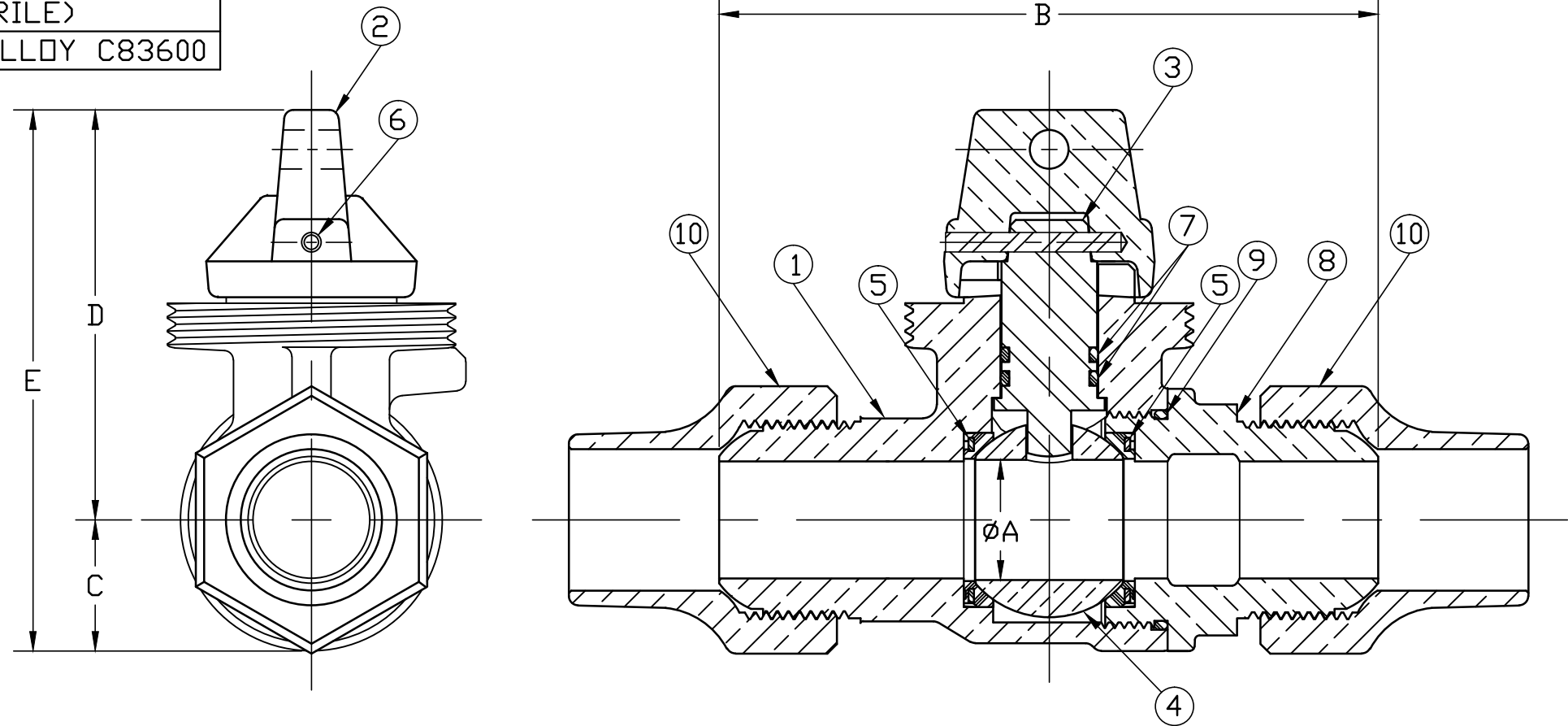


No.	DESCRIPTION	MATERIAL DESCRIPTION
1	BODY	CAST LOW LEAD BRASS ALLOY
2	CAP	CAST BRASS ASTM B62 ALLOY C83600
3	STEM	LOW LEAD BRASS ALLOY
4	BALL	LOW LEAD BRASS ALLOY
5	GASKET	ASTM D2000 (NITRILE)
6	SOLID PIN	AISI 303 STAINLESS STEEL
7	O-RING	ASTM D2000 (EP)
8	END PIECE	CAST LOW LEAD BRASS ALLOY
9	O-RING	ASTM D2000 (NITRILE)
10	TUBE NUT	CAST BRASS ASTM B62 ALLOY C83600

SIZE	ØA	B	C	D	E
3/4"	.75	4.23	.84	2.62	3.47
1"	1.00	5.53	1.15	2.82	3.97
1 1/2"	1.50	6.97	1.66	3.47	5.13
2"	2.00	8.69	2.00	3.80	5.80



ALL WETTED PARTS ARE LOW LEAD BRASS ALLOY

FILEPATH: PROD-ENG\MUELLER\ASYSUBMITTALS\B25154N

						DRFTR	RWB	6/20/13	Mueller Co.		UNLESS OTHERWISE NOTED THIRD ANGLE PROJECTION		
						CHKR							SURFACE PREPARATION: BREAK CORNER(S) ---- .000 SURFACE FINISH --XXX RMS
						ENGR					TOLERANCE(S): LINEAR ----- ± .000 ANGULAR ----- ± 0°00'		
						MGR						BY	DATE
									STK No:				
									MAT'L:				
									DESCR.		DWG NUMBER		
									INLINE MINN TOP LLB BALL CURB VALVE		B25154N		
									(CS x CS)				
									PER EST NO: X-XXXX EST FIN WT = 0.0000 lbs				

DWG NUMBER
B25154N
442-MRKTG

TITLE TO AND OWNERSHIP OF THIS ENGINEERING DATA REMAINS IN Mueller Co. NO USE IS TO BE MADE OF THIS DATA EXCEPT AS SPECIFICALLY AUTHORIZED BY Mueller Co. ASSENT ON THE PART OF THE RECIPIENT TO THESE CONDITIONS IS PRESUMED