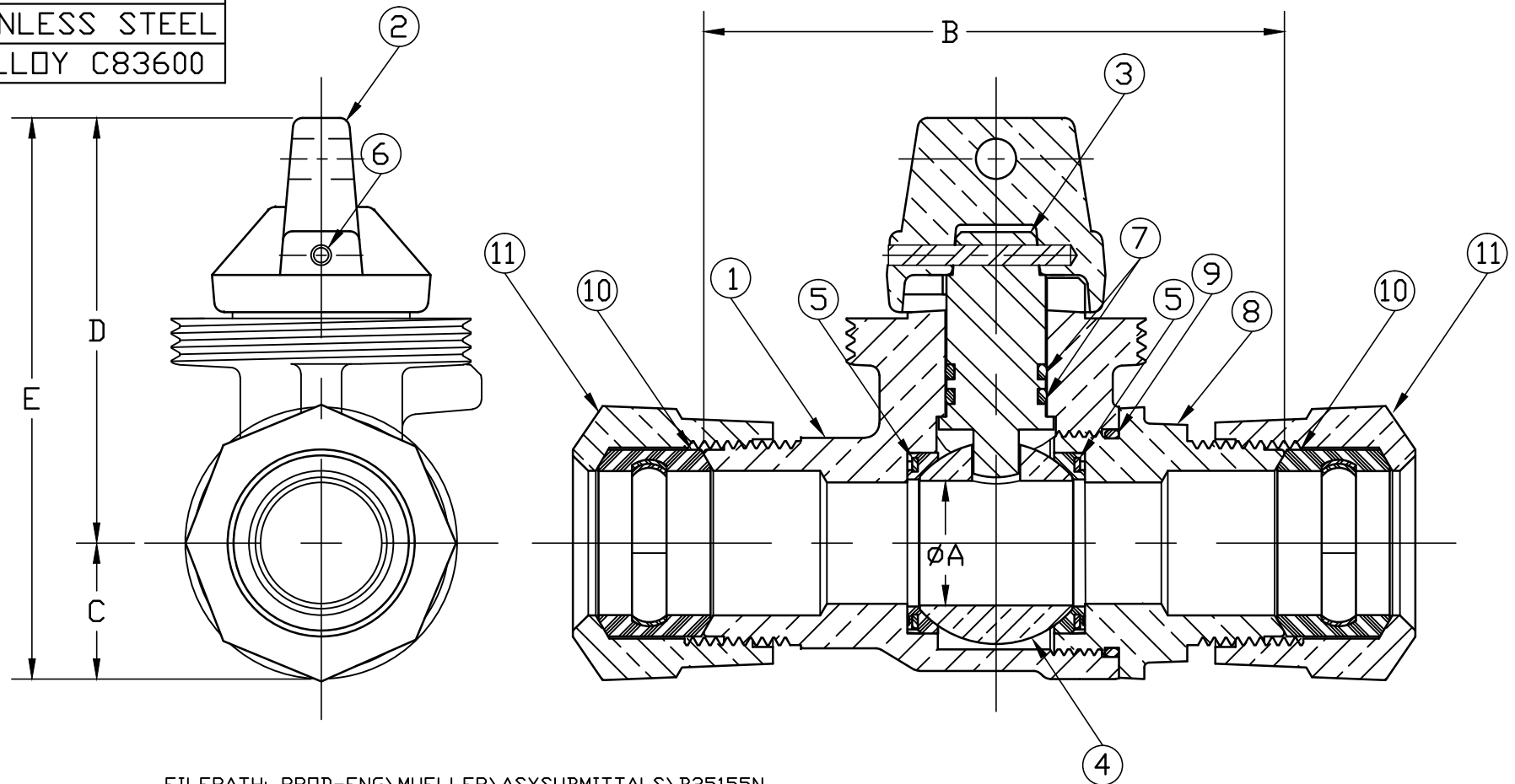


No.	DESCRIPTION	MATERIAL DESCRIPTION
1	BODY	CAST LOW LEAD BRASS ALLOY
2	CAP	CAST BRASS ASTM B62 ALLOY C83600
3	STEM	LOW LEAD BRASS ALLOY
4	BALL	LOW LEAD BRASS ALLOY
5	GASKET	ASTM D2000 (NITRILE)
6	SOLID PIN	AISI 303 STAINLESS STEEL
7	O-RING	ASTM D2000 (EP)
8	END PIECE	CAST LOW LEAD BRASS ALLOY
9	O-RING	ASTM D2000 (EP)
10	CTS GASKET SUB	ASTM D2000(SBR)&410 STAINLESS STEEL
11	CONN NUT	CAST BRASS ASTM B62 ALLOY C83600

ALL WETTED PARTS ARE LOW LEAD BRASS ALLOY

SIZE	ØA	B	C	D	E
3/4"	.75	3.35	.84	2.62	3.47
1"	1.00	4.48	1.15	2.82	3.97
1-1/4" R	1.00	4.96	1.15	2.82	3.97
1-1/2"	1.50	5.06	1.50	3.44	4.94
2"	2.00	5.50	1.82	3.77	5.59



FILEPATH: PROD-ENG\MUELLER\ASYSUBMITTALS\B25155N

DWG NUMBER
B25155N
442-MRKTG

TITLE TO AND OWNERSHIP OF THIS ENGINEERING DATA REMAINS IN Mueller Co. NO USE IS TO BE MADE OF THIS DATA EXCEPT AS SPECIFICALLY AUTHORIZED BY Mueller Co. ASSENT ON THE PART OF THE RECIPIENT TO THESE CONDITIONS IS PRESUMED

DRFTR	RWB	7/1/13	Mueller Co.	
CHKR				
ENGR				
MGR				
			UNLESS OTHERWISE NOTED	THIRD ANGLE PROJECTION
			SURFACE PREPARATION:	
			BREAK CORNER(S) ---- .000	
			SURFACE FINISH ---XXX RMS	REF. No.
			TOLERANCE(S):	SCALE
			LINEAR ----- ± .000	FULL
			ANGULAR ----- ± 0°00'	
			STK No:	
			MAT'L:	
			DESCR.	DWG NUMBER
			PER EST NO: DXXXX EST FIN WT = 0.0000 lbs	B25155N
			INLINE MINN TOP LLB BALL CURB VALVE (110CTS x 110CTS)	