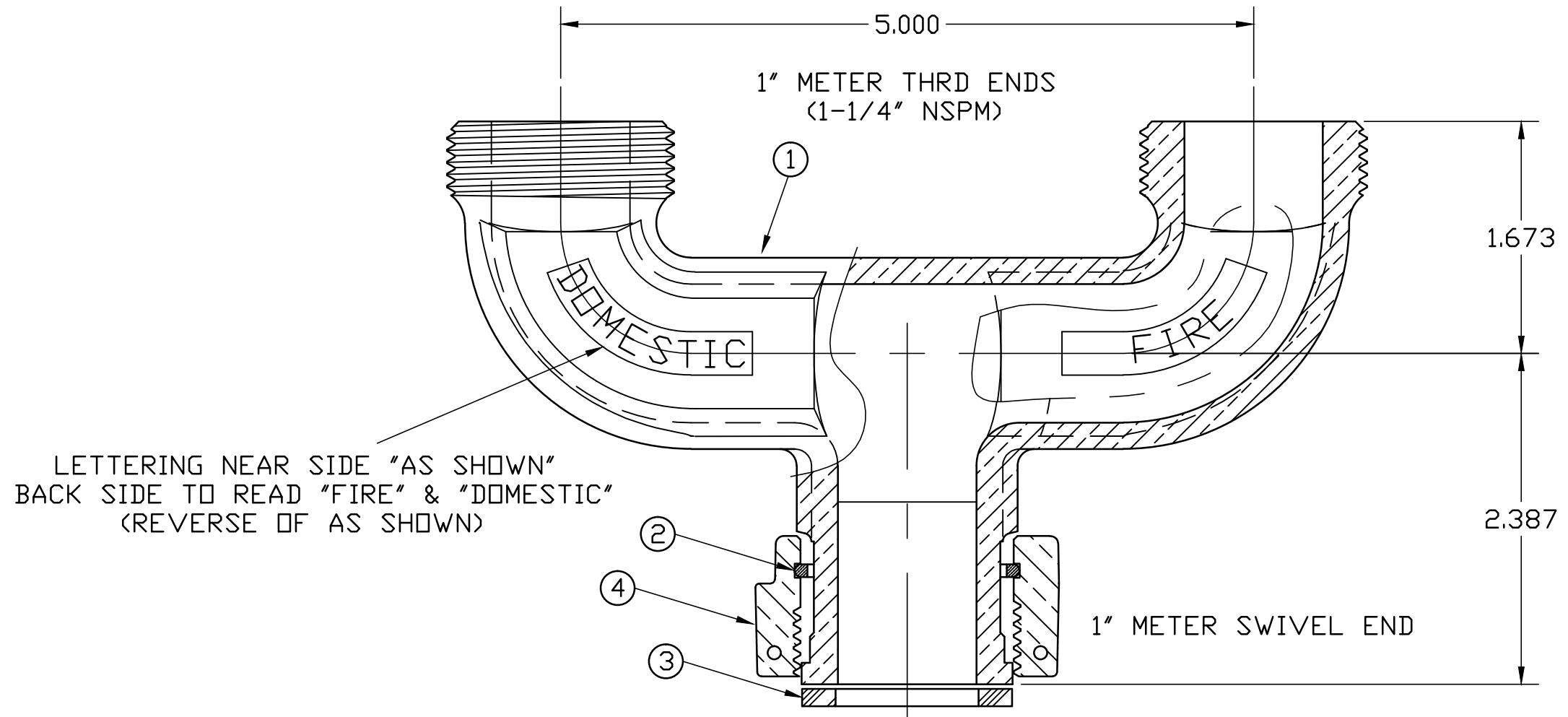


No.	DESCRIPTION	MATERIAL
1	U-BRANCH	CAST LOW LEAD BRASS ALLOY
2	SNAP RING	COPPER ALLOY WIRE CDA521
3	RUBBER GASKET	NITRILE ASTM D2000
4	METER NUT	CAST BRASS ASTM B62 ALLOY C83600



LETTERING NEAR SIDE "AS SHOWN"  
 BACK SIDE TO READ "FIRE" & "DOMESTIC"  
 (REVERSE OF AS SHOWN)

NOTE: ALL WETTED PARTS ARE LOW LEAD BRASS ALLOY

FILEPATH: PROD-ENG\MUELLER\ASYSUBMITTALS\H15375N

DRFTR	RWB	4/4/12	<b>Mueller Co.</b>		
CHKR					
ENGR					
MGR					
			UNLESS OTHERWISE NOTED	THIRD ANGLE PROJECTION	
			SURFACE PREPARATION:		
			BREAK CORNER(S) ---- .000	REF. No.	
			SURFACE FINISH -- XX RMS	SCALE	
			TOLERANCE(S):	FULL	
			LINEAR ----- ± .000		
			ANGULAR ----- ± 0°00'		
			STK No:		
			MAT'L:		
			DESCR.	DWG NUMBER	
			1" MTR x 1" MTR THRD LLB U-BRANCH	H15375N	
REV	ECR	DESCRIPTION	DATE	BY	CHKR

DWG NUMBER  
 H15375N  
 442-MRKTG

TITLE TO AND OWNERSHIP OF THIS ENGINEERING  
 DATA REMAINS IN Mueller Co. NO USE IS TO BE  
 MADE OF THIS DATA EXCEPT AS SPECIFICALLY  
 AUTHORIZED BY Mueller Co. ASSENT ON THE PART  
 OF THE RECIPIENT TO THESE CONDITIONS IS PRESUMED