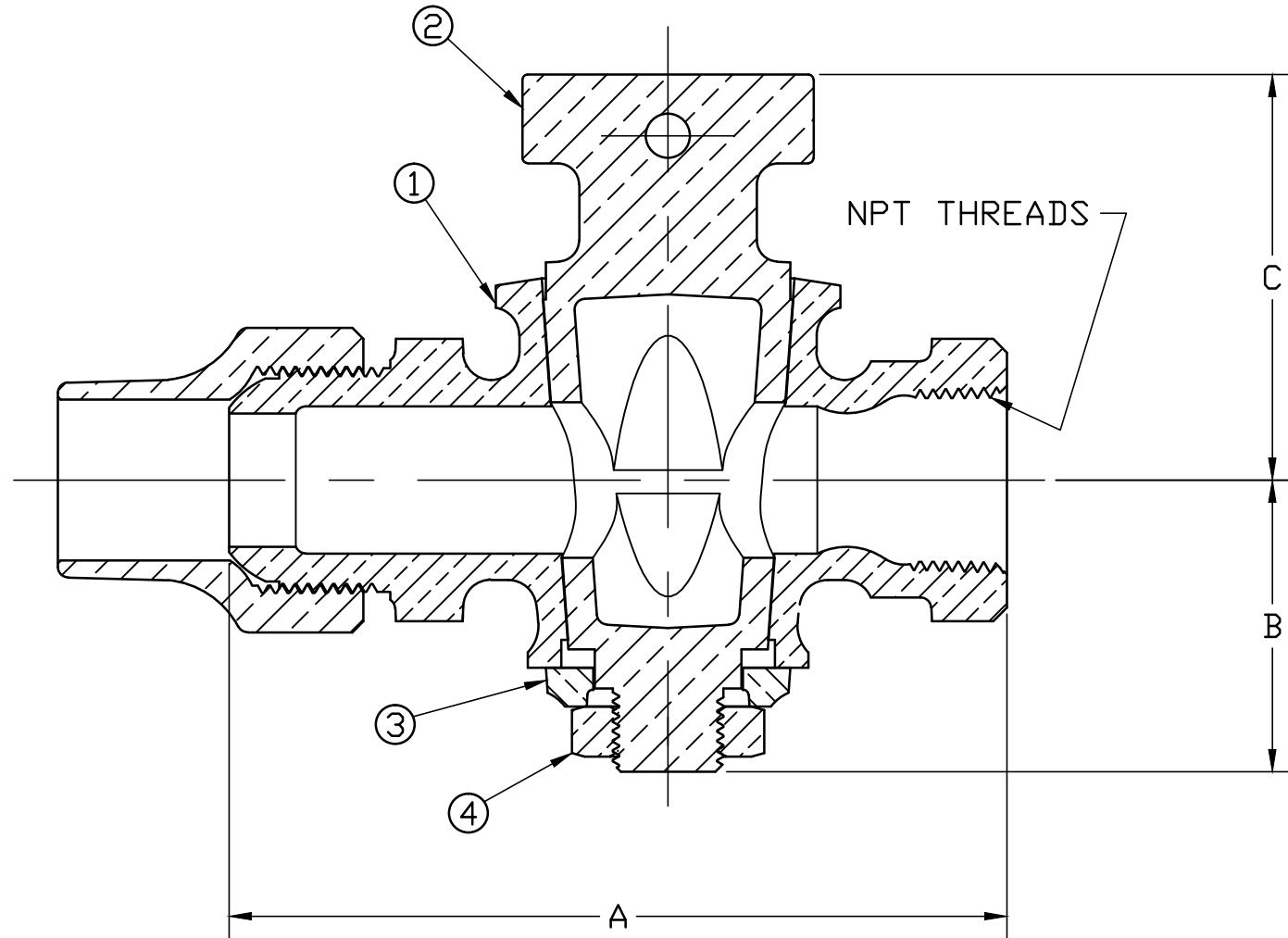


No.	DESCRIPTION	MATERIAL
1	BODY	CAST LOW LEAD BRASS ALLOY
2	KEY	CAST LOW LEAD BRASS ALLOY
3	KEY WASHER	CAST BRASS ASTM B62 ALLOY C83600
4	KEY NUT	CAST BRASS ASTM B62 ALLOY C83600
5	TUBE NUT	CAST BRASS ASTM B62 ALLOY C83600



SIZE	A	B	C
3/4"	4.38	1.64	2.28
1"	5.28	2.09	2.53

ALL WETTED PARTS ARE LOW LEAD BRASS ALLOY

FILEPATH: PROD-ENG\MUELLER\ASYSUBMITTALS\H15275N

						DRFTR	RWB	8/21/13	<b>Mueller Co.</b>	THIRD ANGLE PROJECTION 
						CHKR				
						ENGR				
						MGR				
									UNLESS OTHERWISE NOTED	REF. No.
									SURFACE PREPARATION: BREAK CORNER(S) ---- .000 SURFACE FINISH -- XX RMS	
									TOLERANCE(S): LINEAR ----- ± .000 ANGULAR ----- ± 0°00'	
									BY	DATE
									STK No:	
									MAT'L:	
									DESCR.	
									GROUND KEY LLB VALVE (CS x FIP)	
										DWG NUMBER H15275N

TITLE TO AND OWNERSHIP OF THIS ENGINEERING DATA REMAINS IN Mueller Co. NO USE IS TO BE MADE OF THIS DATA EXCEPT AS SPECIFICALLY AUTHORIZED BY Mueller Co. ASSENT ON THE PART OF THE RECIPIENT TO THESE CONDITIONS IS PRESUMED

REV ECR DESCRIPTION DATE BY CHKR

PER EST NO: DXXXX EST FIN WT = 0.0000 lbs

DWG NUMBER  
H15275N  
442-MRKTNG