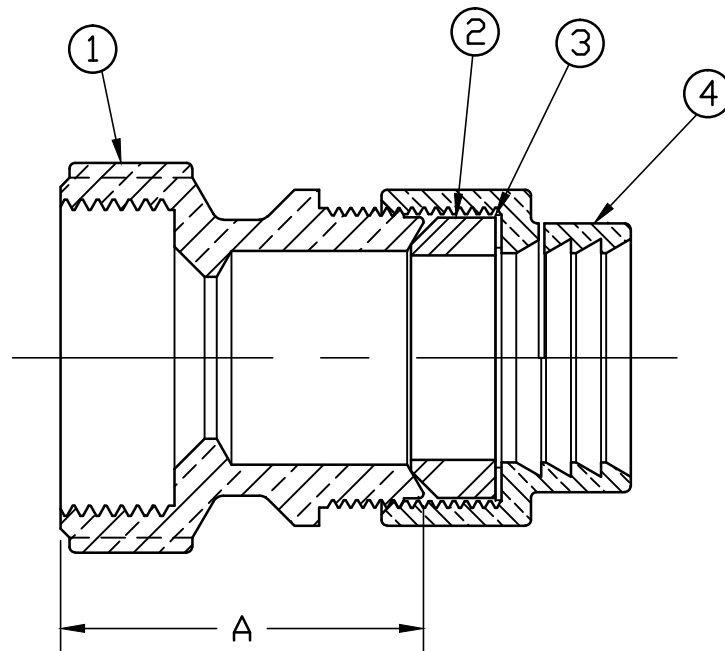


No.	DESCRIPTION	MATERIAL
1	SPUD	CAST LOW LEAD BRASS ALLOY
2	GASKET	NITRILE ASTM D2000
3	WASHER	POLYPROPYLENE
4	COUPLING NUT	CAST BRASS ASTM B62 ALLOY C83600



SIZE	A
5/8" x 3/4" x 3/4"	1.89

**NOTE:** ALL WETTED PARTS ARE LOW LEAD BRASS ALLOY

FILEPATH: PROD-ENG\MUELLER\ASYSUBMITTALS\E14228N

						DRFTR	RWB	8/20/13	<b>Mueller Co.</b>		THIRD ANGLE PROJECTION 		
						CHKR							
						ENGR					UNLESS OTHERWISE NOTED SURFACE PREPARATION: BREAK CORNER(S) ---- .000 SURFACE FINISH -- XX RMS TOLERANCE(S): LINEAR ----- ± .000 ANGULAR ----- ± 0°00'	REF. No.	SCALE NONE
						MGR							
									BY	DATE			
									STK No:				
									MAT'L:				
									DESCR.				
									LLB METER YOKE COUPLING MULTI-PURPOSE x IPS PJ				
											DWG NUMBER E14228N		
									PER EST NO: DXXXX EST FIN WT = 0.0000 lbs				

DWG NUMBER  
E14228N  
442-MRKTNG

TITLE TO AND OWNERSHIP OF THIS ENGINEERING DATA REMAINS IN Mueller Co. NO USE IS TO BE MADE OF THIS DATA EXCEPT AS SPECIFICALLY AUTHORIZED BY Mueller Co. ASSENT ON THE PART OF THE RECIPIENT TO THESE CONDITIONS IS PRESUMED