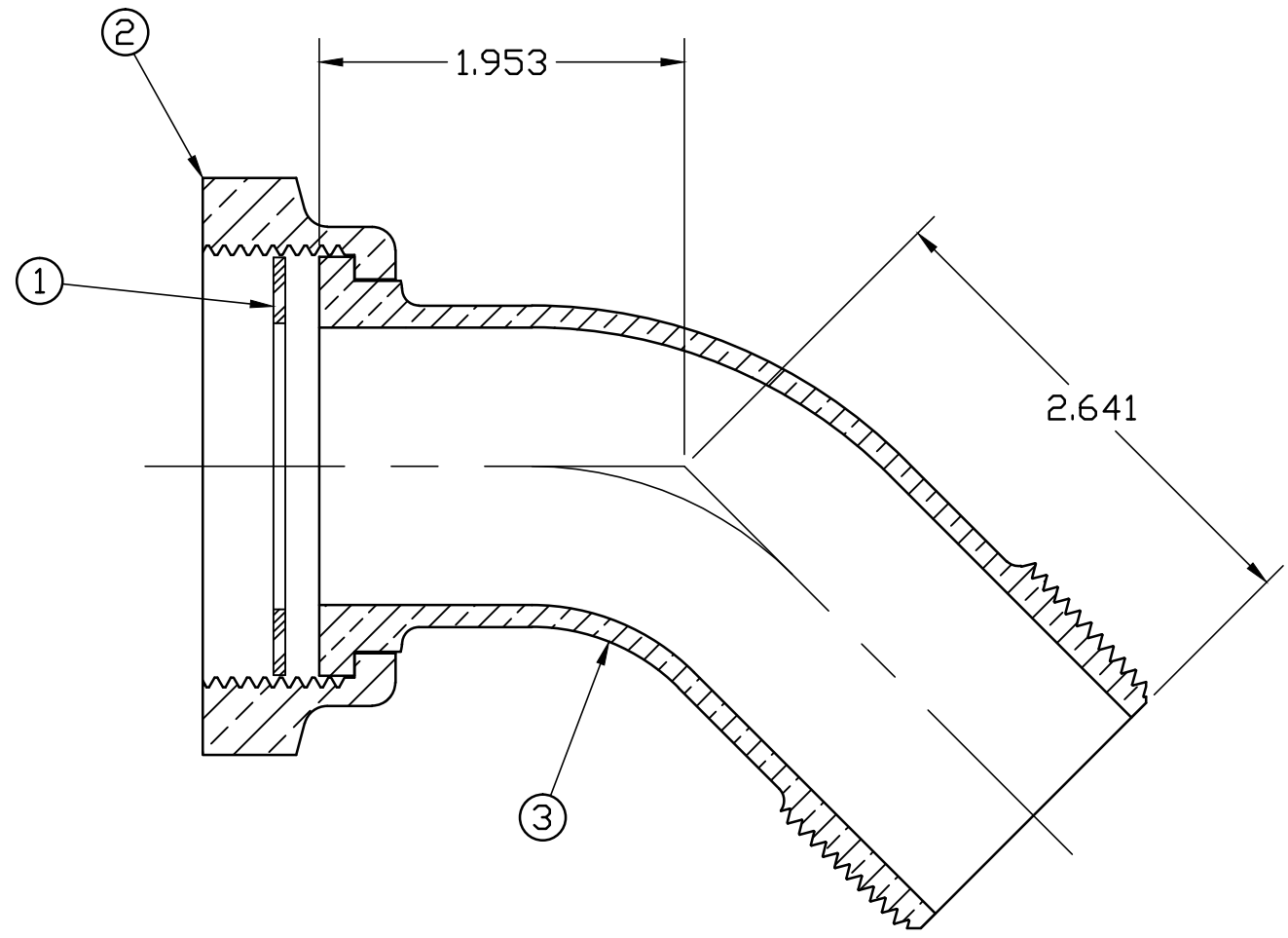


No.	DESCRIPTION	MATERIAL
1	GASKET	RED FIBER
2	COUPLING NUT	CAST BRASS ASTM B62 ALLOY C83600
3	TAILPIECE	CAST LOW LEAD BRASS ALLOY



SIZE	A	B
1-1/2"	1.953	2.641
2"	2.500	2.938

NOTE: ALL WETTED PARTS ARE LOW LEAD BRASS ALLOY

FILEPATH: PROD-ENG\MUELLER\ASYSUBMITTALS\H10095N

						DRFTR	RWB	9/13/13	Mueller Co.	THIRD ANGLE PROJECTION
						CHKR				
						ENGR				
						MGR				
									UNLESS OTHERWISE NOTED	
									SURFACE PREPARATION:	
									BREAK CORNER(S) ----- .000	REF. No.
									SURFACE FINISH -- XX RMS	SCALE
									TOLERANCE(S):	NONE
									LINEAR ----- ± .000	
									ANGULAR ----- ± 0°00'	
									STK No:	
									MAT'L:	
									DESCR.	DWG NUMBER
									EIGHTH BEND LLB CORP STOP COUPLING	H10095N
									(INLET I/S IP x MIP OUTLET)	
									PER EST NO: DXXXX	EST FIN WT = 0.0000 lbs

DWG NUMBER
H10095N
442-MRKTG

TITLE TO AND OWNERSHIP OF THIS ENGINEERING DATA REMAINS IN Mueller Co. NO USE IS TO BE MADE OF THIS DATA EXCEPT AS SPECIFICALLY AUTHORIZED BY Mueller Co. ASSENT ON THE PART OF THE RECIPIENT TO THESE CONDITIONS IS PRESUMED