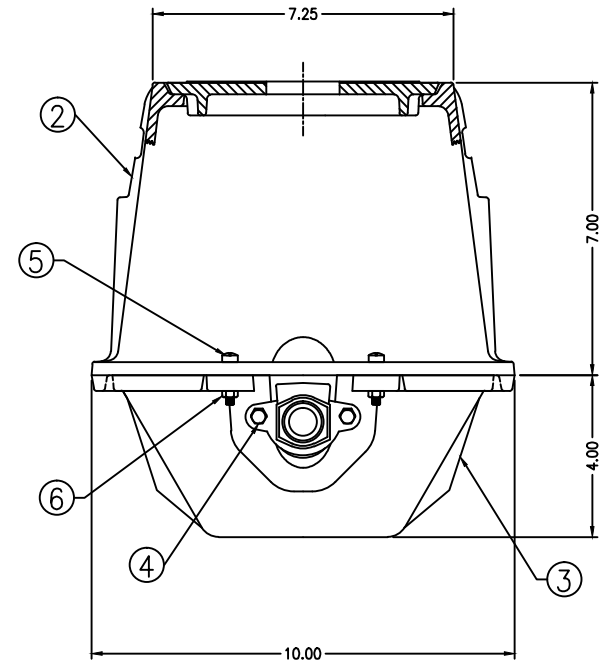
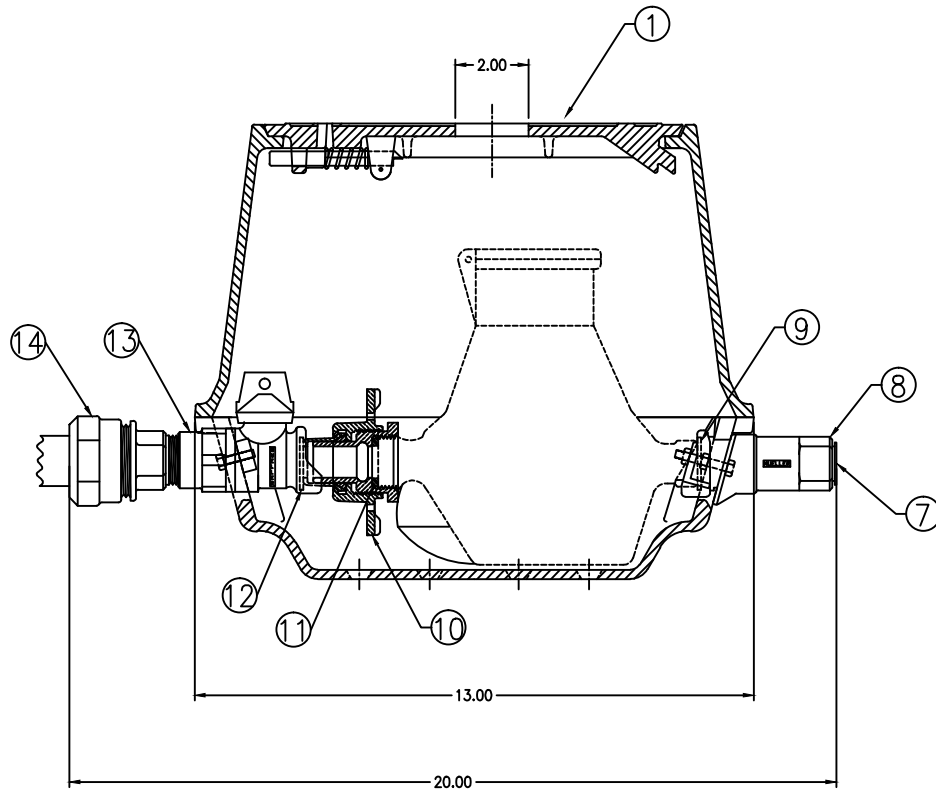


PARTS LIST					
ITEM	DESCRIPTION	REQ'D	MATERIAL	A.S.T.M.	
1	LOCKING LID W/ READ HOLE	1	CAST IRON	A126	CLASS B
2	METER BOX UPPER SECT.	1	CAST IRON	A126	CLASS B
3	METER BOX BASE TRAY	1	CAST IRON	A126	CLASS B
4	HEX HEAD CAP SCREW	4	STAINLESS STEEL		
5	FILLISTER HEAD MACH. SCREW	4	STAINLESS STEEL		
6	RETAINING NUT	4	STAINLESS STEEL		
7	CAPLUG	2	POLYETHYLENE		
8	DOUBLE CHECK VALVE	1	BRONZE	B62	
9	GASKET	1	RUBBER		
10	HANDWHEEL EXPANSION UNIT	1	BRONZE	B62	
11	GASKET	1	RUBBER		
12	GASKET	1	RUBBER		
13	INLET BALL VALVE	1	BRONZE	B62	
14	COMPRESSION COUPLING	1	BRONZE	B62	



APPROVED	DATE	TOLERANCES - MACHINING	THIS SIDE PROTRUDING
ISSUED		UNLESS OTHERWISE NOTED	
DEPTH	13-10-10	MIN. FINISH	FURF. FINISH
DIAM.	13-10-10	MACH. 0.004/0.016	FURF. FINISHES
APPROVED		120	REF. NO.
		FINISHES	NONE
		3 R. 0.010	ANGLES
		1/16"	45°
S.A. NUMBER			SEC. NO.

ECO: 1553715

5/8 X 3/4 X 7" LOW LEAD
CAST IRON METER BOX AND FITTINGS

23482454-5-N

REV.	DESCRIPTION	REF.	APP'D	DATE