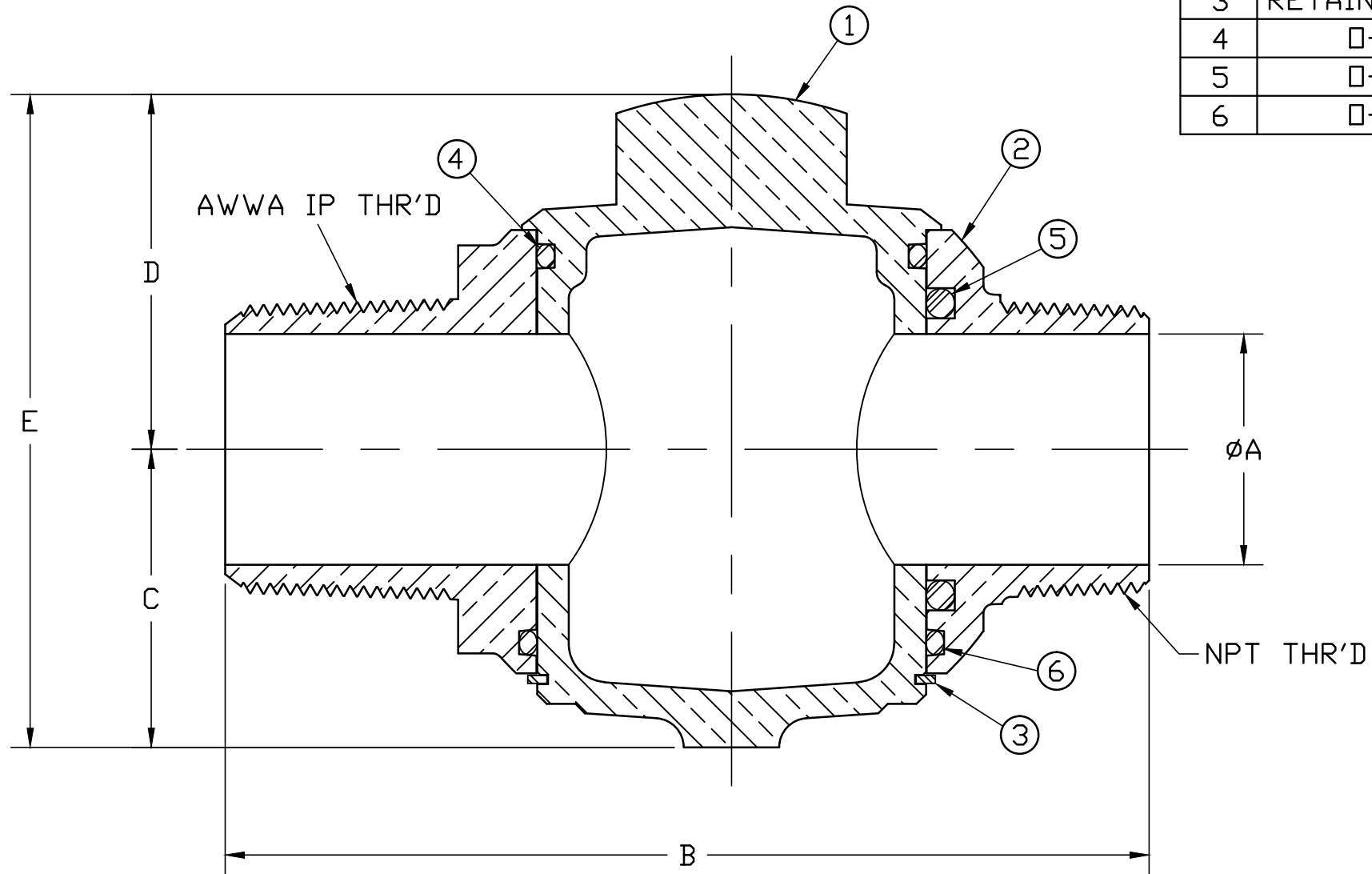


No.	DESCRIPTION	MATERIAL
1	KEY	CAST LOW LEAD BRASS ALLOY
2	BODY	CAST LOW LEAD BRASS ALLOY
3	RETAINING RING	BERYLLIUM COPPER ASTM B197
4	O-RING	RUBBER ASTM D2000
5	O-RING	RUBBER ASTM D2000
6	O-RING	RUBBER ASTM D2000



SIZE	ØA	B	C	D	E
1 1/2"	1.50	6.016	1.940	2.310	4.250
2"	2.00	6.906	2.149	2.453	4.602

NOTE: ALL WETTED PARTS ARE LOW LEAD BRASS ALLOY

FILEPATH: PROD-ENG\MUELLER\ASYSUBMITTALS\H9969N

DRFTR	JGarvin	1/24/12	<b>Mueller Co.</b>		
CHKR					
ENGR					
MGR					
			UNLESS OTHERWISE NOTED	THIRD ANGLE PROJECTION	
			SURFACE PREPARATION:		
			BREAK CORNER(S) ---- .000		
			SURFACE FINISH -- XX RMS	REF. No.	
			TOLERANCE(S):	SCALE	
			LINEAR ----- ± .000	NONE	
			ANGULAR ----- ± 0°00'		
			STK No:		
			MAT'L:		
			DESCR.		
			ORISEAL CORPORATION VALVE	DWG NUMBER	
			LOW LEAD BRASS(AWWA IP x MIP)	H9969N	
REV	ECR	DESCRIPTION	DATE	BY	CHKR
PER EST NO: DXXXX EST FIN WT = 0.0000 lbs					

DWG NUMBER  
H9969N  
442-MRKTNG

TITLE TO AND OWNERSHIP OF THIS ENGINEERING DATA REMAINS IN Mueller Co. NO USE IS TO BE MADE OF THIS DATA EXCEPT AS SPECIFICALLY AUTHORIZED BY Mueller Co. ASSENT ON THE PART OF THE RECIPIENT TO THESE CONDITIONS IS PRESUMED