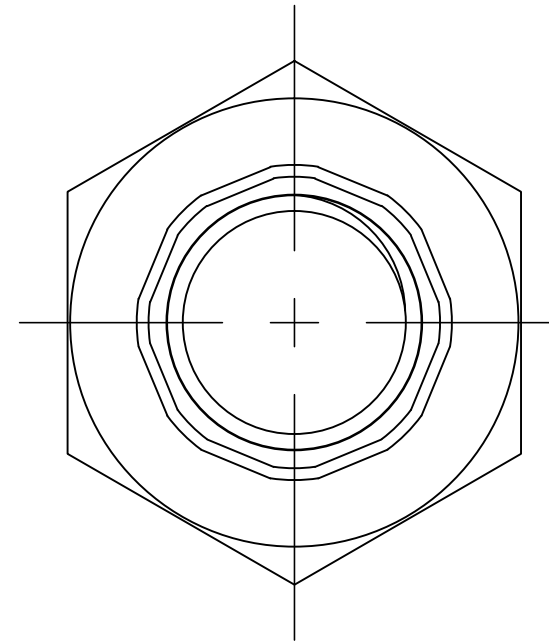
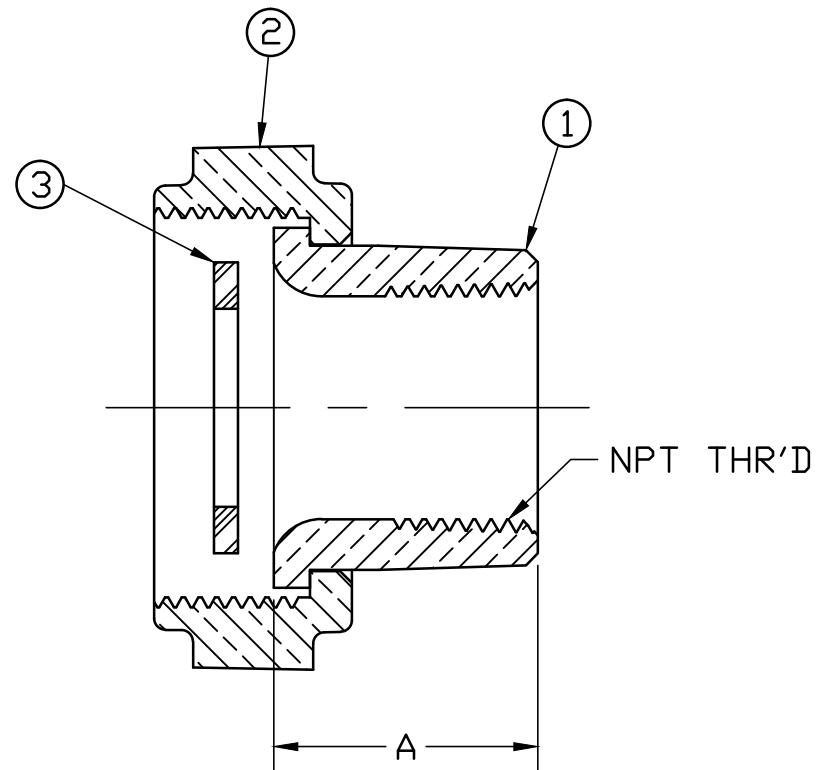


No.	DESCRIPTION	MATERIAL
1	TAILPIECE	CAST LOW LEAD BRASS ALLOY
2	COUP. NUT	CAST BRASS ASTM B62 ALLOY C83600
3	GASKET	RUBBER, MUELLER RUBBER CODE R9



SIZE	A	NPT
5/8"x3/4"x3/4"	1.00	3/4"
1"	1.38	1"

NOTE: ALL WETTED PARTS ARE LOW LEAD BRASS ALLOY

FILEPATH: PROD-ENG\MUELLER\ASYSUBMITTALS\H14222N

						DRFTR	RWB	2/12/10	<b>Mueller Co.</b>	THIRD ANGLE PROJECTION 
						CHKR				
						ENGR				
						MGR				
									UNLESS OTHERWISE NOTED	REF. No.    SCALE FULL
									SURFACE PREPARATION: BREAK CORNER(S) ---- .000 SURFACE FINISH -- XX RMS TOLERANCE(S): LINEAR ----- ± .000 ANGULAR ----- ± 0°00'	
							BY	DATE		
									STK No:	
									MAT'L:	
									DESCR.	METER YOKE COUPLING - LLB (FIP x MULTI PURPOSE)
										DWG NUMBER H14222N
									PER EST NO: DXXXX	EST FIN WT = 0.00000 lbs

DWG NUMBER  
H14222N  
442-MRKTG

TITLE TO AND OWNERSHIP OF THIS ENGINEERING DATA REMAINS IN Mueller Co. NO USE IS TO BE MADE OF THIS DATA EXCEPT AS SPECIFICALLY AUTHORIZED BY Mueller Co. ASSENT ON THE PART OF THE RECIPIENT TO THESE CONDITIONS IS PRESUMED