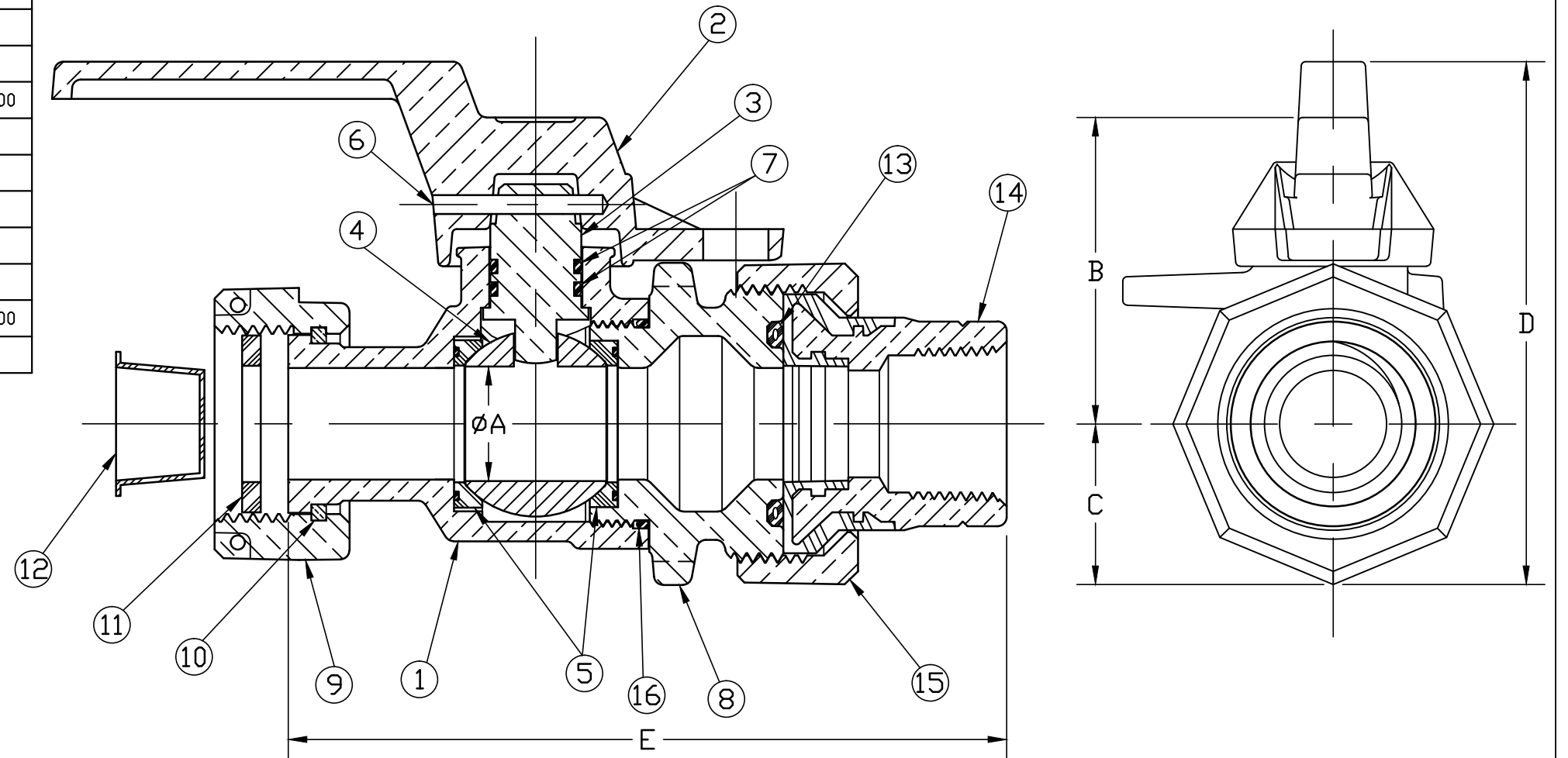


No.	DESCRIPTION	MATERIAL
1	BODY	CAST LOW LEAD BRASS ALLOY
2	CAP W/ HANDLE	CAST BRASS ASTM B62 ALLOY C83600
3	STEM	LOW LEAD BRASS ALLOY
4	BALL	LOW LEAD BRASS ALLOY
5	GASKET	NITRILE D-2000
6	SOLID PIN	AISI 303 STAINLESS STEEL
7	O-RING	EPDM D-2000
8	END PIECE	CAST LOW LEAD BRASS ALLOY
9	PLAIN METER NUT	CAST BRASS ASTM B62 ALLOY C83600
10	SNAP RING	COPPER ALLOY CDA521
11	RUBBER GASKET	NITRILE D-2000
12	CAP PLUG	PLASTIC RED POLYETHYLENE
13	O-RING	EPDM D-2000
14	INS. TAILPC ASS'Y	CAST LOW LEAD BRASS ALLOY
15	COUP. NUT	CAST BRASS ASTM B62 ALLOY C83600
16	O-RING	EPDM D-2000

SIZE	ØA	B	C	D	E
1"	1.000	2.062	1.353	3.513	6.139



ALL WETTED PART ARE LOW LEAD BRASS ALLOY

FILEPATH: PROD-ENG\MUELLER\APPROVED\N34351231N

DRFTR	RWB	11/3/14			
CHKR					
ENGR					
MGR					
UNLESS OTHERWISE NOTED			THIRD ANGLE PROJECTION		
SURFACE PREPARATION:					
BREAK CORNER(S) ----- .000					
SURFACE FINISH -- 000 RMS			REF. No.	SCALE	
TOLERANCE(S):			FULL		
LINEAR ----- ± .000					
ANGULAR ----- ± 0°00					
STK No:					
MAT'L:					
DESCR.			DWG NUMBER		
1" LLB INLINE BALL VALVE ASS'Y w/ HANDLE			N34351231N		
MTR x INSULATED UNION SERVICE FITTING					
REV	ECR	DESCRIPTION	DATE	BY	CHKR
PER EST NO: DXXXX			EST FIN WT = 0.0000 lbs		

TITLE TO AND OWNERSHIP OF THIS ENGINEERING DATA REMAINS IN Mueller Co. NO USE IS TO BE MADE OF THIS DATA EXCEPT AS SPECIFICALLY AUTHORIZED BY Mueller Co. ASSENT ON THE PART OF THE RECIPIENT TO THESE CONDITIONS IS PRESUMED

WAS EXP NO: NONE

DWG NUMBER
N34351231N