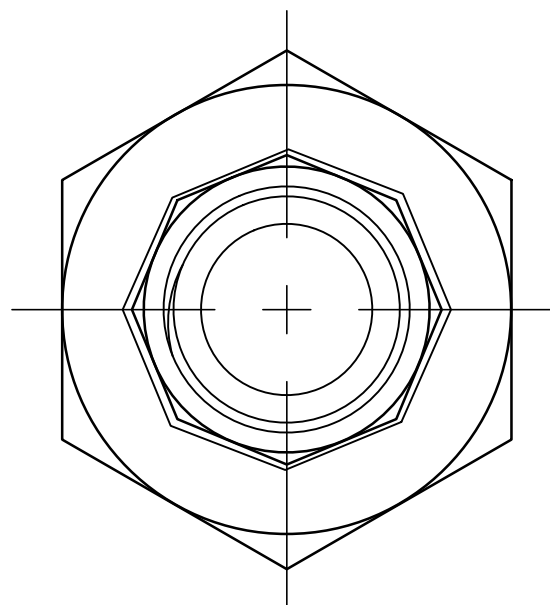
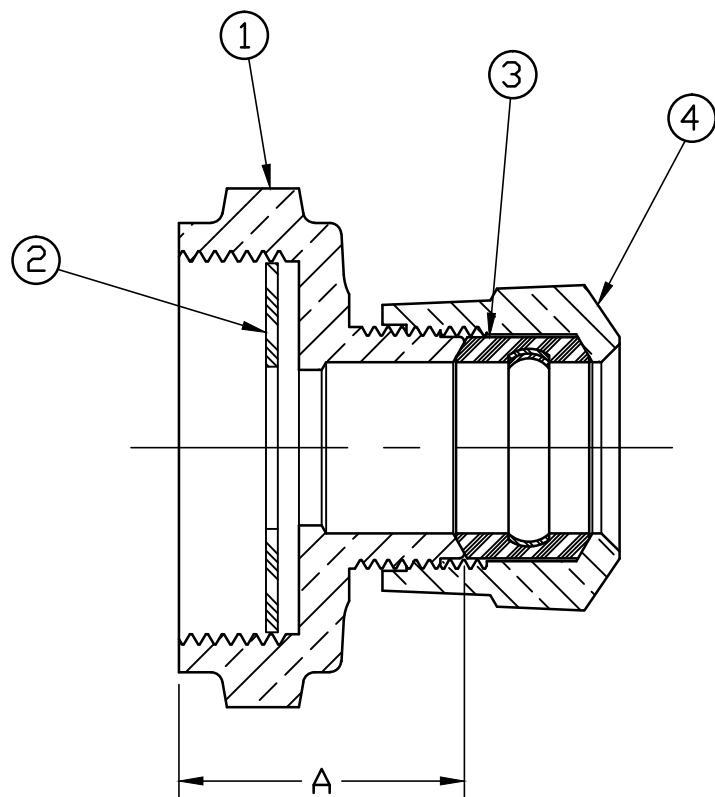


No.	DESCRIPTION	MATERIAL
1	SPUD	CAST LOW LEAD BRASS ALLOY
2	GASKET	FIBER ASTM D710
3	CTS GASKET SUB	ASTM D2000(SBR)&410 STAINLESS STL
4	CONNX NUT	CAST BRASS ASTM B62 ALLOY C83600



SIZE	A
3/4"	1.49
1"	1.76

NOTE: ALL WETTED PARTS ARE LOW LEAD BRASS ALLOY

FILEPATH: PROD-ENG\MUELLER\ASYSUBMITTALS\H15512N

						DRFTR	RWB	11/7/13	Mueller Co.	THIRD ANGLE PROJECTION
						CHKR				
						ENGR				
						MGR				
									UNLESS OTHERWISE NOTED	REF. No. SCALE FULL
									SURFACE PREPARATION: BREAK CORNER(S) ---- .000 SURFACE FINISH -- XX RMS TOLERANCE(S): LINEAR ----- ± .000 ANGULAR ----- ± 0°00'	
									BY	DATE
									STK No:	
									MAT'L:	
									DESCR.	
									CORP STOP COUPLING	DWG NUMBER
									LLB (XXS LEAD FLANGE x CTS 110)	H15512N

DWG NUMBER
H15512N
442-MRKTG

TITLE TO AND OWNERSHIP OF THIS ENGINEERING DATA REMAINS IN Mueller Co. NO USE IS TO BE MADE OF THIS DATA EXCEPT AS SPECIFICALLY AUTHORIZED BY Mueller Co. ASSENT ON THE PART OF THE RECIPIENT TO THESE CONDITIONS IS PRESUMED

REV	ECR	DESCRIPTION	DATE	BY	CHKR

PER EST NO: DXXXX EST FIN WT = 0.00000 lbs