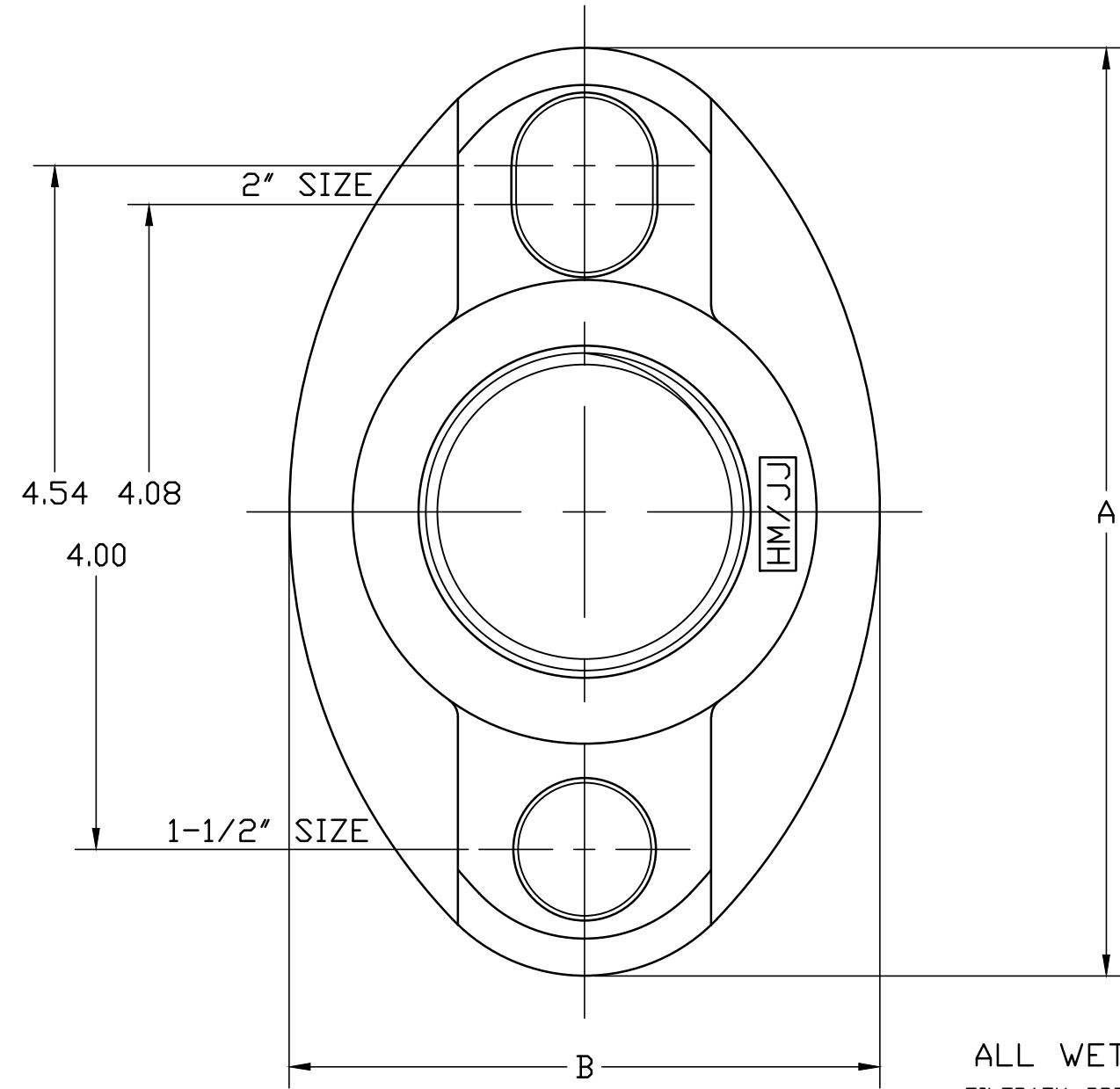
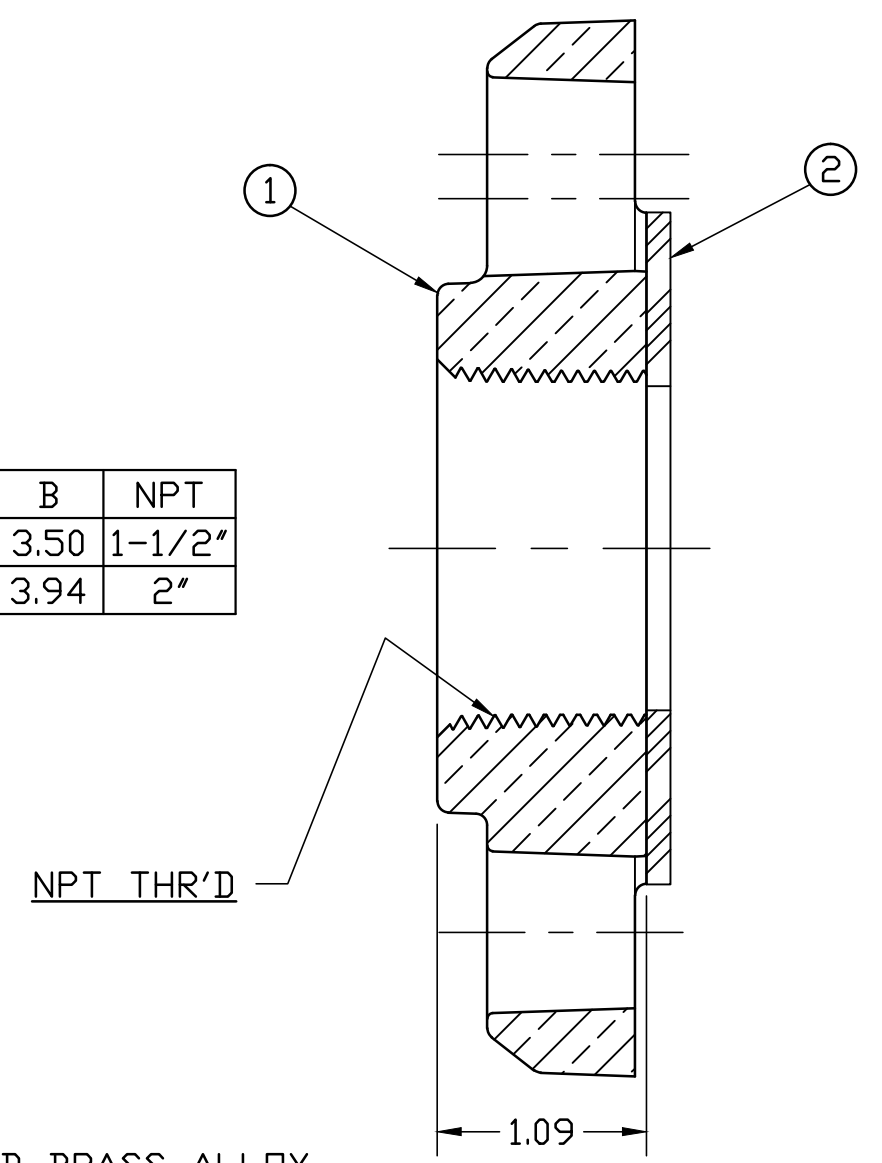


No.	DESCRIPTION	MATERIAL
1	FLANGE	CAST LOW LEAD BRASS ALLOY
2	GASKET	SBR BUNA-S



SIZE	A	B	NPT
1 1/2"	5.50	3.50	1-1/2"
2"	6.00	3.94	2"



ALL WETTED PARTS ARE LOW LEAD BRASS ALLOY

FILEPATH: PROD-ENG\MUELLER\ASYSUBMITTALS\H1012902N

DWG NUMBER
H1012902N
442-MRKTG

TITLE TO AND OWNERSHIP OF THIS ENGINEERING DATA REMAINS IN Mueller Co. NO USE IS TO BE MADE OF THIS DATA EXCEPT AS SPECIFICALLY AUTHORIZED BY Mueller Co. ASSENT ON THE PART OF THE RECIPIENT TO THESE CONDITIONS IS PRESUMED.

DRFTR	RWB	3/7/16	Mueller Co.		
CHKR					
ENGR					
MGR					
UNLESS OTHERWISE NOTED			THIRD ANGLE PROJECTION		
SURFACE PREPARATION:			REF. No. SCALE		
BREAK CORNER(S) ---- .000					
SURFACE FINISH -- XX RMS			FULL		
TOLERANCE(S):					
LINEAR ----- ± .000					
ANGULAR ----- ± 0°00'					
BY DATE					
STK No:					
MAT'L:					
DESCR.			DWG NUMBER		
1-1/2" & 2" LLB WATER METER FLANGE			H1012902N		
W/ DROP-IN GASKET					
REV	ECR	DESCRIPTION	DATE	BY	CHKR
PER EST NO: DXXXX EST FIN WT = 0.0000 lbs					