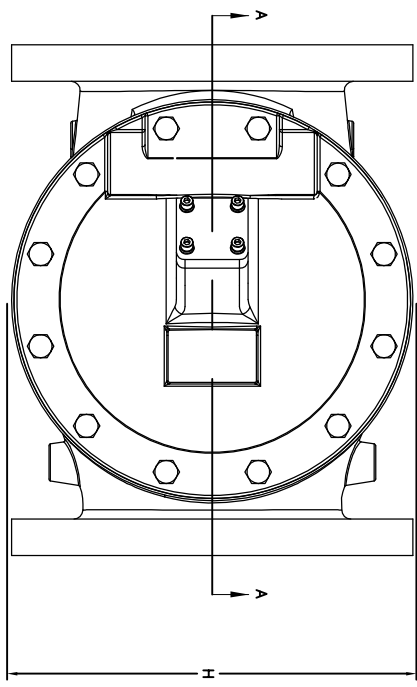
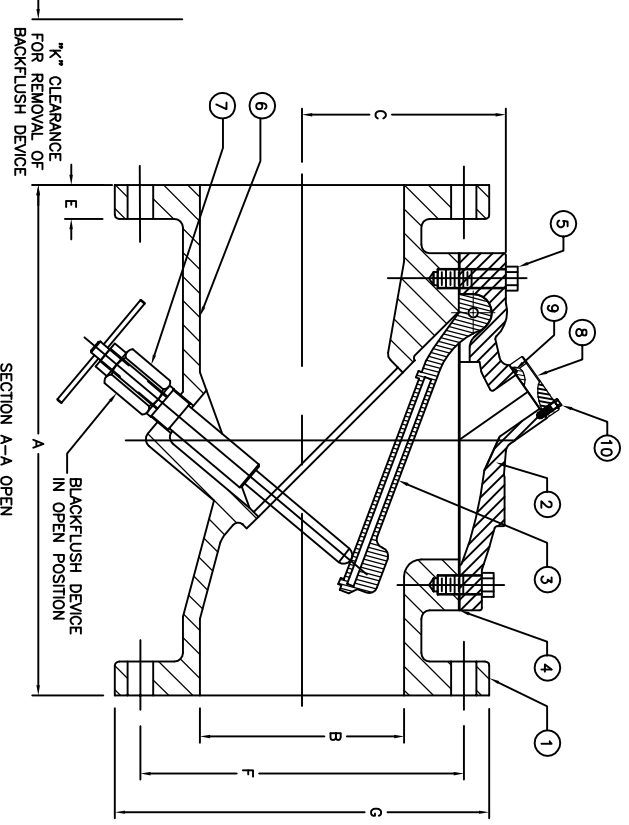
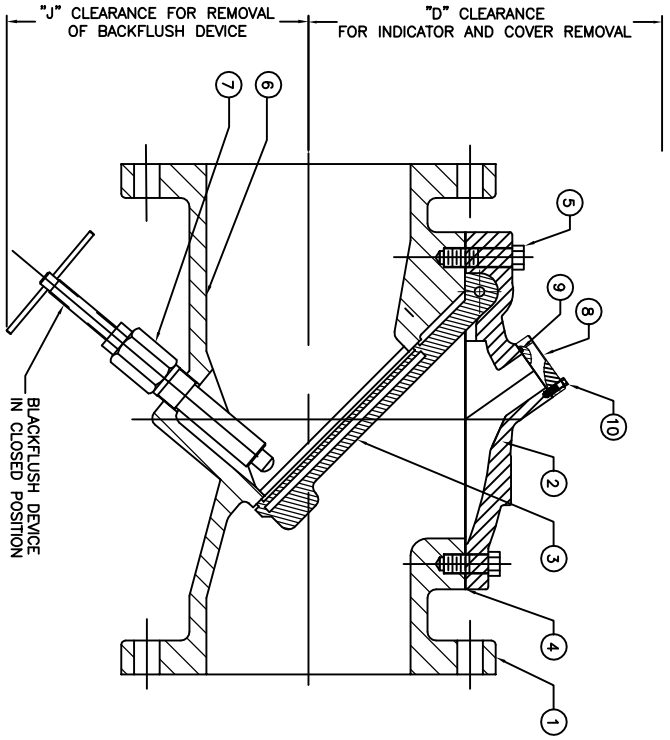


VALVE SIZE	A	B	C	D	E	F	G	H	J	K	FLANGE BOLTING		PLUG SIZES
											BOSS SIZE	BOLTS	
3	9.5	3.0	3.88	8.28	3/4	6.0	7.5	7.4	9.0	1.5	5/8	4	3/4" NPT
4	11.5	4.0	4.63	9.25	15/16	7.5	9.0	9.0	10.0	3.5	5/8	8	1" NPT
6	15.0	6.0	5.88	10.28	1.0	9.5	11.0	10.9	12.0	7.0	3/4	8	1-1/4" NPT
8	19.5	8.0	7.63	12.28	1-1/8	11.75	13.5	14.2	13.0	8.5	3/4	8	
10	24.5	10.0	9.88	14.28	1-3/16	14.25	16.0	19.6	17.0	9.0	7/8	12	
12	27.5	12.0	11.38	15.78	1-1/4	17.0	19.0	21.3	18.0	11.0	7/8	12	
14	31.0	14.0	13.38	17.78	1-3/8	18.75	21.0	25.8	19.0	12.5	1.0	12	2-1/2" NPT
16	32.0	16.0	15.38	19.78	1-7/16	21.25	23.5	28.2	20.0	14.5	1.0	16	



ITEM	QTY	DESCRIPTION	MATERIAL
10	4	BOSS COVER BOLTS	STEEL/ZINC
9	1	O-RING	RUBBER (BUNA)
8	1	BOSS COVER	DUCTILE IRON
7	1	BACKFLUSH DEVICE	-
6	1	INTERIOR LINING	EPOXY
5	AR	CAP BOLTS	STEEL/ZINC
4	1	GASKET	RUBBER (BUNA N)
3	1	DISC	STEEL/BUNA-N
2	1	BONNET	DUCTILE IRON
1	1	BODY	DUCTILE IRON

		<b>3"-16" FIG. 851A</b> FLEX CHECK WITH INDICATOR BOSS AND BACKFLUSH DEVICE
DATE: 12/06/10 SCALE: NONE	BY: RR CHK'D BY: RR	DIMENSION: INCHES
ISSUE NUM. 1 DATE: 03/11 REVISIONS: ADDED SEE DRAWING NOTE	BY: RR	DWG. NO. MSS50635
2 DATE: 07/11 DIM. CHANGE IN COLUMN "D" [COR# 532]	BY: AA	
3 DATE: 11/11 ADDED DIMENSION "K" & TOP VIEW [COR# 581]	BY: JC	
4 DATE: 08/13 REMOVED CLASS 150 FROM TITLE ADDED 250 PSI RATING TO NOTES	BY: AA	

NOTES:  
 1- FLANGES ARE PER ANSI B16.1 CLASS 125/150 FLAT FACED.  
 2- SEE DRAWING MSS0647 FOR 2", 2 1/2", 18" TO 24" DIMENSION.  
 3- RATED PRESSURE IS 250 PSI.