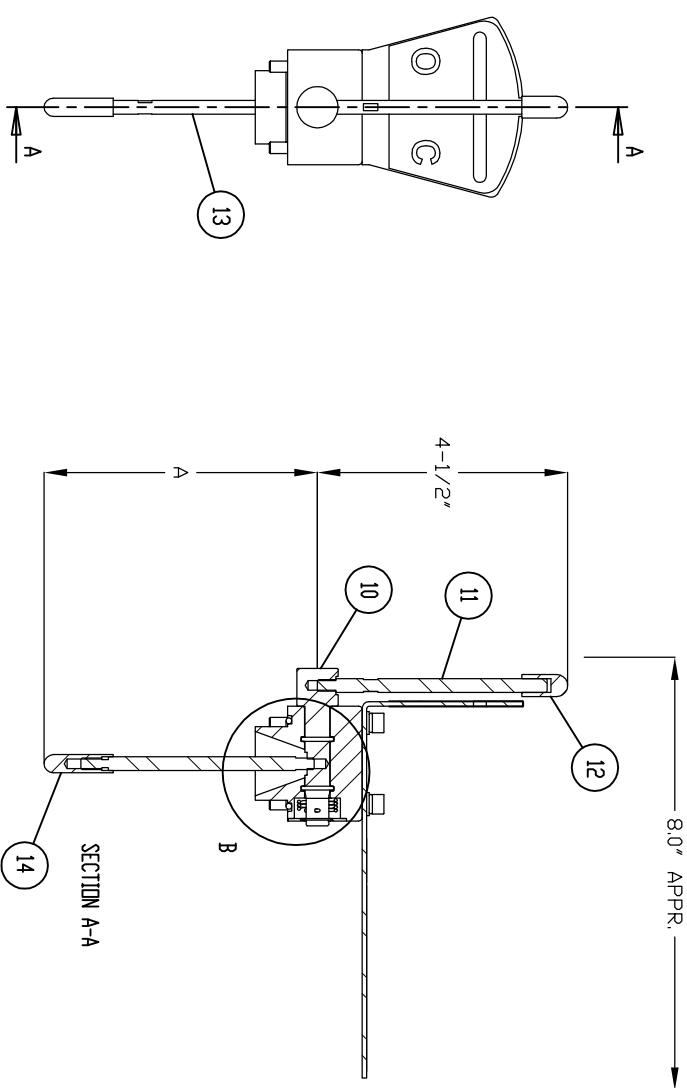
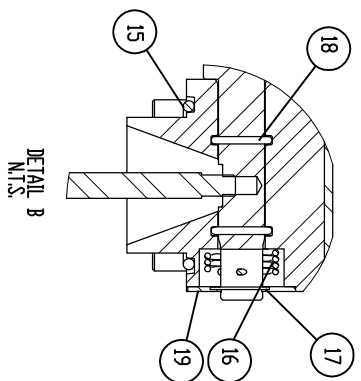
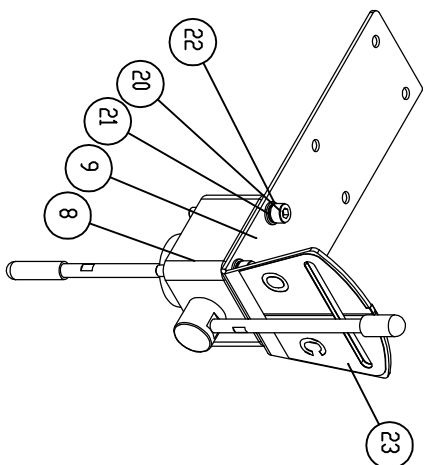


REFERENCE ONLY

DISC ROD LENGTH	A
VALVE SIZE	A
3"	4-1/2"
4", 6", 8"	5-3/8"
10", 12"	8-3/8"
14", 16"	9-1/2"



ITEM	QUANTITY	DESCRIPTION	MATERIAL
23	1	OPEN/CLOSE LABEL	ADHESIVE PLASTIC
22	4	M5 FLAT WASHER	316 STAINLESS STEEL
21	4	M5 LOCK WASHER	316 STAINLESS STEEL
20	4	M5 SHCS	316 STAINLESS STEEL
19	1	LOCKING PLATE	304 STAINLESS STEEL
18	2	INDICATOR SHAFT O-RING	BUNA N
17	1	SNAP RING	STEEL/ZINC
16	1	TORSION SPRING	STAINLESS STEEL
15	1	HOUSING O-RING	BUNA N
14	1	DISC ROD END	304 STAINLESS STEEL
13	1	DISC ROD	304 STAINLESS STEEL
12	1	INDICATOR ROD CAP	NYLON
11	1	INDICATOR ROD	304 STAINLESS STEEL
10	1	INDICATOR SHAFT	304 STAINLESS STEEL
9	1	BRACKET	304 STAINLESS STEEL
8	1	INDICATOR HOUSING	DELRIN ASTM D792

MATERIAL LIST



MECHANICAL INDICATOR  
FOR 851A FLEX CHECK VALVE

ISSUE	CHANGE NO. OR DESCRIPTION	DATE	BY
1	BRACKET CHANGED (EG# 541)	08/22/11	AC
2	ENVELOPE DIMENSIONS ADDED	07/29/14	AC
4			

REVISIONS

TYPE: 851A-MASSY  
DRAWING NO.: MS500639