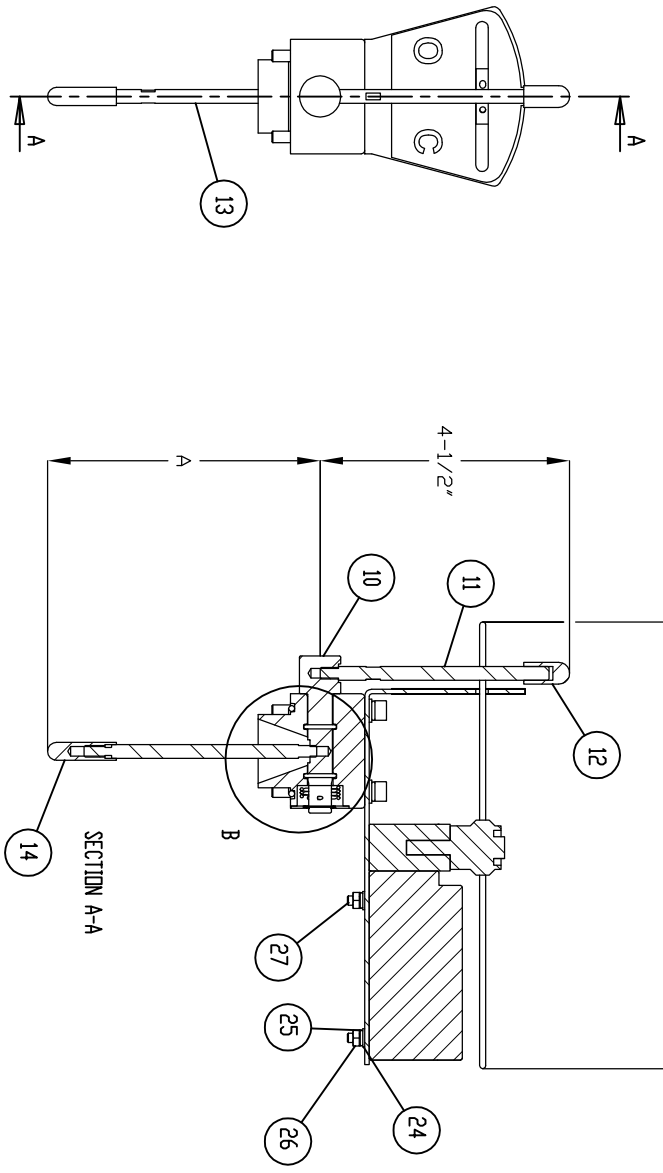
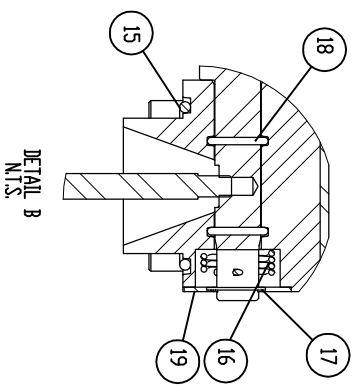
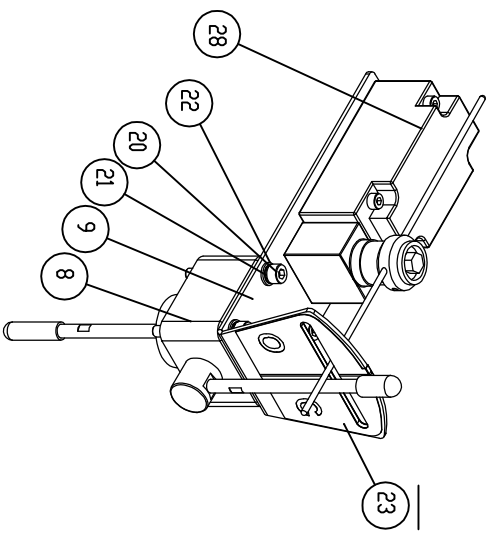


DISC ROD LENGTH	VALVE SIZE
A	3"
4-1/2"	4", 6", 8"
5-3/8"	10", 12"
8-3/8"	14", 16"
9-1/2"	

REFERENCE ONLY



ITEM	QUANTITY	DESCRIPTION	MATERIAL
28	1	LIMIT SWITCH	-
27	4	M4 SHCS	316 STAINLESS STEEL
26	4	M4 HEX NUT	316 STAINLESS STEEL
25	4	M4 LOCK WASHER	316 STAINLESS STEEL
24	4	M4 FLAT WASHER	316 STAINLESS STEEL
23	1	OPEN/CLOSE LABEL	ADHESIVE PLASTIC
22	4	M5 FLAT WASHER	316 STAINLESS STEEL
21	4	M5 LOCK WASHER	316 STAINLESS STEEL
20	4	M5 SHCS	316 STAINLESS STEEL
19	1	LOCKING PLATE	304 STAINLESS STEEL
18	2	INDICATOR SHAFT O-RING	BUNA N
17	1	SNAP RING	STEEL/ZINC
16	1	TORSION SPRING	STAINLESS STEEL
15	1	HOUSING O-RING	BUNA N
14	1	DISC ROD END	304 STAINLESS STEEL
13	1	DISC ROD	304 STAINLESS STEEL
12	1	INDICATOR ROD CAP	NYLON
11	1	INDICATOR ROD	304 STAINLESS STEEL
10	1	INDICATOR SHAFT	304 STAINLESS STEEL
9	1	BRACKET	304 STAINLESS STEEL
8	1	INDICATOR HOUSING	DELRIN ASTM D792

MATERIAL LIST			
DRAWN	J. COLPAN	CHECKED	A. JACKSON
APPROVED	B. JACKSON	DATE	12/09/2010
REF. DWG	-		



REVISIONS			
ISSUE	CHANGE NO. OR DESCRIPTION	DATE	BY
1	BRACKET CHANGED [ECP 547]	06/22/11	JC
2	ENVELOPE DIMENSIONS ADDED	07/29/14	JC
3	-	-	-
4	-	-	-

TITLE: MECHANICAL INDICATOR WITH LIMIT SWITCH FOR 851A FLEX CHECK VALVE

DRAWING NO.: MSS0641