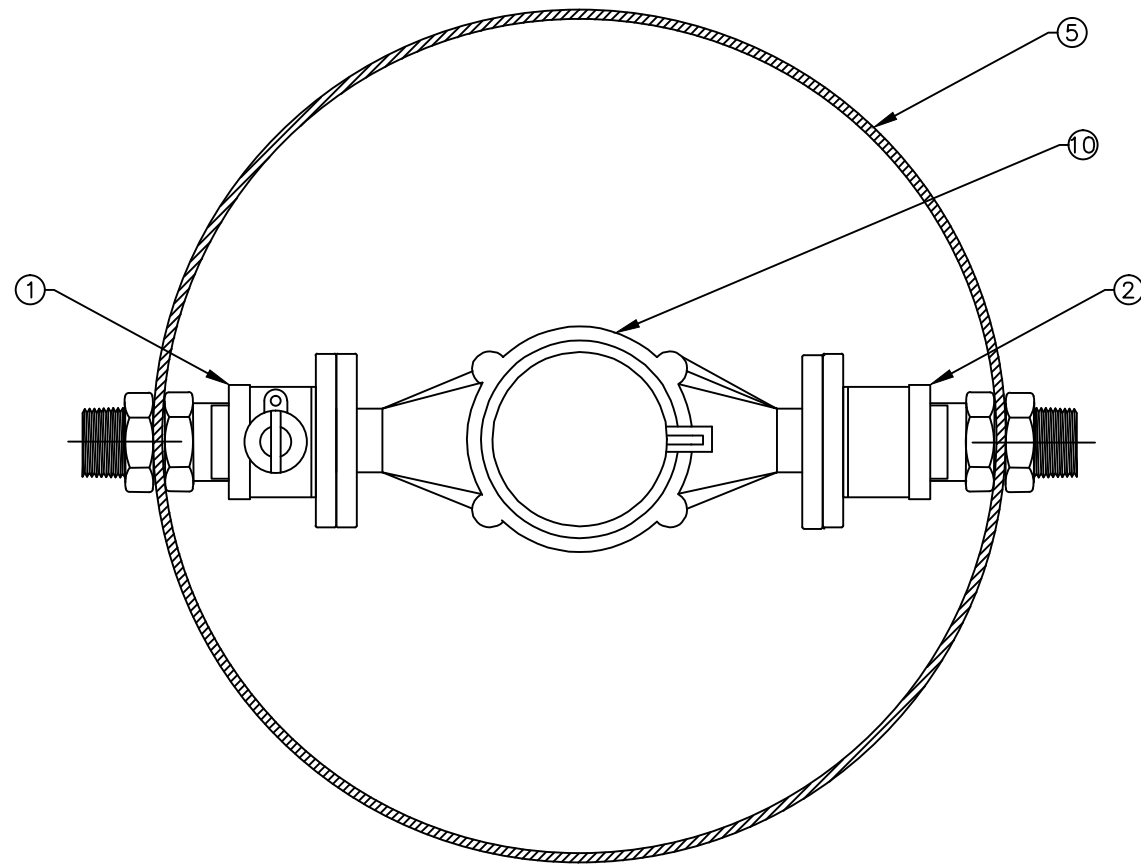
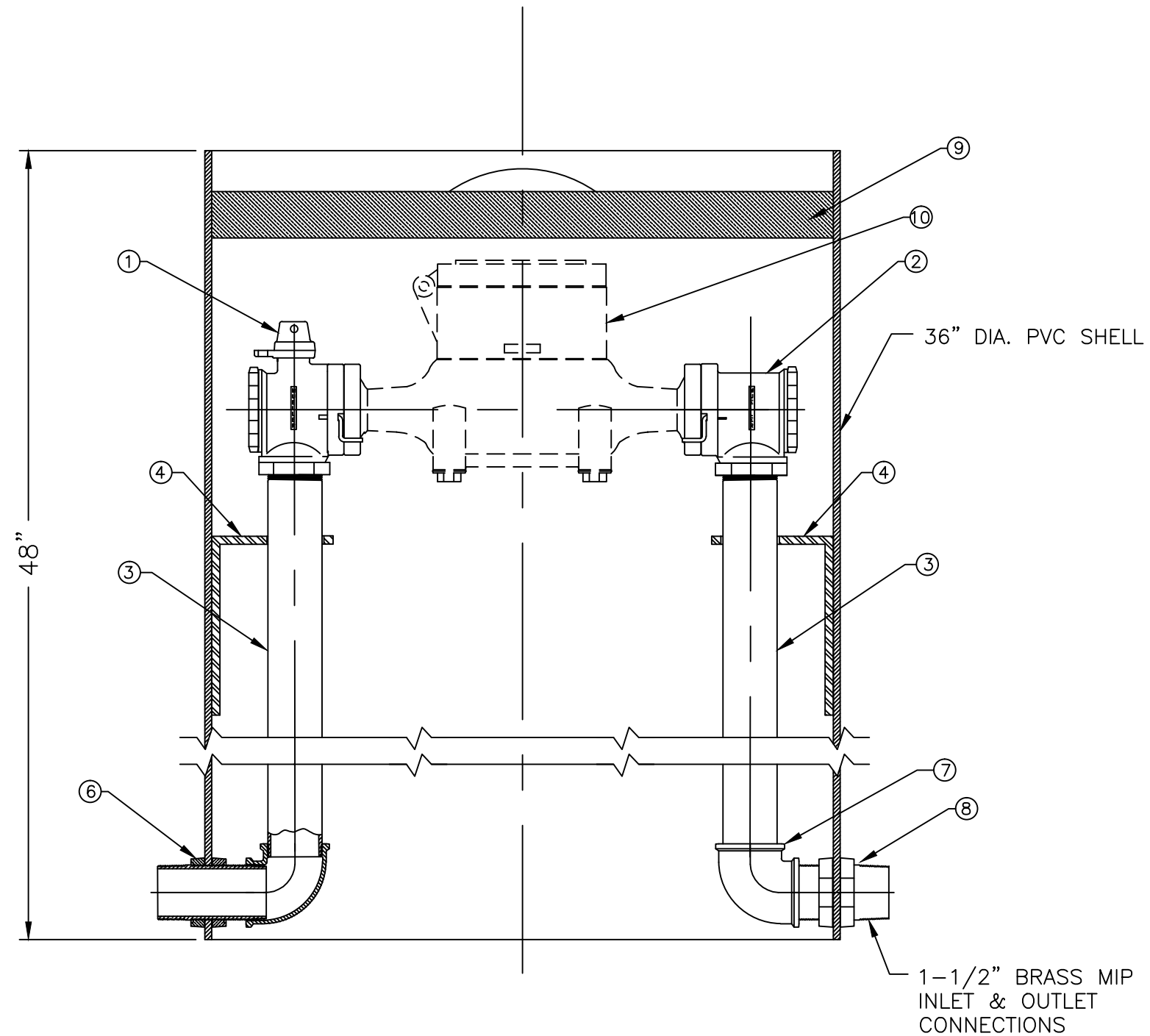


ITEM	DESCRIPTION	PART NO.	REQ'D
1	2" LOCKWING FULL PORT BALL VALVE	B2428601N	1
2	2" ANGLE CHECK VALVE	H14244N	1
3	RISER SUB ASSEMBLY		2
4	STABILIZING BRACKET		2
5	36" SHELL SUB-ASSEMBLY		1
6	1-1/2" HEX NUTS		4
7	2" ELBOW		2
8	2" NIPPLE		2
9	36" X 4" INSULATING PAD (OPTIONAL)	547743	---
10	METER (NOT INCLUDED)		---

*NOTE: METER NOT INCLUDED



TOP VIEW



550VS3648FBBN

REV.	DESCRIPTION	REF.	DRFT'R	CHK'R	APP	DATE

DRFT'R	AGW	6/3/16	THIRD ANGLE PROJECTION	REF. NO.	SCALE
CHK'R					NONE
E.O. NUMBER				STOCK No.	
Mueller Co.			DESCR.	REV.	NUMBER
			2" VAULT SINGLE METER PIT 36" DIA X 48" DEPTH LOW LEAD BRASS		550VS3648FBBN
				SHEET 1 OF 1	