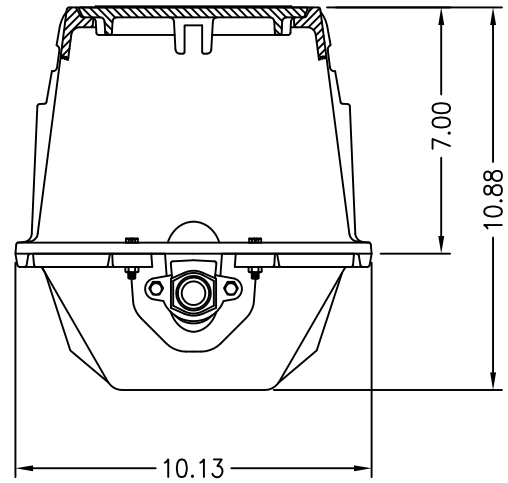
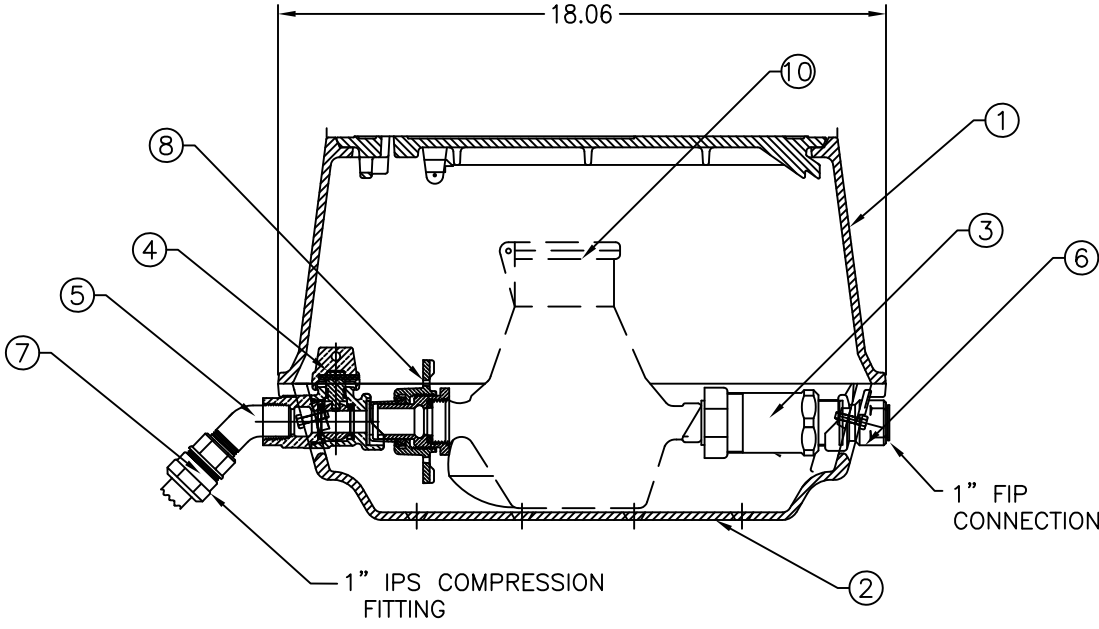


ITEM	DESCRIPTION	PART NO.	REQ'D
1	CAST IRON METER BOX UPPER SECTION		1
2	CAST IRON METER BOX BASE TRAY		1
3	3/4" INLINE CHECK	311930E	1
4	3/4" REDUCED PORT BALL VALVE	683021N	1
5	3/4" MIP X 3/4" MIP 1/8 BEND FITTING		1
6	3/4" METER COUPLING X 3/4" FIP CONNECTION		1
7	1" IPS 110 COMPRESSION FITTING	H15454N	1
8	EXPANSION HANDWHEEL	H14234N	1
9	CAST IRON METER LID (NON-LOCKING)		1
10	METER (NOT INCLUDED)		



234H1462--2-13N

OPTION CODE: 15  
 • 1/8 MIP X MIP FITTING ATTACHED TO INLET & A 3/4" X 1" IPS COMPRESSION ATTACHED

DRFT'R	BBF	6/29/16	THIRD ANGLE PROJECTION	REF. NO.	SCALE
CHK'R					NONE
E.O. NUMBER			DESCR.	STOCK No.	
<b>Mueller Co.</b>			5/8" x 3/4" CAST IRON STRETCH METER BOX	REV.	NUMBER
				234H1462--2-13N	1 OF 1

REV.	DESCRIPTION	REF.	DRFT'R	CHK'R	APP	DATE