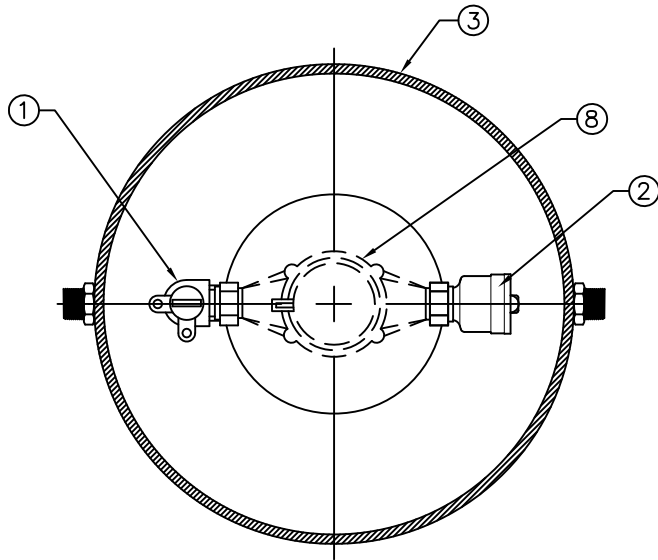
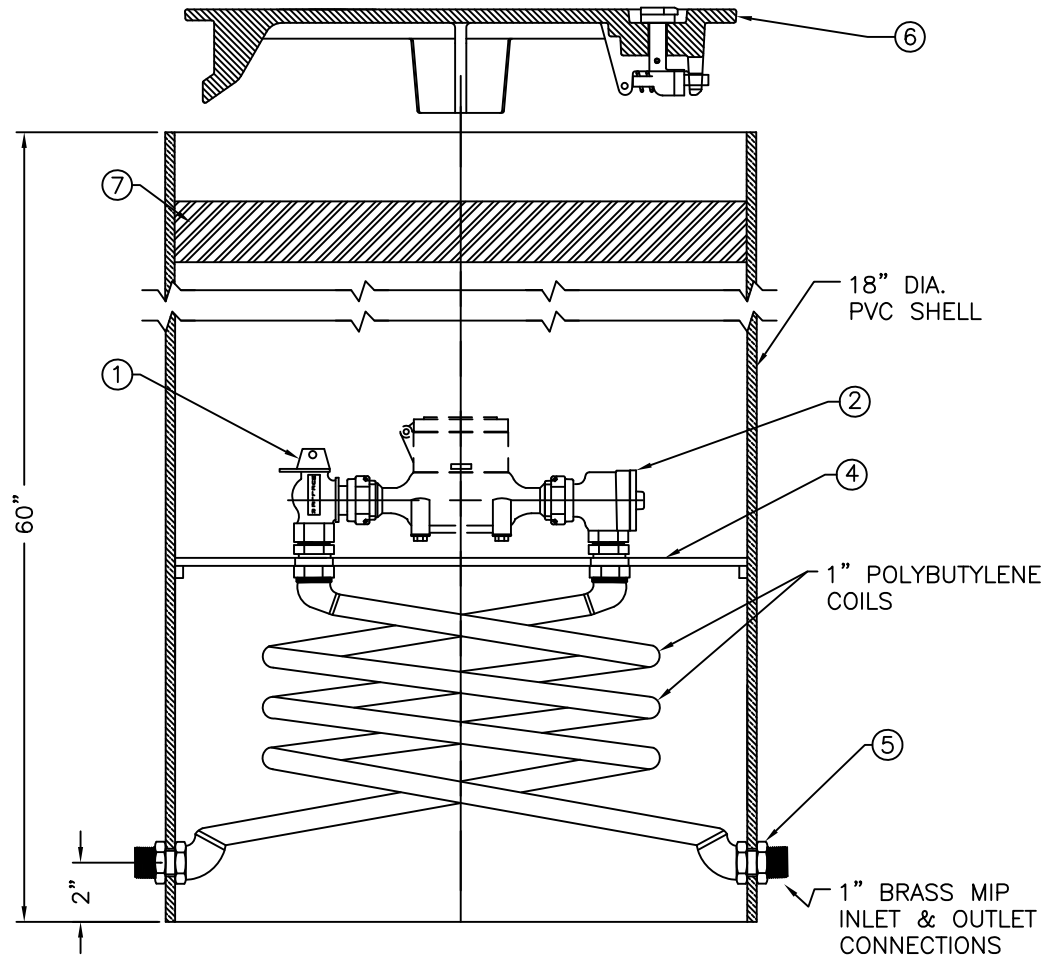


ITEM	DESCRIPTION	PART NO.	REQ'D
1	1" FULL PORT BALL VALVE	B24265N	1
2	1" ASSE APPROVED DUAL CHECK VALVE	H14244AN	1
3	18" SHELL SUB-ASSEMBLY		1
4	STABILIZING PLATFORM		1
5	1" HEX NUT		8
6	CAST IRON SIDE LOCKING LID (OPTIONAL)	282927	----
7	18" X 4" INSULATING PAD (OPTIONAL)	790153	----
8	METER (NOT INCLUDED)		----

*NOTE: METER NOT INCLUDED



TOP VIEW



FRONT VIEW

330CS1860FSBSN

REV.	DESCRIPTION	REF.	DRFTR	CHK'R	APP	DATE

DRFTR	BBF	9/30/16	THIRD ANGLE PROJECTION	REF. NO.	SCALE
CHK'R					NONE
E.O. NUMBER				STOCK No.	
DESCR.			1" COIL TANDEM METER PIT 18" DIA X 60" DEPTH LOW LEAD BRASS		
Mueller Co.			REV.	NUMBER	
				330CS1860FSBSN	
			SHEET 1 OF 1		