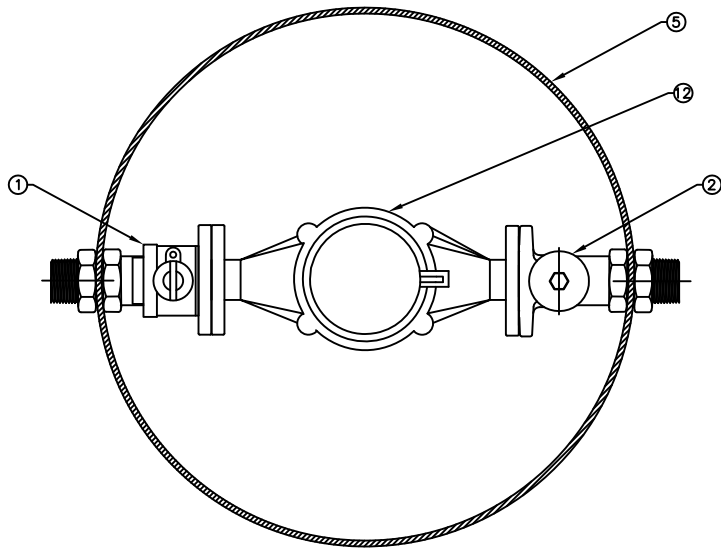
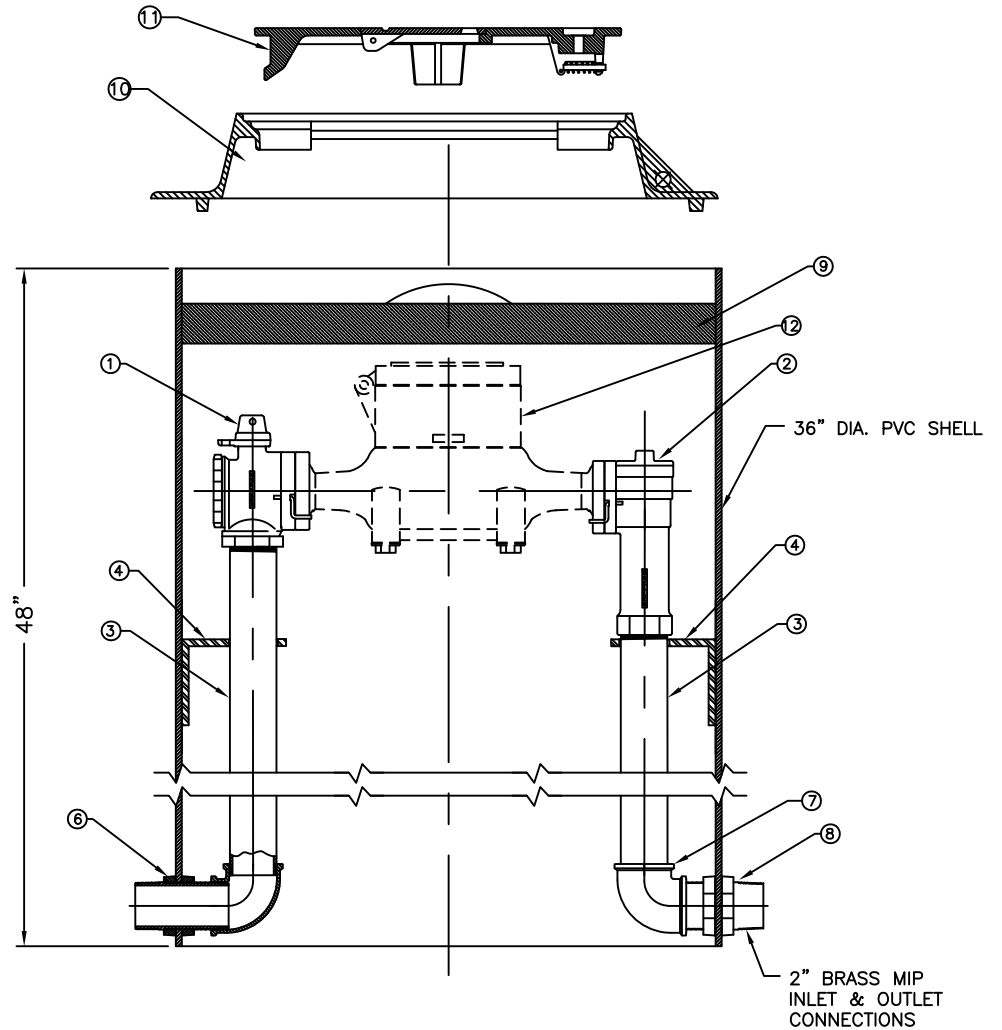


ITEM	DESCRIPTION	PART NO.	REQ'D
1	2" LOCKWING FULL PORT BALL VALVE	B2428601N	1
2	2" VERTICAL CHECK VALVE	H14460AN	1
3	RISER SUB ASSEMBLY		2
4	STABILIZING BRACKET		2
5	36" SHELL SUB-ASSEMBLY		1
6	2" HEX NUTS		4
7	2" ELBOW		2
8	2" NIPPLE		2
9	36" X 4" INSULATING PAD (OPTIONAL)	547743	----
10	36" CAST IRON FRAME (OPTIONAL)	790438	----
11	18" CAST IRON SIDE LOCKING LID (OPTIONAL)	282925	----
12	METER (NOT INCLUDED)		----

*NOTE: METER NOT INCLUDED



TOP VIEW



DRFTR	BBF	10/10/16	THIRD ANGLE PROJECTION	REF. NO.	SCALE
CHK'R					NONE
E.O. NUMBER				STOCK No.	
Mueller Co.			DESCR.	REV.	NUMBER
			2" VAULT SINGLE METER PIT 36" DIA X 48" DEPTH LOW LEAD BRASS		550VS3648FVBN
				SHEET 1 OF 1	

550VS3648FVBN

REV.	DESCRIPTION	REF.	DRFTR	CHK'R	APP	DATE