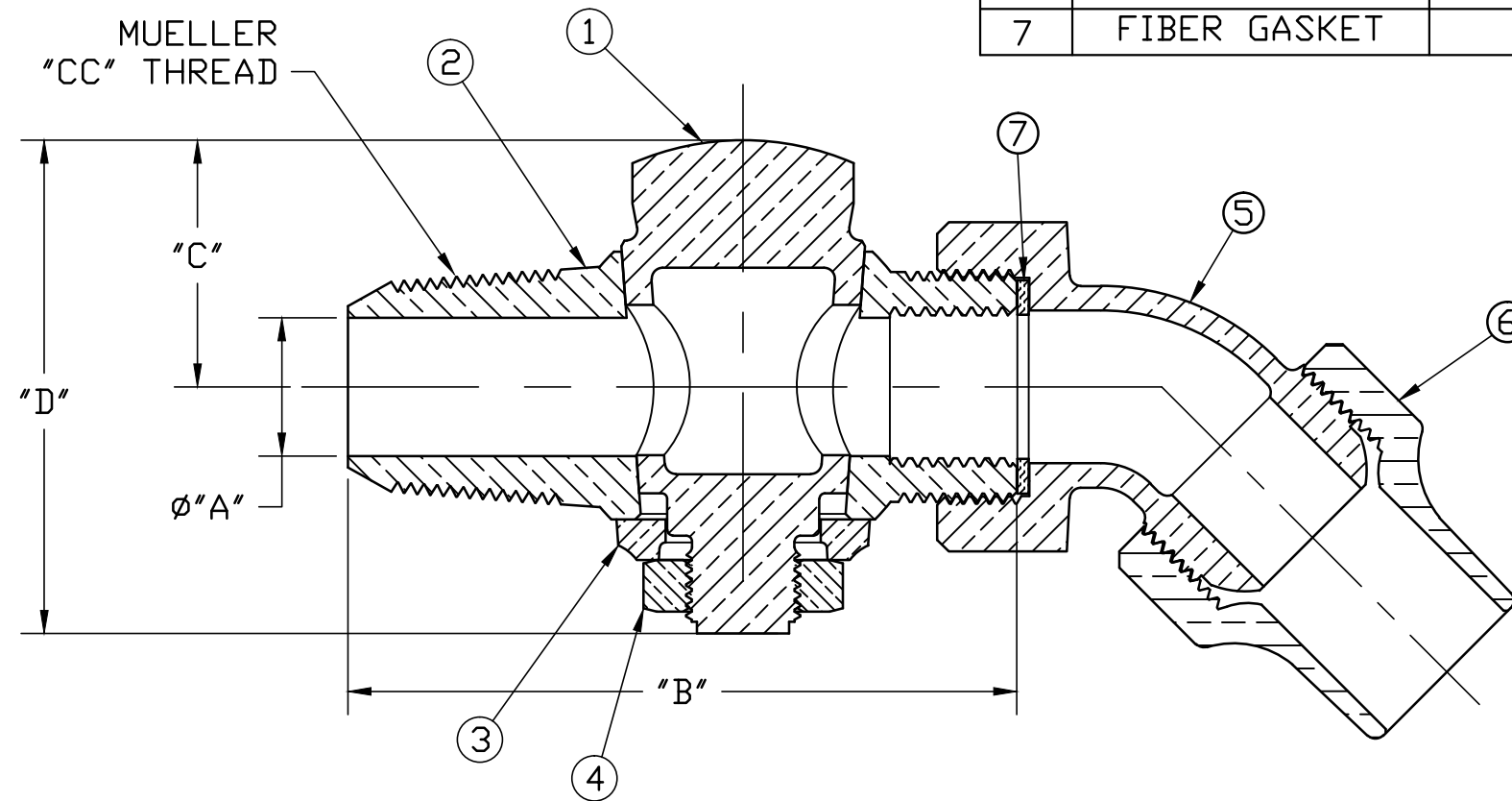


SIZE	ØA	B	C	D
3/4"	.750	3.629	1.300	2.675
1"	1.000	4.390	1.410	2.870

No.	DESCRIPTION	MATERIAL
1	KEY	CAST LOW LEAD BRASS ALLOY
2	BODY	CAST LOW LEAD BRASS ALLOY
3	KEY WASHER	CAST BRASS ASTM B62 ALLOY C83600
4	KEY NUT	CAST BRASS ASTM B62 ALLOY C83600
H15485N 1/8 BEND COUPLING		
5	SPUD	CAST LOW LEAD BRASS ALLOY
6	COPPER TUBE NUT	CAST BRASS ASTM B62 ALLOY C83600
7	FIBER GASKET	ASTM D170 VULCANIZED FIBER



ALL WETTED PARTS ARE LOW LEAD BRASS ALLOY

FILEPATH: PROD-ENG\MUELLER\ASYSUBMITTALS\H997105N

						DRFTR	RWB	2/21/17	Mueller Co.		
						CHKR					
						ENGR					
						MGR					
									UNLESS OTHERWISE NOTED	THIRD ANGLE PROJECTION	
									SURFACE PREPARATION:		
									BREAK CORNER(S) ---- .000		
									SURFACE FINISH -- XX RMS	REF. No.	SCALE
									TOLERANCE(S):		NONE
									LINEAR ----- ± .000		
									ANGULAR ----- ± 0°00'		
									STK No:		
									MAT'L:		
									DESCR.		
									CORP STOP VALVE W/ 1/8 BEND COUPLING	DWG NUMBER	
									("CC" x CS) LLB	H997105N	
									PER EST NO: DXXXX		
									EST FIN WT = 0.0000 lbs		

TITLE TO AND OWNERSHIP OF THIS ENGINEERING DATA REMAINS IN Mueller Co. NO USE IS TO BE MADE OF THIS DATA EXCEPT AS SPECIFICALLY AUTHORIZED BY Mueller Co. ASSENT ON THE PART OF THE RECIPIENT TO THESE CONDITIONS IS PRESUMED.

DWG NUMBER
H997105N
442-MRKTNG